

# BACK BAR STORAGE LIQUOR AND GLASS STORAGE CABINETS

MODEL: \_\_\_\_\_ PROJECT: \_\_\_\_\_ ITEM #: \_\_\_\_\_ QTY: \_\_\_\_\_

## PRODUCT IMAGE



KR-L24 shown with optional 4" legs

**AVAILABLE IN 18" & 24" SIZES**

## STANDARD FEATURES

- **Sides**  
20 gauge stainless steel
- **Back and Bottom**  
20 gauge galvanized back. 18 gauge galvanized bottom
- **Interior**  
20 gauge stainless steel  
28 1/2" High x 16" or 22" Wide front opening  
4 steps

## PRODUCT IMAGE



KR-G24 shown with optional 4" legs

**AVAILABLE IN 18" & 24" SIZES**

## STANDARD FEATURES

- **Sides**  
20 gauge stainless steel
- **Back and Bottom**  
20 gauge galvanized back. 18 gauge galvanized bottom
- **Interior**  
20 gauge stainless steel

## OPTIONAL ACCESSORIES

- |   |  |
|---|--|
| ■ <b>BB-100</b> Four 6" Stainless Steel Legs          | ■ <b>BB-108</b> Four 2" Casters with brakes          |
| ■ <b>BB-102</b> Four 4" Stainless Steel Legs          | ■ <b>BB-118</b> 18" Stainless Steel Front Kick Plate |
| ■ <b>BB-106</b> Left Side Stainless Steel Kick Plate  | ■ <b>BB-124</b> 24" Stainless Steel Front Kick Plate |
| ■ <b>BB-107</b> Right Side Stainless Steel Kick Plate | ■ <b>BB-125</b> Optional Stainless Steel Top         |

### APPROVED BY:

### CERTIFICATIONS:

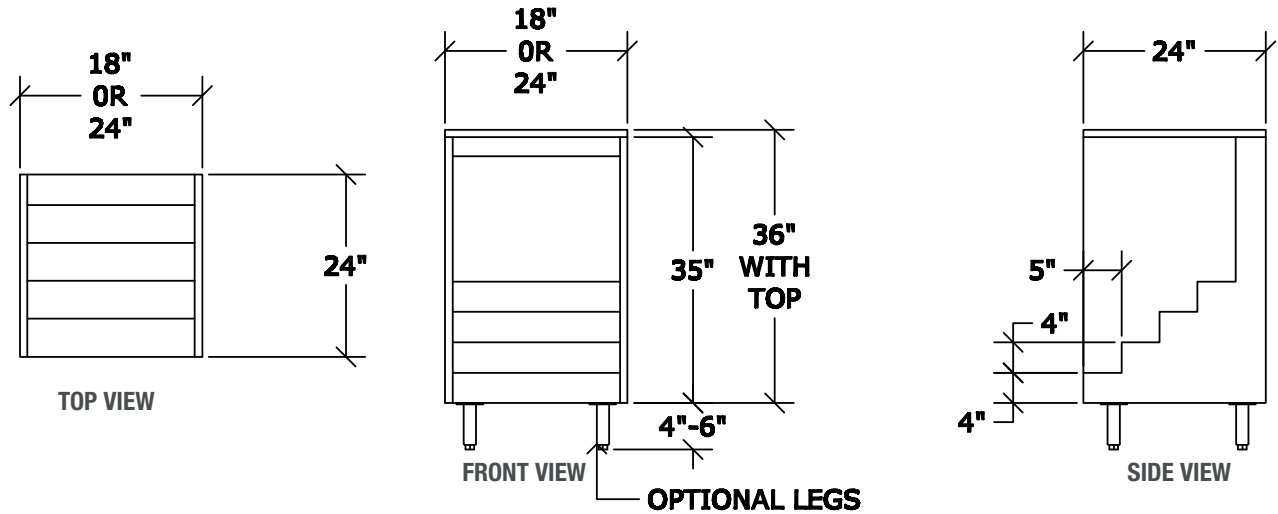
Due to our commitment to continued product improvement, specifications are subject to change without notice.



# BACK BAR STORAGE LIQUOR AND GLASS STORAGE CABINETS

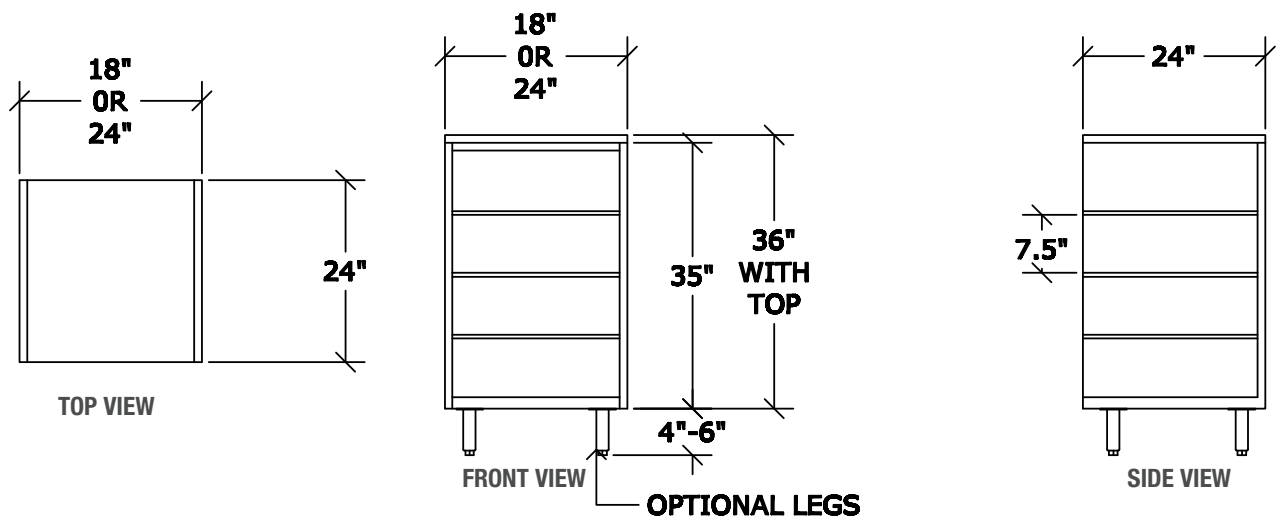
MODEL: \_\_\_\_\_ PROJECT: \_\_\_\_\_ ITEM #: \_\_\_\_\_ QTY: \_\_\_\_\_

## BACK BAR LIQUOR STORAGE



Model Numbers	Overall Length	Weight (lbs.)
KR-L18	1'-6"	105
KR-L24	2'-0"	125

## BACK BAR GLASS STORAGE



Model Numbers	Overall Length	Weight (lbs.)
KR-G18	1'-6"	110
KR-G24	2'-0"	130

### APPROVED BY:

### CERTIFICATIONS:

Due to our commitment to continued product improvement, specifications are subject to change without notice.