



# Heavy Duty Spreaders

> [Home](#) > [Medallion Hotel Ranges](#) > [Spreader Tops](#) > [Specifications](#)



HD11-SP-O  
HD11-SP-M  
HD17-SP-O  
HD17-SP-M  
HD34-SP-O  
HD34-SP-M



## Heavy Duty Spreaders

### Standard Features:

Stainless steel front and sides STANDARD  
6" (152mm) chrome steel adjustable legs  
Adjustable stainless steel front rail 6-1/16" (154mm) to 7-5/8" (194mm)  
Storage base interior is aluminized steel  
One year limited parts & labor warranty, (USA and Canada only)  
12 gauge stainless steel top front rail and work surface  
Spreaders available in 11", 17", 34" sizes  
.Available with cabinet bottom, modular top or as spreader plate  
1-1/4" NPT front manifold



### Optional Features:

Stainless steel back rear panel  
Rear gas connection on select models, 3/4" or 1" NPT  
End caps and cover (no charge)- Must specify  
Polyurethane non-marking swivel casters (2) w/front brakes  
Storage base shelf-aluminized or stainless steel  
Single deck stainless steel high shelf (on select models)  
Double deck stainless steel high shelf (on select models)  
10" (254 mm), 17" (432mm) 22.375" (568mm) 34.375" (873mm) high stainless steel backguard (on select models)  
Stainless steel vertical flue riser, 13" W x 34.375"H, (330mm x 873mm)



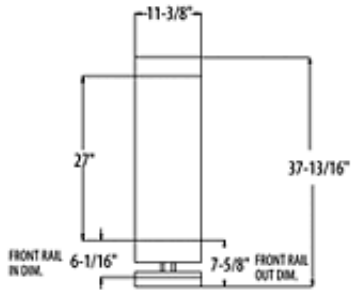
**Technical Specifications:**

**HD11-SP**

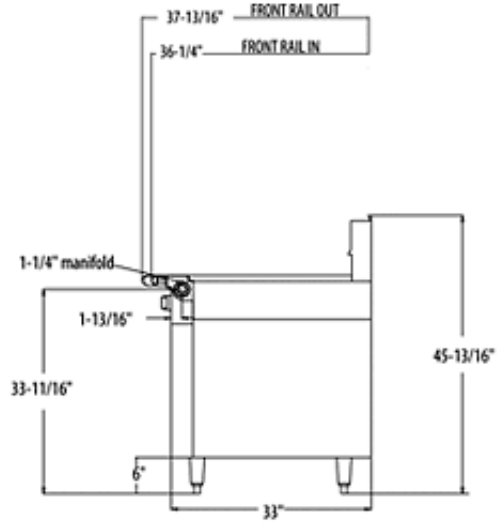
**Front**



**Top**



**Side**

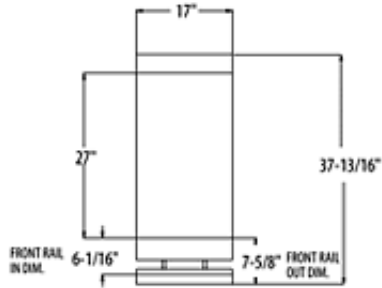


**HD17-SP**

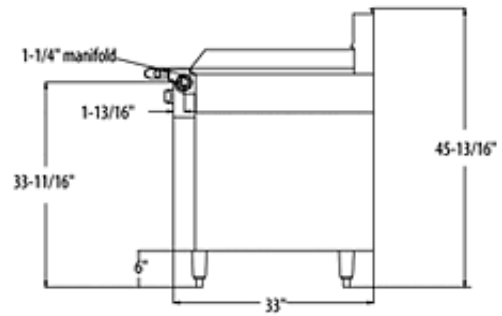
**Front**



**Top**

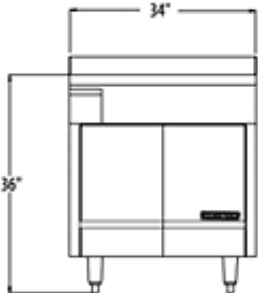


**Side**

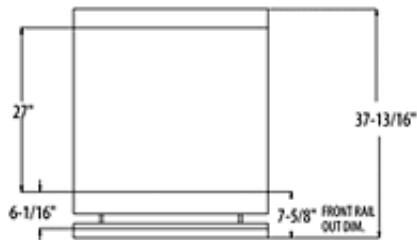


**HD34-SP**

**Front**



**Top**



**Side**

