

Indigo™ Series 606 Ice Cube Machine

Model: ID-0606A IY-0606A ID-0606W IY-0606W ID-0696N IY-0696N



Indigo Series i-606
Ice Machine on B-570 Bin

Designed for operators who know that ice is critical to their business, the Indigo™ Series ice machine's preventative diagnostics continually monitor itself for reliable ice production. Improvements in cleanability and programmability make your ice machine easy to own and less expensive to operate.

- **New Levels of Performance** – showcasing improved ambient ice production along with reductions in energy consumption: 10% Reduction in energy and 5% improvement in production on a weighted average basis for the i-600 series.
- **ENERGY STAR** – the i-600s exceeds ENERGY STAR™ standards and targets future energy efficiency standards.
- **Space-Saving Design** – Up to 635 lbs. (288 kgs) daily ice production and only 30" (76.20 cm) wide.
- **Intelligent Diagnostics** – provide 24 hour preventative maintenance and diagnostic feedback for trouble free operation.
- **Acoustical Ice Sensing Probe** – for reliable operation in challenging water conditions.
- **EasyRead Display** – communicates operating status, cleaning reminders, and asset information through a blue illuminated display.
- **Programmable Ice Production** – by On/Off Time, Ice Volume or Bin Level (with accessory bin level control) further improves energy efficiency and savings.
- **Easy to Clean Foodzone** – Hinged front door swings out for easy access. Removable water-trough, distribution tube, curtain, and sensing probes for fast and efficient cleaning. Select components made with AlphaSan® antimicrobial.
- **DuraTech™ Exterior** – provides superior corrosion resistance. Stainless finish with innovative clear-coat resists fingerprints and dirt.
- Available **LuminIce™ Growth Inhibitor** controls the growth of bacteria and yeast within the foodzone.

Ice Machine Electric

208-230/60/1 standard.
(230/50/1 also available)

Minimum circuit ampacity:	Maximum fuse size:
Air Cooled: 11.1	Air Cooled: 15
Water Cooled: 10.7	Water Cooled: 15
Remote: 11.7	Remote: 15

Specifications

BTU Per Hour:

11,800 (average)
13,700 (peak)

Refrigerant:

R-404A CFC-free

Operating Limits:

- Ambient Temperature Range: 35° to 110°F (1.7° to 43.3°C)
Water Temperature Range: 35° to 90°F (1.7° to 32.2°C)
- Water Pressure Ice Maker Water In:
Min. 20 psi (137.9 kPa)
Max. 80 psi (551.1 kPa)



Ice Shape



Half Dice
3/8" x 1 1/8" x 7/8"
(.95 x 2.86 x 2.22 cm)



Dice
7/8" x 7/8" x 7/8"
(2.22 x 2.22 x 2.22 cm)

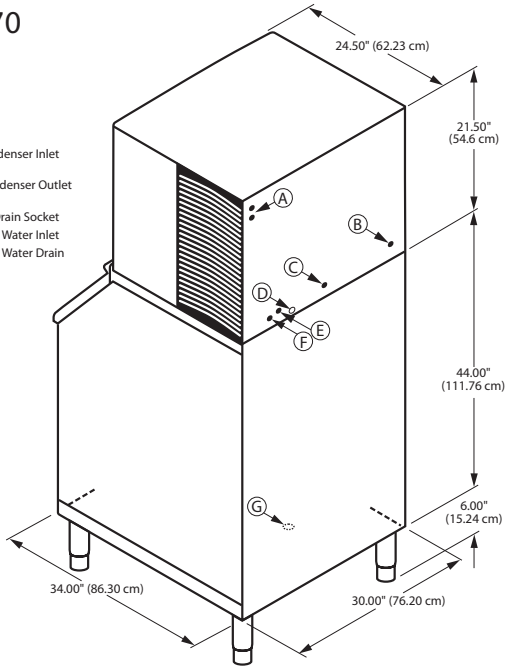




Indigo™ Series 606 Ice Cube Machine

i-606 on B-570 Storage Bin

- (A) Electrical Entrance (2) Options
- (B) 3/8" (0.95 cm) F.P.T. Water Condenser Inlet (water-cooled units)
- (C) 1/2" (1.27 cm) F.P.T. Water Condenser Outlet (water-cooled units)
- (D) 1/2" (1.27 cm) Auxillary Base Drain Socket
- (E) 3/8" (0.95 cm) F.P.T. Ice Making Water Inlet
- (F) 1/2" (1.27 cm) F.P.T. Ice Making Water Drain
- (G) 3/4" (1.91 cm) Bin Drain



Installation Note
Minimum installation clearance:
Top/sides: 8" (20.32 cm);
Back is 5" (12.7 cm)

Space-Saving Designs



	i-606 B-400	i-606 B-570
Height	59.50" 151.13 cm	71.50" 181.61 cm
Width	30.00" 76.20 cm	30.00" 76.20 cm
Depth	34.00" 86.30 cm	34.00" 86.30 cm
Bin Storage	290 lbs. 131.7 kgs	430 lbs. 195.2 kgs

Height includes adjustable bin legs 6.00" to 8.00", (15.24 to 20.32 cm) set at 6.00" (15.24 cm).

Kit K00347 ice deflector must be ordered separately if used with: non-Manitowoc bins, Manitowoc F-Style bins and Manitowoc B-750, B-1050, B-1100, and B-1400 bins.

Specifications

	Model	Ice Shape	Ice Production 24 Hours		Power Usage kWh/100 lbs. @90°Air/70°F 1 Ph	Potable Water Usage/100 lbs. 45.4 kgs of Ice 75.7 L	ENERGY STAR*
			70°Air/ 50°F Water 21° Air/10°C Water	90°Air/ 70°F Water 32° Air/21°C Water			
AIR-COOLED	ID-0606A	dice	632 lbs.	490 lbs.	5.41	20.0 Gal. 75.7 L	★
			287 kgs	222 kgs			
	IY-0606A	half-dice	635 lbs.	555 lbs.	5.29	20.0 Gal. 75.7 L	★
			288 kgs	252 kgs			
WATER-COOLED	ID-0606W	dice	661 lbs.	575 lbs.	4.44	20.0 Gal. 75.7 L	NA
			300 kgs	261 kgs			
	IY-0606W	half-dice	700 lbs.	580 lbs.	4.45	20.0 Gal. 75.7 L	NA
			318 kgs	263 kgs			
* Water-cooled Condenser Water Usage / 100 lbs. /45.4 kgs Of Ice: 140 gal./ 530 L. * Water-cooled models are excluded from ENERGY STAR qualification.							
REMOTE-COOLED	ID-0696N	dice	612 lbs.	535 lbs.	5.85	20.0 Gal. 75.70 L	★
			278 kgs	243 kgs			
	IY-0696N	half-dice	642 lbs.	565 lbs.	5.76	20.0 Gal. 75.7 L	★
			291 kgs	256 kgs			

Order ice storage bin separately. Ice storage bin and JC-0895 remote condenser must be ordered separately. Consult remote condenser specification sheet for details.

Accessories

LuminIce™ Growth Inhibitor reduces yeast and bacteria growth for a cleaner ice machine.



Bin Level Control Allows ice bin level to be automatically set. Built-in LED light illuminates bin.



Arctic Pure® Water Filters Reduces sediment and chlorine odors for better tasting ice.



iAuCS® schedules and performs routine ice machine cleaning automatically.



2110 South 26th Street
PO Box 1720
Manitowoc, WI 54221-1720 USA

Tel: 1.920.682.0161
Fax: 1.920.683.7589
www.manitowocice.com

