

# Indigo™ Series 1000 Ice Cube Machine

Model:  ID-1002A  IY-1004A  ID-1003W  IY-1005W  ID-1092N  IY-1094N



Indigo Series i-1000  
Ice Machine on B-570 Bin

Designed for operators who know that ice is critical to their business, the Indigo™ Series ice machine's preventative diagnostics continually monitor itself for reliable ice production. Improvements in cleanability and programmability make your ice machine easy to own and less expensive to operate.

- **Space-Saving Design** – Up to 1,020 lbs. (463 kgs.) daily ice production and only 30" (76.20 cm) wide.
- **Intelligent Diagnostics** – provide 24 hour preventative maintenance and diagnostic feedback for trouble free operation.
- **Acoustical Ice Sensing Probe** – for reliable operation in challenging water conditions.
- **EasyRead Display** – communicates operating status, cleaning reminders, and asset information through a blue illuminated display.
- **Programmable Ice Production** – by On/Off Time, Ice Volume or Bin Level (with accessory bin level control) further improves energy efficiency and savings.
- **Easy to Clean Foodzone** – Hinged front door swings out for easy access. Removable water-trough, distribution tube, curtain, and sensing probes for fast and efficient cleaning. Select components made with AlphaSan® antimicrobial.
- **DuraTech™ Exterior** – provides superior corrosion resistance. Stainless finish with innovative clear-coat resists fingerprints and dirt.
- Available **LuminIce™ Growth Inhibitor** controls the growth of bacteria and yeast within the foodzone.

## Ice Machine Electric

208-230/60/1 standard  
(208-230/60/3 and 230/50/1 also available.)

### Minimum circuit ampacity:

|               |          |         |
|---------------|----------|---------|
| Air-cooled:   | 13.5 1ph | 9.5 3ph |
| Water-cooled: | 9.7 1ph  | 8.5 3ph |
| Remote:       | 10.7 1ph | 9.5 3ph |

### Maximum fuse size:

|               |        |        |
|---------------|--------|--------|
| Air-cooled:   | 20 1ph | 15 3ph |
| Water-cooled: | 15 1ph | 15 3ph |
| Remote:       | 15 1ph | 15 3ph |

## Specifications

### BTU Per Hour:

16,250 (average) 18,600 (peak)

### Refrigerant:

R-404A CFC-free

### Operating Limits:

- Ambient Temperature Range: 35° to 110°F (1.7° to 43.3°C)  
Water Temperature Range: 35° to 90°F (1.7° to 32.2°C)
- Water Pressure Ice Maker Water In:  
Min. 20 psi (137.9 kPa)  
Max. 80 psi (551.1 kPa)



## Ice Shape



**Half Dice**  
3/8" x 1 1/8" x 7/8"  
(.95 x 2.86 x 2.22 cm)



**Dice**  
7/8" x 7/8" x 7/8"  
(2.22 x 2.22 x 2.22 cm)



2110 South 26th Street  
PO Box 1720  
Manitowoc, WI 54221-1720 USA

Tel: 1.920.682.0161  
Fax: 1.920.683.7589

www.manitowocice.com

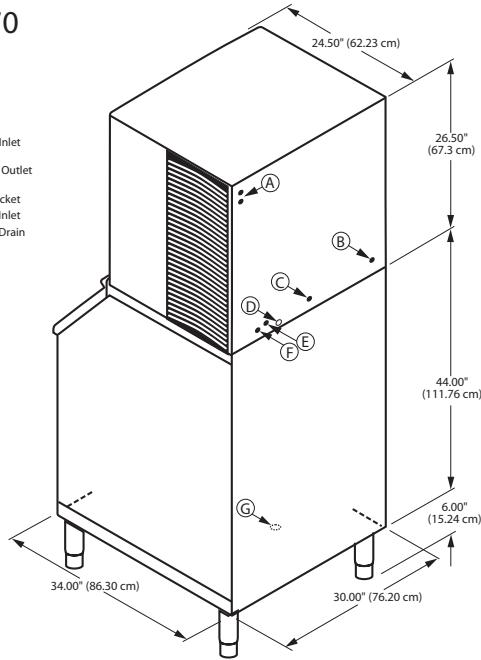




# Indigo™ Series 1000 Ice Cube Machine

## i-1000 on B-570 Storage Bin

- Ⓐ Electrical Entrance (2) Options
- Ⓑ 3/8" (0.95 cm) F.P.T. Water Condenser Inlet (water-cooled units)
- Ⓒ 1/2" (1.27 cm) F.P.T. Water Condenser Outlet (water-cooled units)
- Ⓓ 1/2" (1.27 cm) Auxillary Base Drain Socket
- Ⓔ 3/8" (0.95 cm) F.P.T. Ice Making Water Inlet
- Ⓕ 1/2" (1.27 cm) F.P.T. Ice Making Water Drain
- Ⓖ 3/4" (1.91 cm) Bin Drain



**Installation Note**  
Minimum installation clearance:  
Top/sides: 8" (20.32 cm);  
Back is 5" (12.7 cm)

## Space-Saving Designs



|             | <b>i-1000 B-570</b>  | <b>i-1000 B-970*</b>   |
|-------------|----------------------|------------------------|
| Height      | 76.50"<br>194.30 cm  | 76.50"<br>194.30 cm    |
| Width       | 30.00"<br>76.20 cm   | 48.00"<br>121.92 cm    |
| Depth       | 34.00"<br>86.30 cm   | 34.00"<br>86.30 cm     |
| Bin Storage | 430 lbs.<br>195 kgs. | 710 lbs.<br>322.2 kgs. |

Height includes adjustable bin legs 6.00" to 8.00", (15.24 to 20.32 cm) set at 6.00" (15.24 cm).

\*K-00370 bin adapter required.

## Specifications

|   | Model    | Ice Shape | Ice Production 24 Hours |                    | Power Usage kWh/100 lbs. @90°Air/70°F |      | Water Usage/ 100 lbs. 45.4 kgs. of Ice | ENERGY STAR* |
|---|----------|-----------|-------------------------|--------------------|---------------------------------------|------|--|--------------|
|   |          |           | 70°Air/ 50°F Water      | 90°Air/ 70°F Water | 1 Ph                                  | 3 Ph | Potable Water                          |              |
| <b>AIR-COOLED</b>   | ID-1002A | dice      | 990 lbs.                | 735 lbs.           | 5.41                                  | 5.41 | 19.8 Gal.                              | ★            |
|   |          |           | 449 kgs.                | 333 kgs.           |                                       |      | 75.0 L                                 |              |
| <b>AIR-COOLED</b>   | IY-1004A | half-dice | 1,010 lbs.              | 745 lbs.           | 5.36                                  | 5.36 | 19.8 Gal.                              | ★            |
|   |          |           | 458 kgs.                | 338 kgs.           |                                       |      | 75.0 L                                 |              |
| <b>WATER-COOLED</b>   | ID-1003W | dice      | 1,000 lbs.              | 855 lbs.           | 4.23                                  | 4.23 | 19.8 Gal.                              | NA           |
|   |          |           | 454 kgs.                | 388 kgs.           |                                       |      | 75.0 L                                 |              |
| <b>WATER-COOLED</b>   | IY-1005W | half-dice | 1,010 lbs.              | 870 lbs.           | 4.07                                  | 4.07 | 19.8 Gal.                              | NA           |
|   |          |           | 458 kgs.                | 395 kgs.           |                                       |      | 75.0 L                                 |              |
| * Water-cooled Condenser Water Usage / 100 lbs. /45.4 kgs. Of Ice: 180 gal/681 L. |          |           |                         |                    |                                       |      |  |              |
| * Water-cooled models are excluded from ENERGY STAR qualification.                |          |           |                         |                    |                                       |      |  |              |
| <b>REMOTE-COOLED</b>  | ID-1092N | dice      | 960 lbs.                | 725 lbs.           | 5.50                                  | 5.50 | 19.8 Gal.                              | ★            |
|   |          |           | 435 kgs.                | 329 kgs.           |                                       |      | 75.0 L                                 |              |
| <b>REMOTE-COOLED</b>  | IY-1094N | half-dice | 1,020 lbs.              | 775 lbs.           | 5.28                                  | 5.28 | 19.8 Gal.                              | ★            |
|   |          |           | 463 kgs.                | 352 kgs.           |                                       |      | 75.0 L                                 |              |

Order ice storage bin separately. Ice storage bin and JC-0895 remote condenser must be ordered separately. Consult remote condenser specification sheet for details. To order 3 phase add "3" suffix to model # (ID-1002A3).

## Accessories

**LuminIce™ Growth Inhibitor** reduces yeast and bacteria growth for a cleaner ice machine.



**Bin Level Control** Allows ice bin level to be automatically set. Built-in LED light illuminates bin.



**Arctic Pure® Water Filters** Reduces sediment and chlorine odors for better tasting ice.



**AuCS®** schedules and performs routine ice machine cleaning automatically.



2110 South 26th Street  
PO Box 1720  
Manitowoc, WI 54221-1720 USA

Tel: 1.920.682.0161  
Fax: 1.920.683.7589  
www.manitowocice.com

