

Indigo™ Series 906 Ice Cube Machine

Model: IR-0906A ID-0906A IY-0906A IR-0906W ID-0906W IY-0906W
 IR-0996N ID-0996N IY-0996N



Indigo Series i-906
Ice Machine on B-570 Bin

Designed for operators who know that ice is critical to their business, the Indigo™ Series ice machine's preventative diagnostics continually monitor itself for reliable ice production. Improvements in cleanability and programmability make your ice machine easy to own and less expensive to operate. New Levels of Performance—showcasing improved ice harvest along with reductions in energy consumption.

- **ENERGY STAR** – the i-906 exceeds ENERGY STAR standards and targets future energy efficiency standards.
- **Space-Saving Design** – Up to 901 lbs. (409 kg) daily ice production and only 30" (76.20 cm) wide.
- **Intelligent Diagnostics** – provide 24 hour preventative maintenance and diagnostic feedback for trouble free operation.
- **Acoustical Ice Sensing Probe** – for reliable operation in challenging water conditions.
- **EasyRead Display** – communicates operating status, cleaning reminders, and asset information through a blue illuminated display.
- **Programmable Ice Production** – by On/Off Time, Ice Volume or Bin Level (with accessory bin level control) further improves energy efficiency and savings.
- **Easy to Clean Foodzone** – Hinged front door swings out for easy access. Removable water-trough, distribution tube, curtain, and sensing probes for fast and efficient cleaning. Select components made with AlphaSan® antimicrobial.
- **DuraTech™ Exterior** – provides superior corrosion resistance. Stainless finish with innovative clear-coat resists fingerprints and dirt.
- Available **LuminIce™ Growth Inhibitor** controls the growth of bacteria and yeast within the foodzone.

Specifications

BTU Per Hour:

12,700 (average)
14,800 (peak)

Refrigerant:

R-404A CFC-free

Operating Limits:

Ambient Temperature Range:
35° to 110°F (1.7° to 43.3°C)
Water Temperature Range:
35° to 90°F (1.7° to 32.2°C)
Water Pressure Ice Maker Water In:
Min. 20 psi (137.9 kPa)
Max. 80 psi (551.1 kPa)

Ice Machine Electric

208-230/60/1
(208-230/60/3 and 230/50/1 also available)

Minimum circuit ampacity:

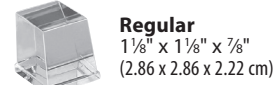
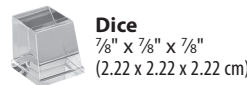
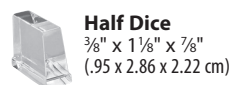
Air-cooled: 12.2 1ph 9.7 3ph
Water-cooled: 11.2 1ph 8.7 3ph
Remote: 12.2 1ph 9.7 3ph

Maximum fuse size:

Air-cooled: 20 1ph 15 3ph
Water-cooled: 20 1ph 15 3ph
Remote: 20 1ph 15 3ph



Ice Shape



COMPANY WITH QUALITY SYSTEM CERTIFIED BY DNV = ISO 9001:2008 =

2110 South 26th Street
PO Box 1720
Manitowoc, WI 54221-1720 USA

Tel: 1.920.682.0161
Fax: 1.920.683.7589

www.manitowocice.com

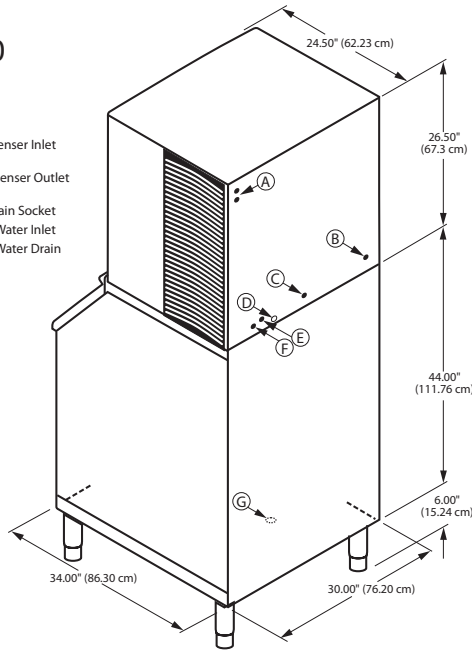




Indigo™ Series 906 Ice Cube Machine

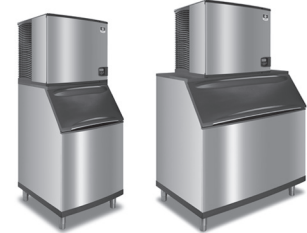
i-906 on B-570 Storage Bin

- (A) Electrical Entrance (2) Options
- (B) 3/8" (0.95 cm) F.P.T. Water Condenser Inlet (water-cooled units)
- (C) 1/2" (1.27 cm) F.P.T. Water Condenser Outlet (water-cooled units)
- (D) 1/2" (1.27 cm) Auxillary Base Drain Socket
- (E) 3/8" (0.95 cm) F.P.T. Ice Making Water Inlet
- (F) 1/2" (1.27 cm) F.P.T. Ice Making Water Drain
- (G) 3/4" (1.91 cm) Bin Drain



Installation Note
Minimum installation clearance:
Top/sides: 8" (20.32 cm);
Back is 5" (12.7 cm)

Space-Saving Designs



	i-906 B-570	i-906 B-970*
Height	76.50" 194.30 cm	76.50" 194.30 cm
Width	30.00" 76.20 cm	48.00" 121.92 cm
Depth	34.00" 86.30 cm	34.00" 86.30 cm
Bin Storage	430 lbs. 195 kgs.	710 lbs. 322.2 kgs.

Height includes adjustable bin legs 6.00" to 8.00", (15.24 to 20.32 cm) set at 6.00" (15.24 cm).

*For comparison purposes multiply ARI capacity by 1.3 (30%) to arrive at approximate "Application Rating Capacity."

Specifications

	Model	Ice Shape	Ice Production 24 Hours				Power Usage kWh/100 lbs.@90°Air/70°F		Water Usage/100 lbs. 45.4 kgs. of Ice		ENERGY STAR®
			70°Air/ 50°F Water	90°Air/ 70°F Water	1 Ph	3 Ph	Potable Water				
AIR-COOLED	IR-0906A	regular	797 lbs	362 kg	639 lbs	290 kg	5.33	5.33	19 Gal.	71.9 L	★
	ID-0906A	dice	874 lbs	396 kg	664 lbs	301 kg	5.10	5.10	19 Gal.	71.9 L	★
	IY-0906A	half-dice	901 lbs	409 kg	710 lbs	322 kg	5.02	5.02	19 Gal.	71.9 L	★
WATER-COOLED	IR-0906W	regular	773 lbs	351 kg	683 lbs	310 kg	4.20	4.20	19 Gal.	71.9 L	NA
	ID-0906W	dice	839 lbs	381 kg	701 lbs	318 kg	4.35	4.35	19 Gal.	71.9 L	NA
	IY-0906W	half-dice	879 lbs	399 kg	786 lbs	357 kg	4.04	4.04	19 Gal.	71.9 L	NA
* Water-cooled Condenser Water Usage / 100 lbs. /45.4 kgs. Of Ice: 150 gal/568 L. * Water-cooled models are excluded from ENERGY STAR qualification.											
REMOTE-COOLED	IR-0996N	regular	753 lbs	342 kg	665 lbs	302 kg	5.29	5.29	19 Gal.	71.9 L	★
	ID-0996N	dice	821 lbs	372 kg	727 lbs	330 kg	4.91	4.91	19 Gal.	71.9 L	★
	IY-0996N	half-dice	855 lbs	388 kg	752 lbs	341 kg	4.90	4.90	19 Gal.	71.9 L	★

Order ice storage bin separately. Ice storage bin and JC-0995 remote condenser must be ordered separately. Consult remote condenser specification sheet for details. To order 3 phase add "3" suffix to model # (ID-0906A3).

Accessories

LuminIce™ Growth Inhibitor reduces yeast and bacteria growth for a cleaner ice machine.



Bin Level Control Allows ice bin level to be automatically set. Built-in LED light illuminates bin.



Arctic Pure® Water Filters Reduces sediment and chlorine odors for better tasting ice.



AuCS® schedules and performs routine ice machine cleaning automatically.



2110 South 26th Street
PO Box 1720
Manitowoc, WI 54221-1720 USA

Tel: 1.920.682.0161
Fax: 1.920.683.7589
www.manitowocice.com

