



# Q-210/270 Ice Cube Machines

## Models

- |                                   |                                   |                                   |                                   |
|-----------------------------------|-----------------------------------|-----------------------------------|-----------------------------------|
| <input type="checkbox"/> QD-0212A | <input type="checkbox"/> QY-0214A | <input type="checkbox"/> QD-0272A | <input type="checkbox"/> QY-0274A |
| <input type="checkbox"/> QD-0213W | <input type="checkbox"/> QY-0215W | <input type="checkbox"/> QD-0273W | <input type="checkbox"/> QY-0275W |



Q-210



Q-270

### Refreshing! The New Manitowoc Undercounters

- |  |   |
|--|---|
| <ul style="list-style-type: none"> <li>Up to 220 lbs. (100 kgs) daily ice production</li> <li>Up to CEE Tier 2 energy and water use rating</li> <li>Only 26" (66.04 cm) wide, 26.50" (67.31 cm) deep, and 38.50" (82.55 cm) high on 6" (15.24 cm) legs</li> <li>80 lb. (36.6 kg) ice storage capacity</li> </ul> | <ul style="list-style-type: none"> <li>Up to 290 lbs. (132 kgs) daily ice production</li> <li>Only 30" (76.2 cm) wide, 28.16" (71.52 cm) deep, and 38.50" (97.79 cm) high on 6" (15.24 cm) legs</li> <li>100 lb. (45.45 kg) ice storage capacity</li> </ul> |
|--|---|

## Standard Features

- Wide Assortment** - undercounter sizes to meet every ice need
- Updated Aesthetics** - Clean, crisp coordinated bin interior
- Convenient Access to Ice** - Ergonomic angled bin door providing visibility and easy access to ice without bending over
- Enhanced Function** - EZ slide door elevates the user experience and improves product reliability
- Improved Sanitation** - AlphaSan® added to key internal components to extend time between cleanings
- Simplified Installation** - New flat right angle plug for easier installation in tight spaces
- Manitowoc proven vertical evaporator using proprietary technology – made in Manitowoc, WI.
- Bin door slides up and out of the way for maximum access
- Stainless steel exterior
- Patented cleaning and sanitizing technology
- R-404A CFC-free refrigerant

## Warranty

- 5-year parts and 5-year labor coverage on ice machine evaporator
- 5-year parts and 3-year labor coverage on ice machine compressor
- 3-year parts-and-labor coverage on all other ice machine, dispenser, and storage bin components

## Specifications

### BTU Per Hour:

Q-210: 2,400 (average)  
3,400 (peak)

Q-270: 3,800 (average)  
6,000 (peak)

### Compressor:

Nominal rating: 1/3 HP

### Cupra-Nickel Condenser:

(Water-cooled models)  
Adds protection from corrosive water elements.

### Operating Limits:

- Ambient Temperature Range: 40° to 110°F (4.4° to 43.3°C)

- Water Temperature Range: 45° to 90°F (4.4° to 32.2°C)

- Water Pressure Ice Maker Water In:  
Min. 20 psi (137.9 kPa)  
Max. 80 psi (551.1 kPa)

- Condenser Inlet Water In: (Water-cooled only)  
Min. 20 psi (137.9 kPa)  
Max. 150 psi (1,034.2 kPa)

## Ice Shape



Half Dice  
3/8" x 1 1/8" x 7/8"  
(.95 x 2.86 x 2.22 cm)



Dice  
7/8" x 7/8" x 7/8"  
(2.22 x 2.22 x 2.22 cm)

## Ice Machine Electric

115/60/1. (208-230/60/1 and 230/50/1 available.) 115/60/1 ice machines are factory pre-wired with a 6' (180 cm) power cord and NEMA 5-15P-plug configuration. 208-230/60/1 ice machines are factory pre-wired with a 6' (180 cm) power cord only, no plug is supplied.

### Total Amps:

Q-210: 115/60/1: Air-cooled: 6.5 amps / Water-cooled: 6.1 amps  
208-230/60/1: Air-cooled: 3.6 amps / Water-cooled: 3.1 amps

Q-270: 115/60/1: Air-cooled: 10.7 amps. / Water-cooled: 9.9 amps.  
208-230/60/1: Air-cooled: 5.2 amps / Water-cooled: 4.7 amps

### Maximum fuse size:

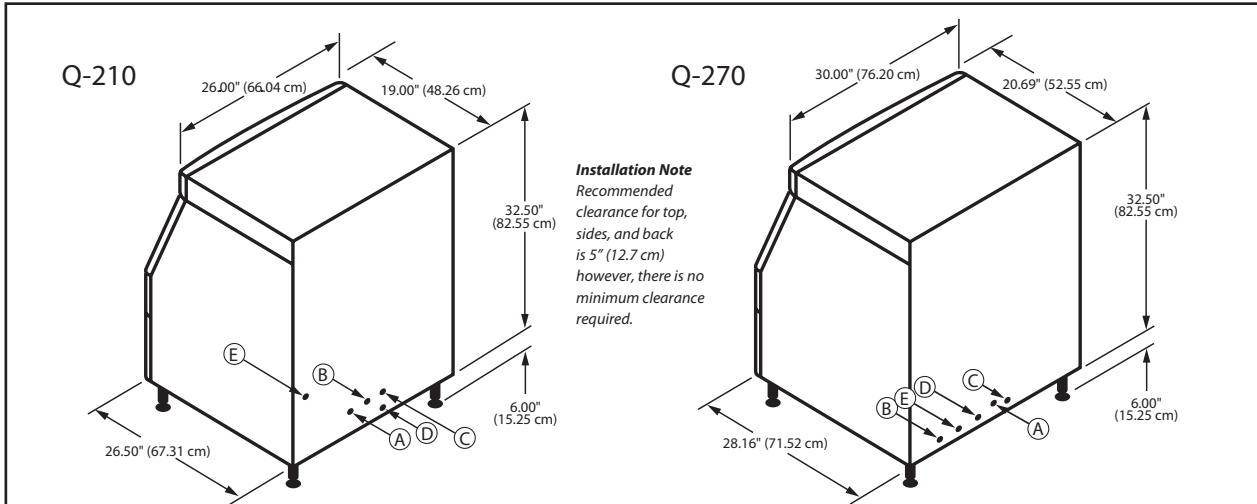
Air and Water-cooled: 15 amps

HACR-type circuit breakers can be used in place of fuses.





# Q-210/270 Ice Cube Machines



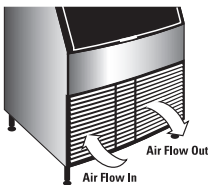
**Installation Note**  
 Recommended clearance for top, sides, and back is 5" (12.7 cm) however, there is no minimum clearance required.

- (A) Electrical Entrance (2) Options
- (D) 3/8" (0.95 cm) F.P.T. Water Condenser Inlet (water-cooled units)
- (B) 3/8" (0.95 cm) F.P.T. Ice Making Water Inlet
- (E) 1/2" (1.27 cm) F.P.T. Ice Bin Drain
- (A) Electrical Entrance (2) Options
- (D) 3/8" (0.95 cm) F.P.T. Water Condenser Inlet (water-cooled units)
- (B) 1/2" (0.95 cm) F.P.T. Ice Making Water Inlet
- (E) 1/2" (1.27 cm) F.P.T. Ice Bin Drain
- (C) 1/2" (1.27 cm) F.P.T. Minimum Water Condenser Outlet (water-cooled units)
- (C) 1/2" (1.27 cm) F.P.T. Minimum Water Condenser Outlet (water-cooled units)

## Specifications

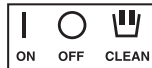
Model	Ice Shape	Ice Production 24 Hours				Power kWh/100 lbs. @ 90°/70°	Potable water usage gal/100 lbs. ice @ 90°/70°F	ENERGY STAR®
		70° F Air 50° F Water		90° F Air 70° F Water				
		lbs.	kgs	lbs.	kgs			
QD-0212A	dice	215	98	147	67	10.3	34	★
QD-0213W	dice	220	100	181	82	7.1	34	
QY-0214A	half-dice	215	98	147	67	10.3	34	★
QY-0215W	half-dice	220	100	181	82	7.1	34	
QD-0272A	dice	280	127	204	93	9.5	32	
QD-0273W	dice	290	132	233	106	7.7	32	
QY-0274A	half-dice	280	127	204	93	9.5	32	
QY-0275W	half-dice	290	132	233	106	7.7	32	
Water usage/100 lbs./45.4 kgs of Ice								
Water-cooled Condenser: Q-210: 149 gal. / 537 liters • Q-270: 175 gal. / 662 liters								

### Air Flow Top View



Air in left, air out right, no side vents. Great for installation under countertops and next to other equipment.

### Front Access



Initiate ice, off and clean operations with simple upfront selector switch. No need to remove front panel.

### Air Filter



Slides out from left side front without tools, easy to clean, reusable filter protects condenser from lint, grease and dust.