

**Only 22" wide**

## QPA-160 Ice Dispenser



Q-Model Series 320 Ice Cube Machine  
QPA-160 "Push for Ice" Ice Dispenser

- Designed for ice bucket or glass filling in hotels and cafeterias
- 120 lbs. (54 kgs.) ice storage capacity. Accepts 22" (55.88 cm) Manitowoc ice machine
- Only 22" (55.88 cm) wide, 30" (76.20 cm) deep, and 75.5" (191.77 cm) high
- Stainless steel exterior with gray accents and rounded front blends with any decor
- Patented "Push For Ice" rocking chute dispense mechanism reduces in-flight ice and ice spillage with quick on/off activation
- Efficient built-in agitator assures 100% dispensing. Polyethylene bin liner and polyurethane insulation keep ice longer
- Push for ice, coin-op and room card dispensing control models
- Warranty
  - 5-year parts and 5-year labor coverage on ice machine evaporator
  - 5-year parts and 3-year labor coverage on ice machine compressor
  - 3 year parts-and-labor coverage on all other ice machine and dispenser components



ISO 9001  
Quality  
System  
Certified

**THE RIGHT CLIMATE FOR LEADERSHIP**

**Manitowoc®**

ICE CUBE MACHINES • ICE DISPENSERS

# Manitowoc QPA-160 Ice Dispenser

Designed for ice bucket filling in hotels, motels, and resorts.


120 lbs. (54 kgs.) storage capacity.

## SERIES 320 (115V)

24-HOUR PRODUCTION								lbs. kgs.
AIR-COOLED UNIT				WATER-COOLED UNIT				
air temp	water temp			air temp	water temp			
°F	50°	70°	90°	°F	50°	70°	90°	
°C	10°	21°	32°	°C	10°	21°	32°	
70°	310	290	270	70°	300	280	250	
21°	141	132	123	21°	136	127	114	
80°	280	260	240	80°	290	270	240	
27°	127	118	109	27°	132	123	109	
90°	240	220	200	90°	280	260	230	
32°	109	100	91	32°	127	118	104	

## SERIES 420 (115V)

24-HOUR PRODUCTION								lbs. kgs.
AIR-COOLED UNIT				WATER-COOLED UNIT				
air temp	water temp			air temp	water temp			
°F	50°	70°	90°	°F	50°	70°	90°	
°C	10°	21°	32°	°C	10°	21°	32°	
70°	530	480	440	70°	520	460	420	
21°	241	218	200	21°	236	209	191	
80°	480	430	400	80°	510	450	410	
27°	218	195	182	27°	232	204	186	
90°	430	380	350	90°	500	440	400	
32°	195	173	159	32°	227	200	182	

 Certified In Accordance With ARI Ice Storage Bins Certification Program, which is based on ARI Standard 820

Note: Dispenser will accept single 22" wide ice machine. Ice machine ordered separately. Choose Dice or Half Dice cube size. Refer to ice machine specification sheet for electrical and complete ARI standard ratings.

Dispenser Electric: 115/60/1. (208-230/60/1 and 230/50/1 also available.)

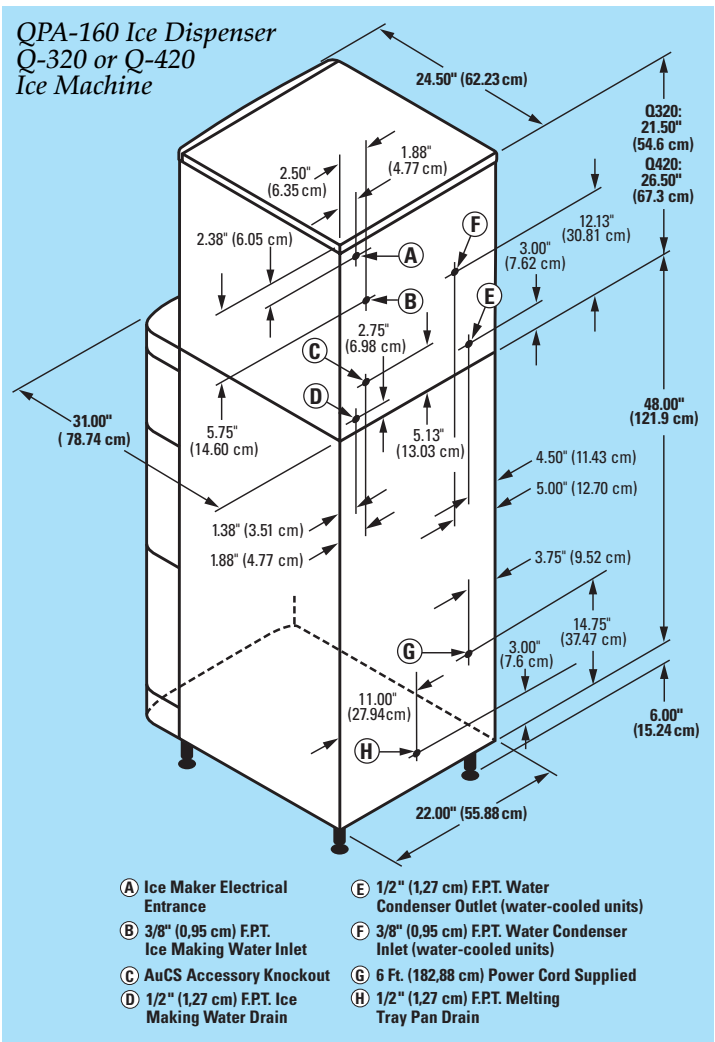
Maximum Circuit Fuse Size: 15.0 amps. HACR-type circuit breakers can be used in place of fuses.

Dispenser Electrical Connection: 6' power cord, rated 125 VAC, 16-3 conductors with standard 3-prong, straight-blade, ground-type plug (NEMA configuration 5-15P).

Motor: 1.6 amps maximum. Permanently lubricated.

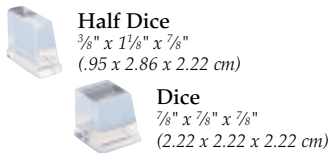
Service Access: Dispenser door removes easily to access components.

Models: QPA-160 push for ice rocking chute, QCA-163 coin-op and QRA-164 room card control available. To field-convert QPA-160 to QRA-164, call factory for information.



Installation Note - Dispensers have no minimum clearance, when installing an ice machine/dispenser combination follow the clearance requirements for the ice machine being installed.

### 2 Cube Sizes Available



### AuCS® Accessory



### Options



**THE RIGHT CLIMATE FOR LEADERSHIP**

Consult your local Manitowoc Representative:

Manitowoc Ice, Inc.  
2110 South 26th Street, P.O. Box 1720 • Manitowoc, WI 54221-1720, USA  
Ph: 920-682-0161 • Fax: 920-683-7589  
[www.manitowocice.com](http://www.manitowocice.com)

©2000 Manitowoc 9485B - 6/00  
Continuing product improvement may necessitate change of specifications without notice.

