



# SPA-160 • SFA-191 Ice Dispensers

Model

- SPA-160     SFA-191

**ONLY 22" WIDE**

**SPA Model**

Designed for ice bucket filling in hotels, motels, and resorts

Ice only dispense, with coin-op and room card dispensing control options



Indigo Series 522 Ice Machine  
SPA-160 Ice Dispenser

**SFA Model**

Designed for "large" container ice filling. Accepts up to 10.5" (26.67 cm) high container

Built-in water valve



Indigo Series 522 Ice Machine  
SFA-191 Ice & Water Dispenser

**Standard Features**

- 120 lbs. (54.4 kgs.) ice storage capacity. Accepts 22" (55.88 cm) wide Manitowoc ice machine.
- Only 22" (55.88 cm) wide, 31" (78.7 cm) deep, and 75.5" high (191.77 cm).
- Patented rocking chute dispense mechanism reduces in-flight ice and ice spillage with quick on/off activation.
- Efficient built-in agitator assures 100% dispensing. Oversized drain pan collects larger quantity of ice overflow.
- DuraTech™ exterior provides superior corrosion resistance. Stainless finish with innovative clear-coat resists fingerprints and dirt.

**Warranty**

- 5-year parts and 5-year labor coverage on ice machine evaporator.
- 5-year parts and 3-year labor coverage on ice machine compressor.
- 3-year parts-and-labor coverage on all other ice machine and dispenser components.

**Ice Shape**



**Half Dice**  
3/8" x 1 1/8" x 7/8"  
(.95 x 2.86 x 2.22 cm)



**Dice**  
7/8" x 7/8" x 7/8"  
(2.22 x 2.22 x 2.22 cm)



COMPANY WITH  
QUALITY SYSTEM  
CERTIFIED BY DNV  
= ISO 9001:2008 =

2110 South 26th Street  
PO Box 1720  
Manitowoc, WI 54221-1720 USA

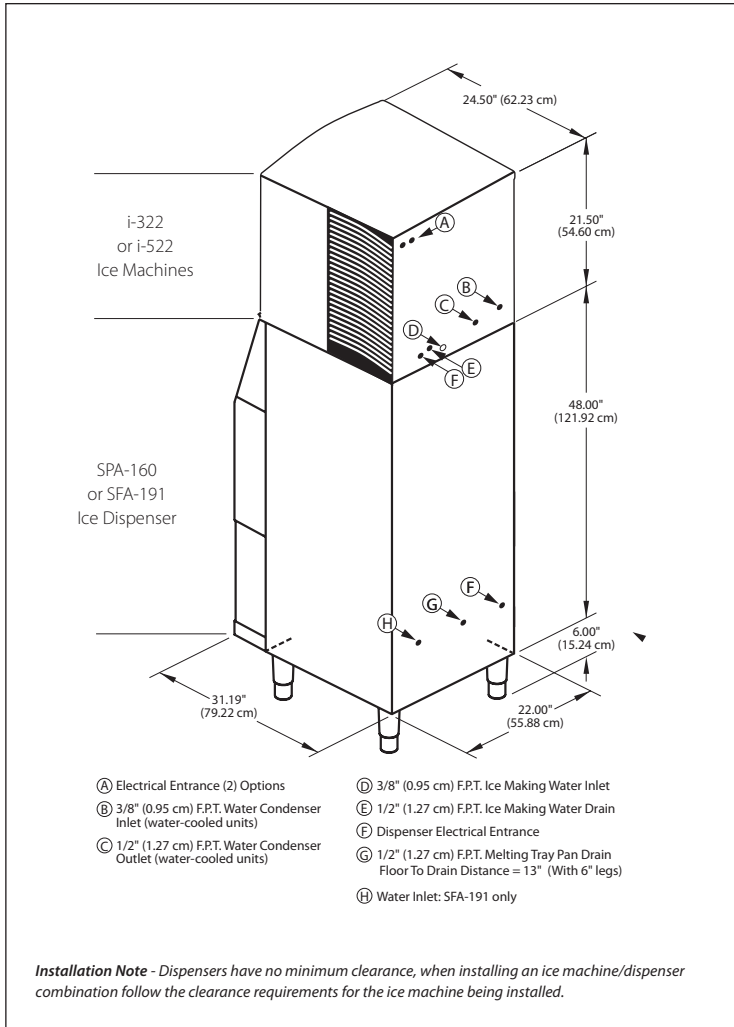
Tel: 1.920.682.0161  
Fax: 1.920.683.7589

www.manitowocice.com





SPA-160 • SFA-191 Ice Dispensers



### Ice Machine Electric

**Note:** Dispenser will accept single 22" wide ice machine. Ice machine ordered separately. Choose Dice or Half Dice cube size. Refer to ice machine specification sheet for electrical and complete AHRI standard ratings.

**Dispenser Electric:**

115/60/1. (208-230/60/1 and 230/50/1 also available.)

**Maximum Circuit Fuse Size:**

15.0 amps. HACR-type circuit breakers can be used in place of fuses.

**Dispenser Electrical Connection:**

6' power cord, rated 125 VAC, 16-3 conductors with standard 3-prong, straight-blade, ground-type plug (NEMA configuration 5-15P).

**Motor:**

1.6 amps maximum. Permanently lubricated.

**Service Access:**

Dispenser door removes easily to access components.

**Model Options:**

SPA-160 push-for-ice rocking chute, SCA-163 coin-op and SRA-164 room card control available. To field-convert SPA-160 to SRA-164, call factory for information. SFA-191 has a water valve option.

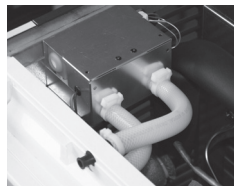
**Series 322 (115 volt)**

| Model    | Ice Shape | Ice Production 24 Hours |      |                   |      |
|----------|-----------|-------------------------|------|-------------------|------|
|          |           | 70°Air/50°F Water       |      | 90°Air/70°F Water |      |
|          |           | lbs.                    | kgs. | lbs.              | kgs. |
| ID-0322A | dice      | 335                     | 152  | 225               | 102  |
| ID-0323W | dice      | 330                     | 150  | 270               | 122  |
| IY-0324A | half-dice | 350                     | 159  | 230               | 104  |
| IY-0325W | half-dice | 350                     | 159  | 290               | 132  |

**Series 522 (115 volt)**

| Model    | Ice Shape | Ice Production 24 Hours |      |                   |      |
|----------|-----------|-------------------------|------|-------------------|------|
|          |           | 70°Air/50°F Water       |      | 90°Air/70°F Water |      |
|          |           | lbs.                    | kgs. | lbs.              | kgs. |
| ID-0522A | dice      | 475                     | 215  | 335               | 152  |
| ID-0523W | dice      | 460                     | 209  | 375               | 170  |
| IY-0524A | half-dice | 485                     | 220  | 360               | 163  |
| IY-0525W | half-dice | 480                     | 218  | 395               | 179  |

**Lumince™ Growth Inhibitor** reduces yeast and bacteria growth for a cleaner ice machine.



**Options for SPA-160:**



Room Card SRA-164



Coin-Op SCA-163 25-cent coin standard.