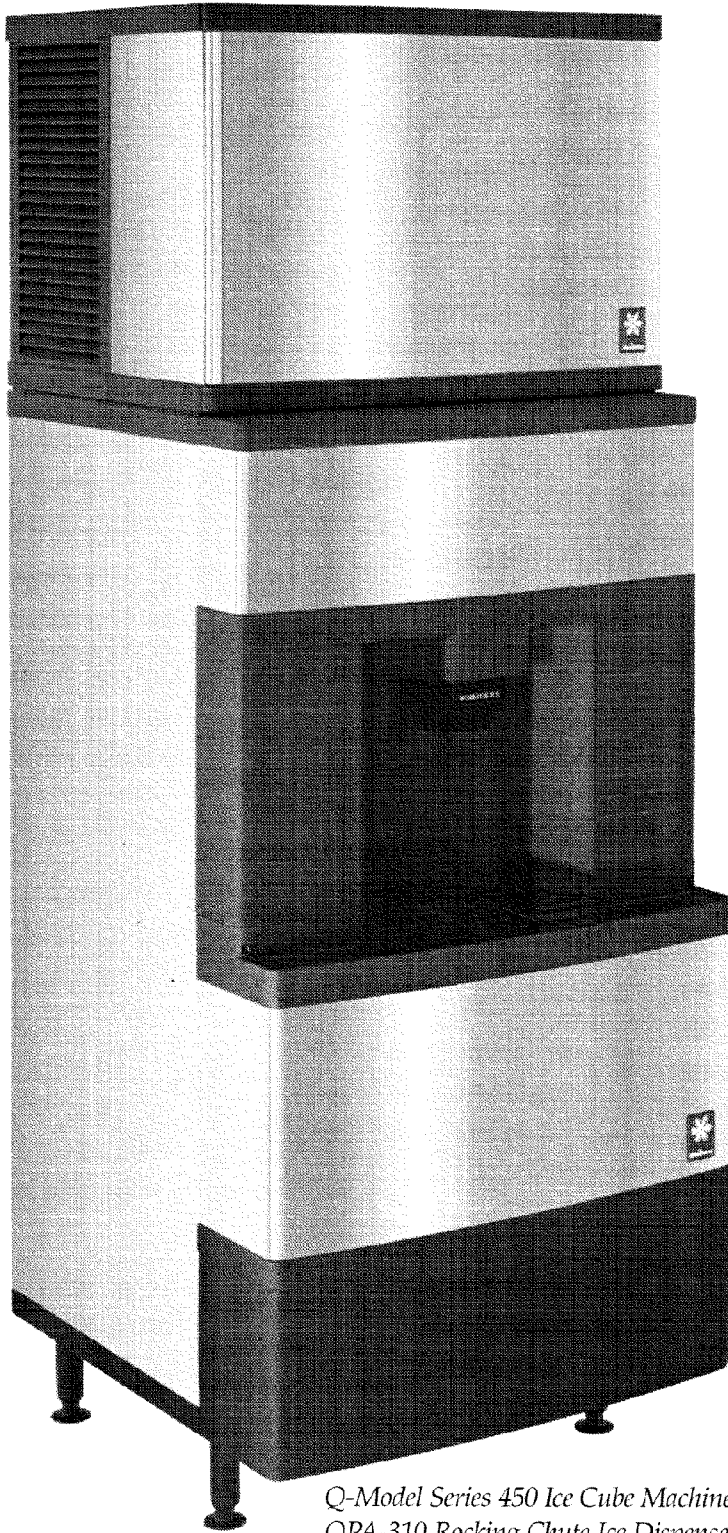


QPA-310 Ice Dispenser



Q-Model Series 450 Ice Cube Machine
QPA-310 Rocking Chute Ice Dispenser

- Designed for ice bucket filling in hotels, motels, and resorts
- 180 lbs. (82 kgs.) ice storage capacity. Accepts 22" (55.88 cm) or 30" (76.20 cm) wide Manitowoc ice machine
- Only 30" (76.20 cm) wide, 32" (81.28 cm) deep, and 82" high (208.28 cm)
- Stainless steel exterior with gray accents and rounded front blends with any decor
- Patented "Push For Ice" rocking chute dispense mechanism reduces in-flight ice and ice spillage with quick on/off activation
- Efficient built-in agitator assures 100% dispensing. Polyethylene bin liner and polyurethane insulation keep ice longer
- Pushbutton, coin-op and room card dispensing control models.
- Warranty
 - 5-year parts and 5-year labor coverage on ice machine evaporator
 - 5-year parts and 3-year labor coverage on ice machine compressor
 - 3 year parts-and-labor coverage on all other ice machine and dispenser components



ISO 9001
Quality
System
Certified

THE RIGHT CLIMATE FOR LEADERSHIP

Manitowoc

ICE CUBE MACHINES • ICE DISPENSERS

Manitowoc QPA-310 Ice Dispenser

Designed for ice bucket filling in hotels, motels, and resorts.
Up to 180 lbs. (82 kgs.) storage capacity.

SERIES 200 (115V)

24-HOUR PRODUCTION				lbs./kgs.			
AIR-COOLED UNIT			WATER-COOLED UNIT				
air temp	water temp		air temp	water temp			
°F	50°	70°	90°	°F	50°	70°	90°
°C	10°	21°	32°	°C	10°	21°	32°
70°	270	230	210	70°	270	245	220
21°	123	104	95	21°	123	111	100
80°	230	205	190	80°	260	235	210
27°	104	93	86	27°	118	107	95
90°	200	175	160	90°	250	225	200
32°	91	79	73	32°	114	102	91

SERIES 450 (115V)

24-HOUR PRODUCTION				lbs./kgs.			
AIR-COOLED UNIT			WATER-COOLED UNIT				
air temp	water temp		air temp	water temp			
°F	50°	70°	90°	°F	50°	70°	90°
°C	10°	21°	32°	°C	10°	21°	32°
70°	530	480	440	70°	520	460	420
21°	241	218	200	21°	236	209	191
80°	480	430	400	80°	510	450	410
27°	218	195	182	27°	232	204	186
90°	430	380	350	90°	500	440	400
32°	195	173	159	32°	227	200	182

SERIES 600 (208-230V)

24-HOUR PRODUCTION				lbs./kgs.			
AIR-COOLED UNIT			WATER-COOLED UNIT				
air temp	water temp		air temp	water temp			
°F	50°	70°	90°	°F	50°	70°	90°
°C	10°	21°	32°	°C	10°	21°	32°
70°	690	640	590	70°	670	610	540
21°	313	290	268	21°	304	277	245
80°	640	590	540	80°	660	600	530
27°	290	268	245	27°	300	272	241
90°	590	540	500	90°	640	580	520
32°	268	245	227	32°	291	263	236



Certified and Rated in Accordance with ARI Standard 810-95

Test conditions for standard ratings are 90° F air, 70° F water, and 30 - 3 psi water inlet pressure.

Note: Dispenser will accept single 22" or 30" wide ice machine. Ice machine ordered separately. Choose Dice or Half Dice cube size. Refer to ice machine specification sheet for electrical and complete ARI standard ratings.

Dispenser Electric: 115/60/1. (230/50/1 also available.)

Maximum Circuit Fuse Size: 15.0 amps. HACR-type circuit breakers can be used in place of fuses.

Dispenser Electrical Connection: 6" power cord, rated 125 VAC, 16-3 conductors with standard 3-prong, straight-blade, ground-type plug (NEMA configuration 5-15P).

Motor: 1.6 amps maximum. Permanently lubricated.

Service Access: Dispenser door removes easily to access components.

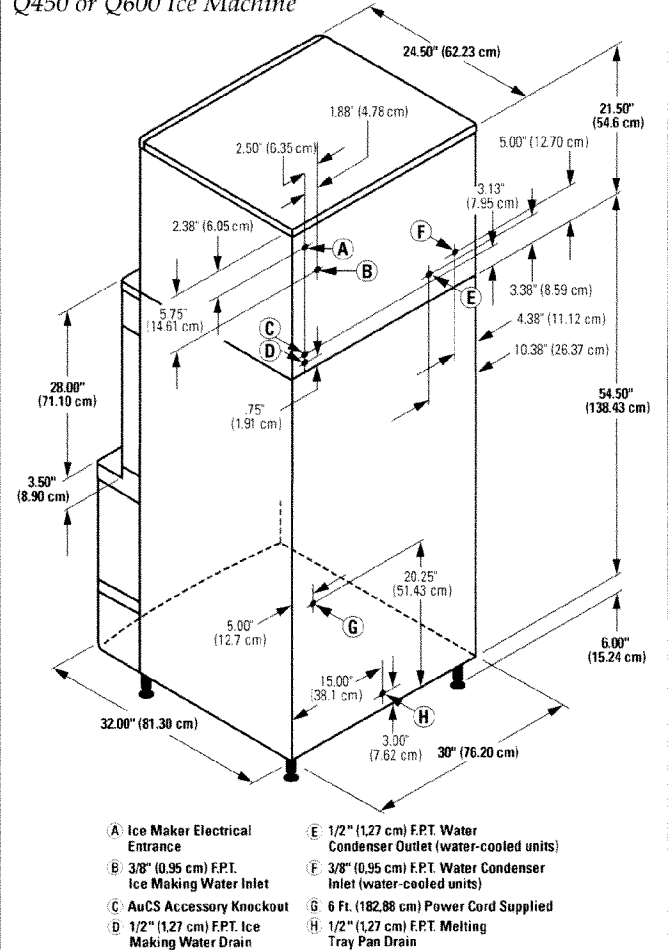
Models: QPA-310 rocking chute, QCA-330 coin-op and QRA-340 room card control available. To field-convert QPA-310 to QRA-340, call factory for information.



THE RIGHT CLIMATE FOR LEADERSHIP

Consult your local Manitowoc Representative.

QPA-310 Ice Dispenser Q450 or Q600 Ice Machine



Installation Note - Dispensers have no minimum clearance, when installing an ice machine/dispenser combination follow the clearance requirements for the ice machine being installed.

2 Cube Sizes Available

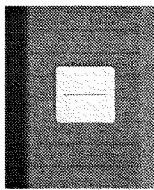
Half Dice
1/4" x 1 1/2" x 3/4"
(.95 x 2.86 x 2.22 cm)

Dice
1/2" x 1/2" x 3/4"
(2.22 x 2.22 x 2.22 cm)

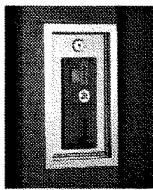
AuCS® Accessory

AuCS® Automatic Cleaning System

Options



Room Card
QRA-340



Coin-Op
QCA-330
25-cent coin standard. Strong lockable money box.

Manitowoc Ice, Inc.
2110 South 26th Street, P.O. Box 1720 • Manitowoc, WI 54221-1720, USA
Ph: 920-682-0161 • Fax: 920-683-7589 • Web Site: www.manitowocice.com



©1998 Manitowoc 925/B FAX - 10/98
Continuing product improvement may necessitate change of specifications without notice.