

# NEO™ 140/190 Undercounter Ice Machines

## Models

- |                                   |                                   |                                   |                                   |                                   |
|-----------------------------------|-----------------------------------|-----------------------------------|-----------------------------------|-----------------------------------|
| <input type="checkbox"/> UR-0140A | <input type="checkbox"/> UD-0140W | <input type="checkbox"/> UY-0140W | <input type="checkbox"/> UD-0190A | <input type="checkbox"/> UY-0190A |
| <input type="checkbox"/> UD-0140A | <input type="checkbox"/> UY-0140A | <input type="checkbox"/> UR-0190A | <input type="checkbox"/> UD-0190W | <input type="checkbox"/> UY-0190W |



U-140 / U-190

- Power**
- Delay**
- Clean**
- Full Bin**
- Service**

- Ranging from 130 lbs. (61 kgs) to 190 lbs. (79 kgs) daily ice production
- Only 26" (66.04 cm) wide, 28.00" (67.31 cm) deep, and 38.50" (82.55 cm) high on 6" (15.24 cm) legs
- 80 lb. (36.6 kg) ice storage capacity

## Standard Features

NEO is designed to provide ice right where you need it -- within reach. Improvements in performance, intelligence, and convenience make your ice machine easy to own and less expensive to operate.

**Easy Access** – angled door provides a larger opening making ice more visible and easier to access

**Intelligence** – provides feedback with full bin and service indicators. Delay function allows you to pause your machine for slow periods or days when you're closed.

**Easy to Clean** - smooth, sealed food-zone with removable water trough, distribution tube, and damper door for faster cleaning. AlphaSan added to key internal components.

**Convenience** – forward-sliding storage bin allows for easier, quicker access to refrigeration components without having to move the entire ice machine.

Available **LuminIce™ Growth Inhibitor** mitigates the growth of bacteria and yeast within the foodzone.



## Specifications

### BTU Per Hour:

U-140: 2,850 (average)  
3,150 (peak)

U-190: 2,850 (average)  
3,150 (peak)

### Compressor:

Nominal rating: .42 HP

### Cupra-Nickel Condenser:

(Water-cooled models)  
Adds protection from corrosive water elements.

### Operating Limits:

• Ambient Temperature Range:  
40° to 110°F (4.4° to 43.3°C)

• Water Temperature Range:  
45° to 90°F (4.4° to 32.2°C)

• Water Pressure Ice Maker  
Water In:  
Min. 20 psi (137.9 kPa)  
Max. 80 psi (551.1 kPa)

• Condenser Inlet Water In:  
(Water-cooled only)  
Min. 20 psi (137.9 kPa)  
Max. 150 psi (1,034.2 kPa)

## Ice Shape



### Half Dice

3/8" x 1 1/8" x 7/8"  
(.95 x 2.86 x 2.22 cm)



### Dice

7/8" x 7/8" x 7/8"  
(2.22 x 2.22 x 2.22 cm)



### Regular

1 1/8" x 1 1/8" x 7/8"  
(2.86 x 2.86 x 2.22 cm)

## Ice Machine Electric

### Power Cord:

115/60/1 ice machines are factory pre-wired with a 6' (180 cm) power cord and NEMA 5-15P-plug configuration. 208-230/60/1 ice machines are factory pre-wired with a 6' (180 cm) power cord only, no plug is supplied.

### Total Amps:

U-140: 115/60/1: Air-cooled and Water-cooled: 5.5 amps  
208-230/60/1: Air-cooled and Water-cooled: 2.5 amps

U-190: 115/60/1: Air-cooled and Water-cooled: 5.5 amps  
208-230/60/1: Air-cooled and Water-cooled: 2.5 amps

### Maximum fuse size:

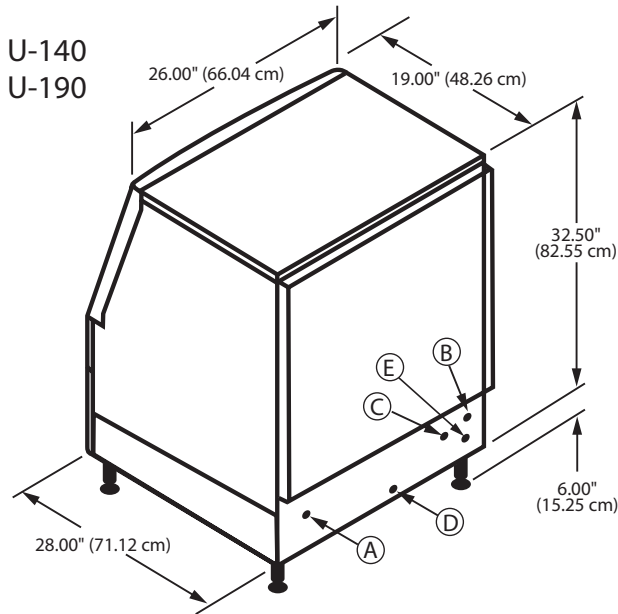
Air-cooled and Water-cooled: 15 amps  
HACR-type circuit breakers can be used in place of fuses.



COMPANY WITH  
QUALITY SYSTEM  
CERTIFIED BY DNV  
= ISO 9001:2008 =



NEO™ 140/190 Undercounter Ice Machines



**Installation Note** Recommended clearance for top, sides, and back is 5" (12.7 cm) however, there is no minimum clearance required.

- (A) Electrical Entrance
- (B) 3/8" (0.95 cm) F.P.T. Ice Making Water Inlet
- (C) 1/2" (1.27 cm) F.P.T. Minimum Water Condenser Outlet (water-cooled units)
- (D) 3/8" (0.95 cm) F.P.T. Water Condenser Inlet (water-cooled units)
- (E) 1/2" (1.27 cm) F.P.T. Ice Bin Drain

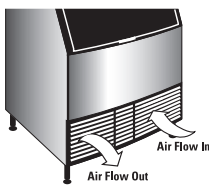
### Specifications

Model	Ice Shape	Ice Production 24 Hours				Power kWh/ 100 lbs. @ 90°/70°F 32°/21°C	Potable water usage gal/100 lbs. ice @90/70°F	ENERGY* STAR®
		70°Air/50°F Water 21°Air/10°C Water		90°Air/70°F Water 32°Air/21°C Water				
UR-0140A	regular	122 lbs	59 kg	90 lbs	41 kg	11.3	23.3	★
UD-0140A	dice	129 lbs	59 kg	95 lbs	43 kg	11.1	24.4	★
UD-0140W	dice	135 lbs	61 kg	104 lbs	49 kg	9.2	23.8	NA
UY-0140A	half-dice	132 lbs	60 kg	95 lbs	43 kg	11.1	24.9	★
UY-0140W	half-dice	126 lbs	57 kg	104 lbs	45 kg	9.8	23.1	NA
UR-0190A	regular	188 lbs	85 kg	133 lbs	60 kg	8.7	21.3	★
UD-0190A	dice	198 lbs	90 kg	140 lbs	64 kg	8.4	23.9	★
UD-0190W	dice	186 lbs	84 kg	149 lbs	68 kg	6.8	21.3	NA
UY-0190A	half-dice	193 lbs	88 kg	140 lbs	64 kg	8.3	21.6	★
UY-0190W	half-dice	189 lbs	86 kg	149 kg	65 kg	7.6	22.6	NA

Water-cooled Condenser: 185 gal. / 700 liters

Water-cooled models are excluded from ENERGY STAR qualification.  
 \*Certified submission through AHRI complete pending official Energy Star listing.

#### Air Flow



Air in right, air out left, no side vents. Great for installation under countertops and next to other equipment.

#### LuminIce™ Growth Inhibitor Accessory



Reduces yeast and bacteria growth for a cleaner ice machine.

#### Air Filter



Simple, tool-free removal for quick access during routine cleaning and maintenance.