

ENSIGN 40-2

AUTOMATIC SINGLE TANK COUNTER TYPE DISHWASHER



DESIGN

Automatic counter type single tank dishwasher with telescoping hood. A timed wash and rinse cycle. Fully automatic operation with power on/off button. Cycle starts when door is closed. Designed for straight through operation.

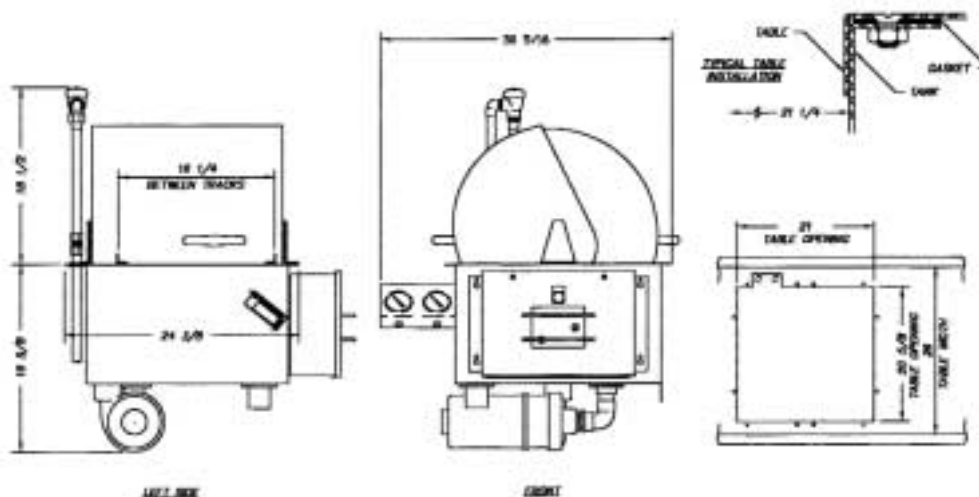
STANDARD EQUIPMENT

- Tank heat: electric immersion heater or steam injector
- Thermometer for wash
- Thermometer for final rinse
- Vacuum breaker
- Four plastic 16" x 16" racks (2 plate racks, 2 silver racks)
- Manifold cleanout brush
- Automatic tank fill
- Low water protection
- Detergent connection provision
- SureFire™ Start-Up and Check-Out Service
- Space saving compact design
- Single point electrical connection: motor, controls, heater
- Fully automatic operation
- Side mounted control panel (NEMA 12)
- Simplified scrap screen design
- Standard frame drip proof motor
- Door safety switch

OPTIONAL ACCESSORY EQUIPMENT

- Stainless steel steam coil tank heat
- Pressure reduction valve and line strainer
- S/S frame
- Steam booster
- Remote electric booster
- Totally enclosed motor





Note: For all rough in connections see Installation and Layout Detail Drawing.

SPECIFICATIONS

CONSTRUCTION - Hood and tank constructed of 16 gauge 18-8 type 304 S/S. Hood unit of all welded seamless construction. All internal castings are non-corrosive lead free nickel alloy or bronze.

DOORS - Two opening operating doors. Operating doors have fingertip control, rotating on S/S bracket. Doors formed of 18 gauge S/S.

PUMP - Centrifugal type "packless" pump with a brass petcock drain. Construction includes ceramic seal and a balanced cast impeller on a precision ground stainless steel shaft. All working parts mounted as an assembly and removable as a unit without disturbing pump housing. One 1/2 HP motor, standard horizontal C-face frame, drip proof, internally cooled with ball-bearing construction.

CONTROLS - Side-mounted control cabinet, housing motor controls and overload protection, transformer, contactors and all dishwasher integral controls. All controls safe low voltage 24 VAC.

SPRAY SYSTEM - Wash and rinse spray systems made of 18-8 type 304 S/S pipe.

WASH - Power wash arm above with 14 high pressure action cleansing slots and 6 power wash arms below, each designed with 5 high pressure action cleansing slots. The slots are precision milled for water control producing a fan spray. Wash arms are removable without the use of tools.

FINAL RINSE - 1 spray body above designed with 4 power rinse nozzles and 1 power rinse coil below designed with 6 nozzles.

DRAIN - Overflow assembly with skimmer is removable without use of tools for drain line inspection. Heater protected by low water level controls.

Capacity per hour	Tank capacity	Motor size	Electric usage	Steam consumption at 20 psi min.	Final rinse peak flow at 20 psi min.	
43 racks 720 dishes	8.1 gals.	1/2 hp (wash)	1.5 kw wash tank 6 kw booster 40° rise 12 kw booster 70° rise	6 lbs./hr tank 22 lbs./hr rem. booster 40° rise 38 lbs./hr rem. booster 70° rise	8 gals./min.	
Final rinse consumption at 20 psi min.	Exhaust hood requirement	Peak rate drain flow	Shipping weight	Current draw amps	Steam	Electric w/o booster
61 gals./hr. 1.4 gals./rack	100 CFM wall hood 150 CFM island hood	9 gals./min.	400 lbs.	115/1/6010.723.7	
				208/3/602.76.9	
				240/1/605.511.8	
				240/3/602.46.0	
				380/3/501.53.8	
				480/3/601.43.1	