

GW-40 BarMaster Glasswasher

- Automatic, chemical sanitizing glasswasher
- Batch style
- Timed wash and rinse cycles
- Fully automatic operation with power on/off button
- Built-in detergent and rinse-aid dispensers
- Capacity is 40 20" x 20" racks per hour
- 1.4 gallons per rack final rinse
- Water and energy saving
- Quiet operation



STANDARD FEATURES

- 11" wash clearance
- Electromechanical controls
- Start button and cycle indicator light
- Automatic fill, wash, drain and rinse cycles
- S/S frame, legs and feet
- Physical stop in unit assures correct placement of rack
- Door safety switch
- Adjustable bullet feet
- EZ-Clean™ wash and rinse arms
- Multiple cycle selection 90 seconds, 150 seconds
- 115V electrical connection
- Side panels
- SureFire® Start-Up & Check-Out Service

OTHER SPECIFICATIONS

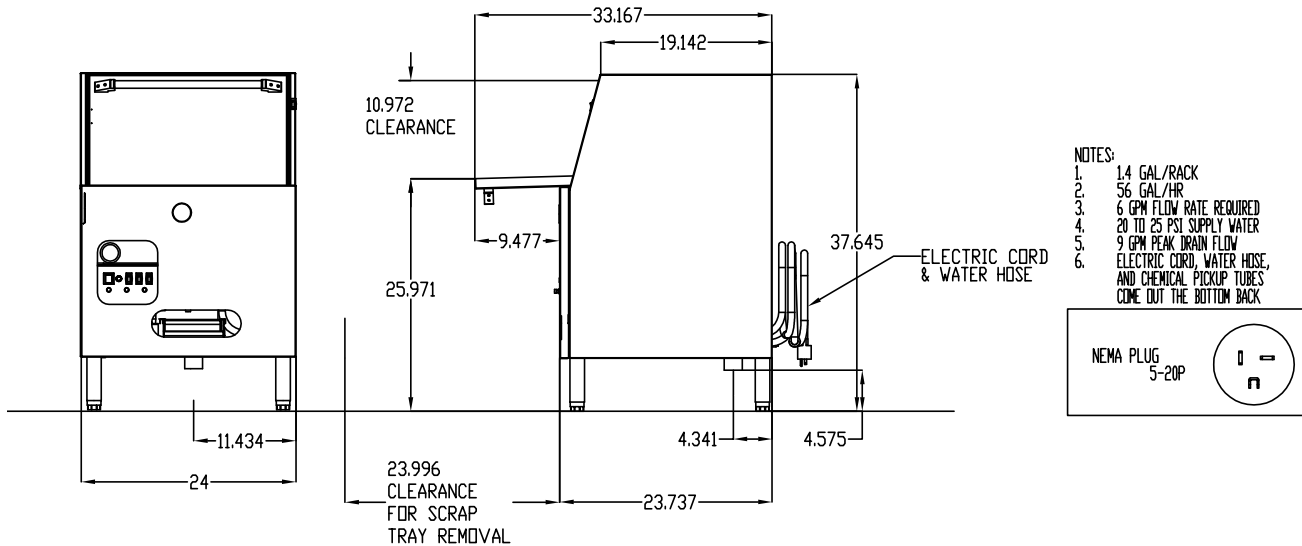
- Sanitizer required:
 - Sodium Hypochlorite 50 ppm
 - Iodophor 12.5 ppm
- Operating temperatures
 - 120°F minimum (140°F recommended)

OPTIONS

- Heated maintenance tank to maintain 120°F-140°F water

GW-40





Note: For all rough in connections see installation and layout detail drawing.

Capacity Per Hour	40 racks	
Tank Capacity	1.5 gallons	
Motor Size	1 hp	
Optional Maintenance Tank	1.8 kW	
Water Inlet Temperature	120°F minimum 140°F recommended	
Water Usage	1.4 gallons/rack 56 gallons/hour	
Water Requirements	6 gpm flow 20-25 psi flow supply	
Exhaust Hood Requirement	None	
Time Cycle	Standard- 90 seconds Extreme- 150 seconds	
Peak Rate Drain Flow	9 gallons/minute	
Shipping Weight	210 lbs.	
Current Draw Amps	Washer	With optional maintenance tank
115/1/60	14.0	16.0

SPECIFICATIONS

CONSTRUCTION- Hood and tank constructed of type 304 s/s. Hood unit of all welded seamless construction. S/S frame, legs and feet. All internal castings are non-corrosive lead free nickel alloy or bronze.

CONTROLS- Electro-mechanical controls are simple to use and locate in a splash proof box.

WASH/RINSE SYSTEM- Rotating lower s/s wash arms. End caps are easily removable for cleaning.

DRAIN SYSTEM- Drain valve externally controlled.

Note: Due to product improvement we reserve the right to change information and specifications without notice.