

**FoodSafe™**



HME 202 X  
(Shown with X controls)

**CONTROLS**

- ◆ Unit is available with either P or X style controls. Operating Modes and Options/Accessories are dependent upon control type. Please refer to the included charts and/or Spec-Sheets M-A-P and M-A-X for details.

**CONSTRUCTION DETAILS**

- ◆ Stainless steel 18/10 AISI 304 cooking compartment with long radius rounded corners for a perfect cleaning (HACCP requirements) and fully water-proof
- ◆ Thermic insulation of 1.38" rock wool
- ◆ Thermic brake between the cavity and oven front panel, to absorb steel expansion
- ◆ Double glazed door with large air interspace for heat insulation
- ◆ Hinged inner glass for cleaning
- ◆ Locking mechanism with 3 catches; two of them adjustable
- ◆ Adjustable door hinges
- ◆ Door opening with progressive brake
- ◆ Push-in type door seal of heat resistant silicon rubber
- ◆ Built-in door drip tray collecting the condensate into the cavity drip tray; then into the oven drain
- ◆ Two hinged fan protection covers for a proper cleaning of cavity back wall and fan wheels
- ◆ Front removable control panel for easy service
- ◆ AISI 304 fully insulated steam generator
- ◆ Oven drain with built-in air gap; it can be plumbed with a permanent connection and it can also be opened for service purposes
- ◆ Two water inlets (soft and hard water)
- ◆ Connections gathered at the oven right hand side
- ◆ Supplied with monoblock trolley HKS202 of AISI 304 s. steel construction, with drip tray, holds 20 pans (2.64" distance); 4 polyamide and polyurethane wheels two of them with brakes
- ◆ High quality world wide available components

**ADDITIONAL CONSTRUCTION DETAILS FOR (X) CONTROL**

- ◆ Hand Shower LD25
- ◆ External connection for meat probe

**ELECTRIC HEATING SYSTEM**

- ◆ Cavity heating elements of armoured INCOLOY 800 type
- ◆ Steam generator heating elements of armoured INCOLOY 800 type
- ◆ Energy Saving device for reduced energy consumption

**CAPACITY**

- ◆ 1 x HKS202 trolley 20-18x26 sheet pans or 40-12x20 steam pans and 2.64" shelf spacing
- ◆ With HKP202 plated meals trolley: 100 plates (12.20") at 2.68" distance

JOB \_\_\_\_\_ ITEM # \_\_\_\_\_ QTY # \_\_\_\_\_

**MODEL NUMBER WITH BOILER**

- HME 202 P
- HME 202 X

**SAFETY FEATURES**

- ◆ Cavity safety thermostat
- ◆ Boiler safety thermostat
- ◆ Device against pressure built-up in cavity and boiler
- ◆ Fan motor thermic protection
- ◆ Magnetic door switch
- ◆ Boiler water level probes
- ◆ Lack of water displayed alarm
- ◆ Displayed diagnostic (specific for "P" control)
- ◆ Component cooling system

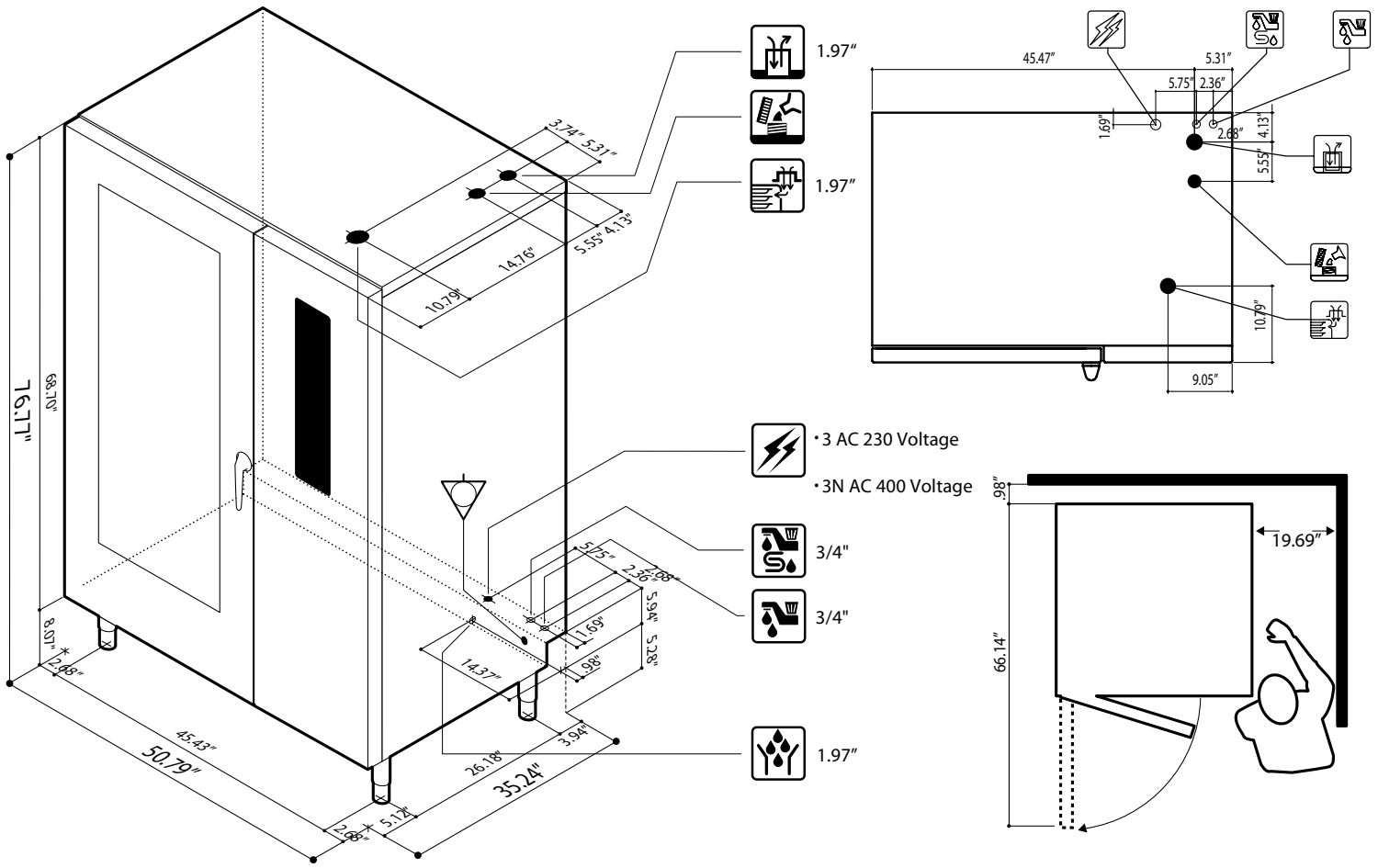
OPERATING MODES	CONTROL	
	P	X
Convection with Autoclisma 86°F - 572°F	✓	✓
Steam 86°F - 266°F (low temperature, atmospheric, forced)	✓	✓
Combined steam/convection with Autoclisma 86°F - 572°F	✓	✓
ICS - Interactive Cooking System		✓
Temperature hold - Reheating - Defrosting - Multilevel cooking		✓
Reheating with Autoclisma 248°F - 284°F	✓	
Temperature hold with Autoclisma function	✓	
Slow cooking		✓
Automatic sequence cooking	✓	✓
Delta-T cooking		✓
Three finishing modes		✓
Cook & Hold		✓
Automatic delayed start		✓

TECHNICAL DATA	
External dimensions	50.79"W x 35.24"D x 76.77"H
Weight	1,135 lbs.
Total electric power	61,800 Watts
Chamber heating output	60,000 Watts
Steam heating output	60,000 Watts
Fan power	1,800 Watts
Power supply voltage	3ph/208v/60hz

**SPEC M-7-E**

**PIPER PRODUCTS**  
BUILT TO LAST  
[www.piperonline.net](http://www.piperonline.net)

300 S. 84th Avenue  
Wausau, WI 54401  
Phone: 800-544-3057  
Fax: 715-842-3125



OPTIONS / ACCESSORIES	CONTROLS	
	P	X
<input type="checkbox"/> Automatic washing WCS (Washing Combi System) KL202 Cavity self wash system with SOFT and HARD cleaning programs with detergent injection and cavity rinsing by the means of a dedicated rotating shower	✓	✓
<input type="checkbox"/> Hand shower LD25	✓	
<input type="checkbox"/> Stainless steel trolley to hold washing kit CD002	✓	✓
<input type="checkbox"/> Special and marine voltages	✓	✓
<input type="checkbox"/> LPG version		
<input type="checkbox"/> Plated meals trolley HKP202	✓	✓
<input type="checkbox"/> Thermal cover CP202	✓	✓

OPTIONS / ACCESSORIES	CONTROLS	
	P	X
<input type="checkbox"/> Fat filter FX202	✓	✓
<input type="checkbox"/> Standard core probe SC with external connection	✓	
<input type="checkbox"/> Needle probe for vacuum packs SE002 with external connection	✓	
<input type="checkbox"/> Needle probe for vacuum packs SE005 with external connection		✓
<input type="checkbox"/> Extraction hood with steam condenser HKA202		
<input type="checkbox"/> Holding cabinet	✓	✓
<input type="checkbox"/> Connection for an external printer (type RS 232)	✓	
<input type="checkbox"/> Connection for Energy Saving System SN	✓	✓

## M-7-E SPEC

**PIPER PRODUCTS**  
 BUILT TO LAST  
[www.piperonline.net](http://www.piperonline.net)

300 S. 84th Avenue  
 Wausau, WI 54401  
 Phone: 800-544-3057  
 Fax: 715-842-3125

**LIMITED WARRANTY:** PIPER PRODUCTS warrants to the original purchaser parts and labor for a period of twelve (12) months from the date of purchase. See manufacturer's complete warranty for details.

It is our policy to build equipment which is design certified by companies that have been accredited at the Federal Level by the Occupational Safety and Health Agency (OSHA) and ANSI as a National Recognized Testing Laboratory. These companies include CSA International, Underwriters Laboratories, and the National Sanitation Foundation. However, a continuing program of product improvement makes it necessary to submit new models to the agencies as they are developed. Consequently, all models may not bear the appropriate labels at all times.

We reserve the right to change specifications and product design without notice. Such revisions do not entitle buyer to corresponding changes, improvements, additions or replacements for previously purchased equipment. Information is not for design purposes.