

JOB _____ ITEM # _____ QTY # _____

MODEL NUMBER

ROLLER

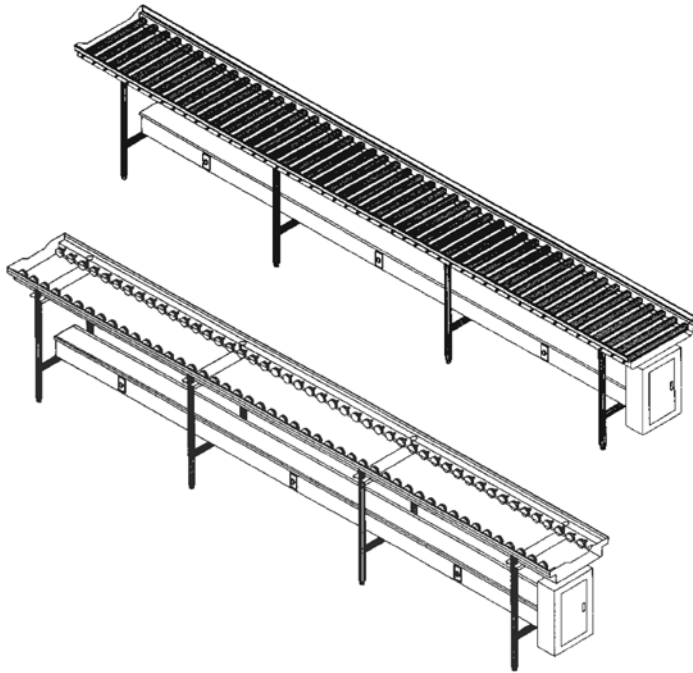
- SRC-8
- SRC-10
- SRC-12
- SRC-14
- SRC-16
- SRC-18
- SRC-20

SKATE WHEEL

- SSC-8
- SSC-10
- SSC-12
- SSC-14
- SSC-16
- SSC-18
- SSC-20

ELITE SKATE

- ESC-32
- ESC-46
- ESC-60
- ESC-74
- ESC-88



Roller and Skate Wheel conveyors are designed for tray make-up. These conveyors will help for streamline tray assembly for healthcare or catering operations. Both units can be equipped with a UL approved electric raceway and breaker panels for on-line support equipment connections. Roller conveyors will handle compartment or flat bottom trays. Skate Wheel conveyors will handle flat bottom trays only.

STANDARD FEATURES

- ◆ Stainless steel frame
- ◆ PVC rollers or Nylon rollers
- ◆ Stainless steel bullet feet
- ◆ Stainless steel "H" frame

CONSTRUCTION

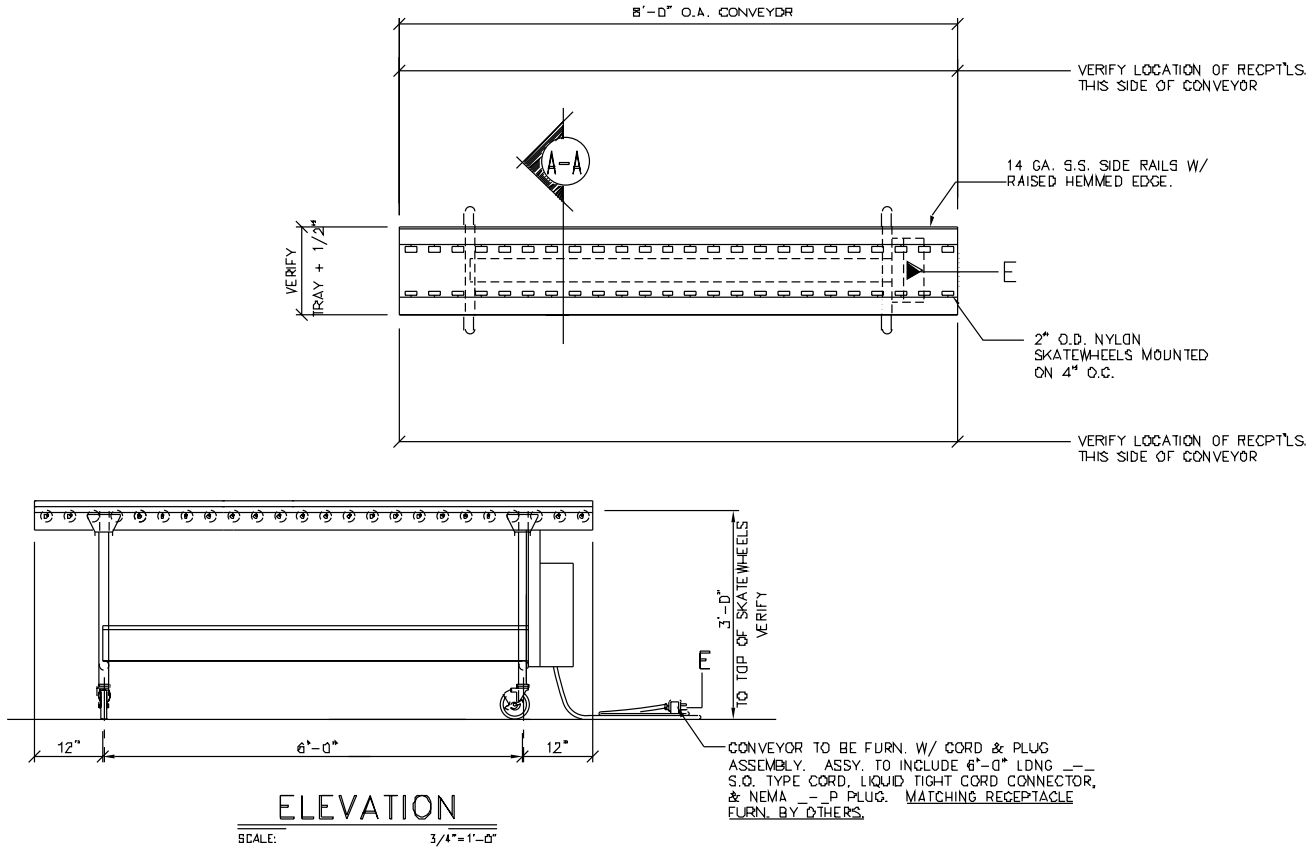
Roller conveyors shall have a 1-7/8" O.D. gray P.V.C. tubing with stainless steel ball bearings. Rollers mounted on stainless steel hex springloaded shafts. The rollers are spaced on 3" or 4" centers.

Skate Wheel assemblies shall be 2" diameter nylon wheels with low friction bushing for free movement. Wheels are secured to frame with stainless steel bolts with self-locking nuts. Wheels are spaced 3" to 4" centers and are removable for easy cleaning.

Conveyors are supported by a 1-5/8" O.D. 16 gauge stainless steel tubular legs. Stainless steel tubing fits into stainless steel sleeves welded to conveyor frame. Legs are secured to sleeves with allen head set screws. Conveyors come standard with adjustable stainless bullet feet.

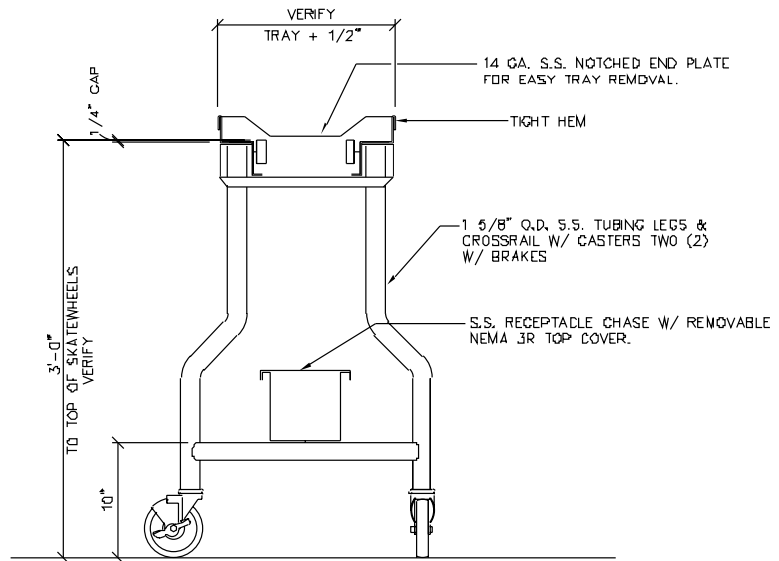
WARRANTY

One year parts and labor. Warranty is detailed on inside front cover of the price list.



OPTIONS / ACCESSORIES

- Electric raceway
- Receptacles
- Removable sections
- Casters
- Stainless steel rollers
- Field joint
- Movable over shelf
- Prison package



G-1 SPEC

PIPER PRODUCTS
 BUILT TO LAST
www.piperonline.net

300 S. 84th Avenue
 Wausau, WI 54401
 Phone: 800-544-3057
 Fax: 715-842-3125

LIMITED WARRANTY: PIPER PRODUCTS warrants to the original purchaser parts and labor for a period of twelve (12) months from the date of purchase. See manufacturer's complete warranty for details.

It is our policy to build equipment which is design certified by companies that have been accredited at the Federal Level by the Occupational Safety and Health Agency (OSHA) and ANSI as a National Recognized Testing Laboratory. These companies include CSA International, Underwriters Laboratories, and the National Sanitation Foundation. However, a continuing program of product improvement makes it necessary to submit new models to the agencies as they are developed. Consequently, all models may not bear the appropriate labels at all times.

We reserve the right to change specifications and product design without notice. Such revisions do not entitle buyer to corresponding changes, improvements, additions or replacements for previously purchased equipment. Information is not for design purposes.