



**John
BOOS**
Since 1887

ITEM #: _____ QTY: _____
 MODEL #: _____
 PROJECT NAME: _____

062217

3601 S. Banker St. Effingham, IL 62401 • P.O. BOX 609 • Ph: (888) 431-2667 • Fax: (800) 433-2667

"3B-2D" "B-SERIES" SINKS



FEATURES:

- 16GA STAINLESS STEEL
- TYPE 300 STAINLESS STEEL WITH #4 POLISH, SATIN FINISH
- 14" DEEP BOWLS
- ALL CORNERS, BOTH VERTICAL AND HORIZONTAL, COVED AT 3/4" RADIUS
- BOTTOMS OF BOWLS FORMED FOR DRAINAGE TO 3-1/2" DIAMETER DIE STAMPED OPENING
- FULL LENGTH **10" HIGH BOXED BACKSPLASH**, WITH 2" RETURN TO WALL AT 45 DEGREE AND 1" TURNED DOWN REAR LIP
- 1-1/8" FAUCET HOLES IN BACKSPLASH
- ALL OUTSIDE CORNERS OF ASSEMBLY ARE BULLNOSED TO PROVIDE SAFE, CLEAN, AND POLISHED EDGE
- STANDARD STAINLESS STEEL LEGS 1-5/8" DIAMETER

CONSTRUCTION:

- TOP: STAINLESS STEEL SINKS ARE TIG WELDED, EXPOSED WELDS ARE POLISHED TO MATCH ADJACENT SURFACE
- BASE: STAINLESS STEEL BASES ARE MIG WELDED

MATERIAL:

- BOWLS & TOP: 16GA TYPE 300 STAINLESS STEEL WITH #4 POLISH, SATIN FINISH
- LEGS: 1-5/8" ROUND O.D. STAINLESS STEEL
- BRACING: 1-1/4" ROUND O.D. STAINLESS STEEL
- GUSSETS: STAINLESS STEEL
- FEET: 1" ADJUSTABLE STAINLESS STEEL BULLET FEET



3B18244-2D18
(Model showing one set of faucet holes.)

STANDARD 16GA "3B-2D" "B-SERIES" SINK

| MODEL | BOWL SIZE (LxWxD) | QTY |
|--------------|-------------------|-----|
| 3B16204-2D18 | 16" X 20" X 14" | |
| 3B16204-2D24 | 16" X 20" X 14" | |
| 3B16204-2D36 | 16" X 20" X 14" | |
| 3B184-2D18 | 18" X 18" X 14" | |
| 3B18244-2D18 | 18" X 24" X 14" | |
| 3B18244-2D24 | 18" X 24" X 14" | |
| 3B20304-2D20 | 20" X 30" X 14" | |
| 3B20304-2D24 | 20" X 30" X 14" | |
| 3B20304-2D30 | 20" X 30" X 14" | |
| 3B244-2D24 * | 24" X 24" X 14" | |

* WITH TWO SETS OF FAUCET HOLES

OPTIONAL ACCESSORIES

| DESCRIPTION | QTY |
|-----------------|-----|
| FAUCETS | |
| ADD-A-FAUCETS | |
| PRE-RINSE UNITS | |
| LEVEL WASTE | |
| OVERSHELVES | |
| POT RACK | |

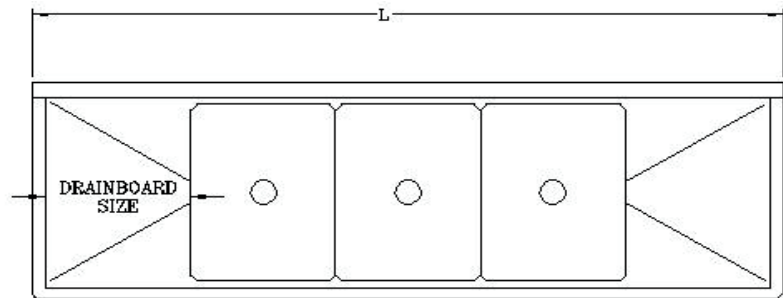
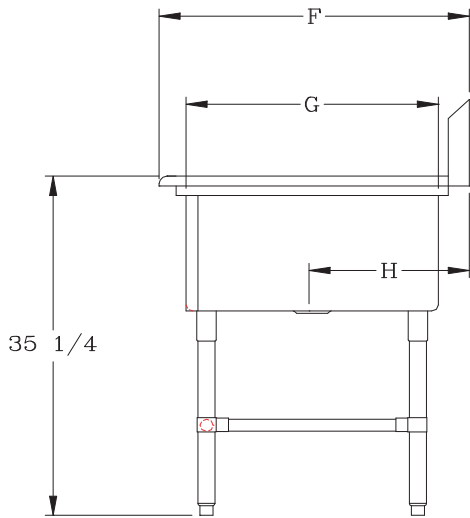
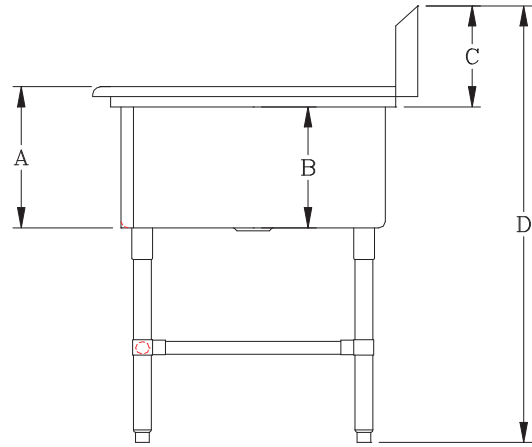
DETAILED SPECIFICATIONS

SINK DIMENSIONS

| A | B | C | D |
|---------|-----|-----|-----|
| 16-1/4" | 14" | 10" | 43" |

BOWL SIZES

| DIMENSIONS (LxW) | F | G | H |
|------------------|---------|-----|-----------|
| 16" X 20" | 25-1/2" | 20" | 12-15/16" |
| 18" X 18" | 23-1/2" | 18" | 11-15/16" |
| 18" X 24" | 29-1/2" | 24" | 14-15/16" |
| 20" X 30" | 35-1/2" | 30" | 17-15/16" |
| 24" X 24" | 29-1/2" | 24" | 14-15/16" |



STANDARD 16GA "3B-2D" "B-SERIES" SINK

| MODEL | BOWL SIZE (LxWxD) | DIMENSIONS (LxW) | DRAIN BOARDS | WT. (LBS) |
|---------------|-------------------|------------------|--------------|-----------|
| 3B16204-2D18 | 16" X 20" X 14" | 87" X 25-1/2" | 18" | 123 |
| 3B16204-2D24 | 16" X 20" X 14" | 99" X 25-1/2" | 24" | 131 |
| 3B16204-2D36 | 16" X 20" X 14" | 123" X 25-1/2" | 36" | 147 |
| 3B184-2D18 | 18" X 18" X 14" | 93" X 23-1/2" | 18" | 123 |
| 3B18244-2D18 | 18" X 24" X 14" | 93" X 29-1/2" | 18" | 142 |
| 3B18244-2D24 | 18" X 24" X 14" | 105" X 29-1/2" | 24" | 151 |
| 3B20304-D2D20 | 20" X 30" X 14" | 103" X 35-1/2" | 20" | 171 |
| 3B20304-2D24 | 20" X 30" X 14" | 111" X 35-1/2" | 24" | 178 |
| 3B20304-2D30 | 20" X 30" X 14" | 123" X 35-1/2" | 30" | 188 |
| 3B244-2D24 * | 24" X 24" X 14" | 123" X 29-1/2" | 24" | 172 |

* WITH TWO SETS OF FAUCET HOLES

SOME UNITS SHIP UNASSEMBLED FOR REDUCED SHIPPING COST. ALL DIMENSIONS ARE TYPICAL. TOLERANCE +/- .500"

John Boos & Co. is constantly engaged in a program of improving products and therefore reserves the right to change specifications without prior notice.



3601 S. Banker St. • Effingham, IL 62401 • PO BOX 609 • quotes@johnboos.com

www.johnboos.com

062217

129