

THE BLOCKS THAT MADE BOOS FAMOUS

Professional (Model AA)

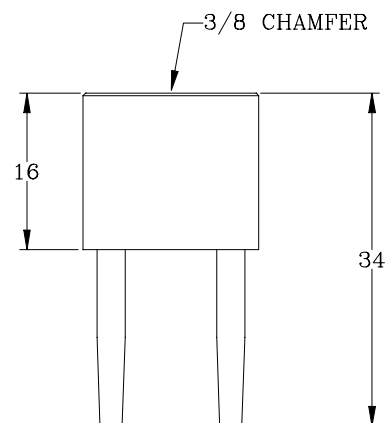
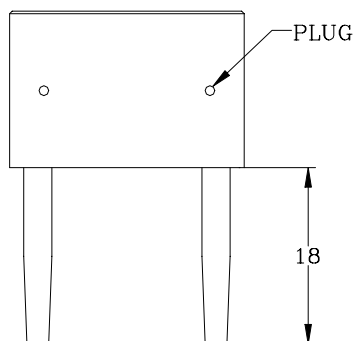
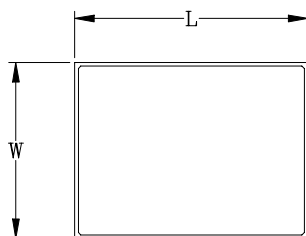


FEATURES:

- * Solid Hard Rock Maple
- * 16" Thick End Grain Work Surface
- * Finished with Varnique on legs & sides w / Penetrating Oil Top
- * Stand 34" O.A.H.
- * Options: Wood Knife Holder, Stainless Steel Base
- * Shipped knocked-down, easy - to - assemble

Model	Size	Wt
AA01	24"x18"	216
AA02	24"x24"	287
AA03	30"x24"	348
AA04	30"x30"	386
AA05	35"x30"	499
AA06	40"x30"	567
AA07	50"x30"	705
AA10	35"x35"	579
AA11	40"x35"	659
*AA12	50"x35"	819
*AA13	60"x35"	979

* Denotes standard blocks with six legs per block



MATERIAL:

Top: End Grain Hard Rock Maple
Legs: Hard Rock Maple

John Boos & Co

315 South First Street - Effingham, IL 62401
Phone: 217-347-7701 - Fax: 217-347-7705
Email: sales@johnboos.com - Web-site: www.johnboos.com