



**John  
BOOS**  
Since 1887

ITEM #: \_\_\_\_\_ QTY: \_\_\_\_\_  
 MODEL #: \_\_\_\_\_  
 PROJECT NAME: \_\_\_\_\_

063017

3601 S. Banker St. Effingham, IL 62401 • P.O. BOX 609 • Ph: (888) 431-2667 • Fax: (800) 433-2667

## "BHSPR" WALL SHELVES W/ POT RACK - STAINLESS STEEL

### FEATURES:

- TYPE 300 STAINLESS STEEL W/ #4 POLISH, SATIN FINISH
- FINISHED W/ A SAFETY STALLION FRONT EDGE
- 1-1/2" TURNED UP BACKSPLASH
- 12" OR 16" DEPTH
- SHIPPED KNOCKED-DOWN, EASY-TO-ASSEMBLE
- STAINLESS STEEL POKK RACK BAR AND HOOKS (1 HOOK PER FOOT)
- ALL MODELS ARE NSF CERTIFIED

### MATERIAL:

- SHELF: TYPE 300 STAINLESS STEEL W/ #4 POLISH, SATIN FINISH
- BRACKETS: TYPE 300 STAINLESS STEEL W/ #4 POLISH, SATIN FINISH



\* (ASTERISK) DENOTES  
3 SUPPORT BRACKETS

### CONSTRUCTION:

- STAINLESS STEEL SHELVES ARE MIG WELDED
- EXPOSED WELDS ARE POLISHED TO MATCH ADJACENT SURFACE

### 12" WIDE STAINLESS STEEL WALL SHELVES

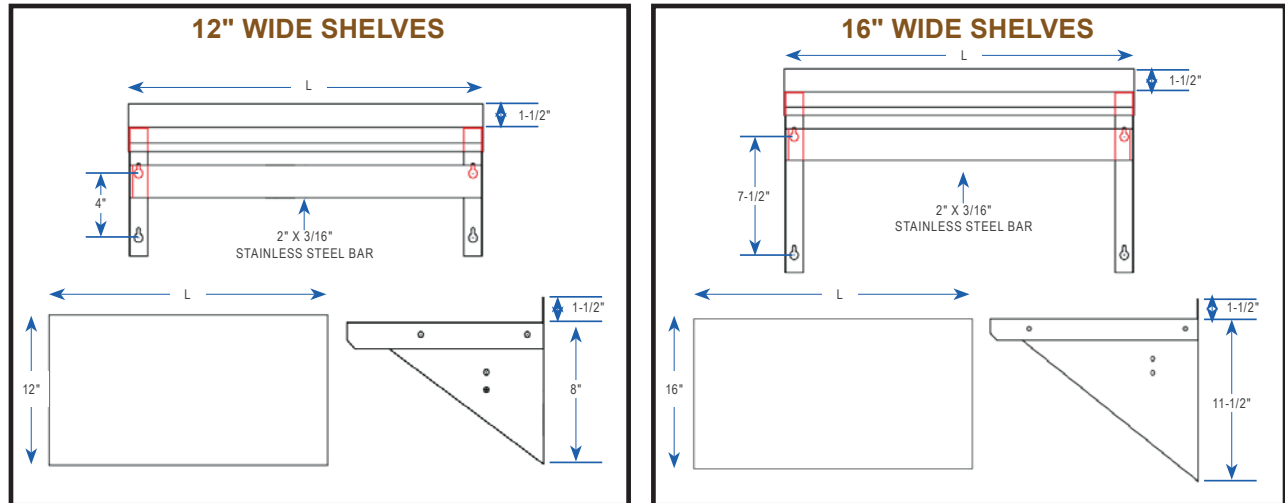
18 GAUGE	QTY	16 GAUGE	QTY	14 GAUGE	QTY
BHS1224PR		BHS1224PR-16/304		BHS1224PR-14/304	
BHS1236PR		BHS1236PR-16/304		BHS1236PR-14/304	
BHS1248PR		BHS1248PR-16/304		BHS1248PR-14/304	
BHS1260PR		BHS1260PR-16/304		BHS1260PR-14/304	
BHS1272PR *		BHS1272PR-16/304		BHS1272PR-14/304	
BHS1284PR *		BHS1284PR-16/304 *		BHS1284PR-14/304 *	
BHS1296PR *		BHS1296PR-16/304 *		BHS1296PR-14/304 *	
BHS12108PR *		BHS12108PR-16/304 *		BHS12108PR-14/304 *	
BHS12120PR *		BHS12120PR-16/304 *		BHS12120PR-14/304 *	
BHS12132PR *		BHS12132PR-16/302 *		BHS12132PR-14/304 *	
BHS12144PR *		BHS12144PR-16/304 *		BHS12144PR-14/304 *	

### 16" WIDE STAINLESS STEEL WALL SHELVES

18 GAUGE	QTY	16 GAUGE	QTY	14 GAUGE	QTY
BHS1624PR		BHS1624PR-16/304		BHS1624PR-14/304	
BHS1636PR		BHS1636PR-16/304		BHS1636PR-14/304	
BHS1648PR		BHS1648PR-16/304		BHS1648PR-14/304	
BHS1660PR		BHS1660PR-16/304		BHS1660PR-14/304	
BHS1672PR*		BHS1672PR-16/304		BHS1672PR-14/304	
BHS1684PR *		BHS1684PR-16/304 *		BHS1684PR-14/304 *	
BHS1696PR *		BHS1696PR-16/304 *		BHS1696PR-14/304 *	
BHS16108PR *		BHS16108PR-16/304 *		BHS16108PR-14/304 *	
BHS16120PR *		BHS16120PR-16/304 *		BHS16120PR-14/304 *	
BHS16132PR *		BHS16132PR-16/302 *		BHS16132PR-14/304 *	
BHS16144PR *		BHS16144PR-16/304 *		BHS16144PR-14/304 *	

UNITS 6 FT. AND LARGER ARE FURNISHED WITH 3 SUPPORT BRACKETS.

# DETAILED SPECIFICATIONS



## 12" WIDE STAINLESS STEEL WALL SHELVES

LENGTH	18 GAUGE	WT. (LBS)	16 GAUGE	WT. (LBS)	14 GAUGE	WT. (LBS)
24"	BHS1224PR	9	BHS1224PR-16/304	12	BHS1224PR-14/304	16
36"	BHS1236PR	12	BHS1236PR-16/304	15	BHS1236PR-14/304	20
48"	BHS1248PR	16	BHS1248PR-16/304	18	BHS1248PR-14/304	24
60"	BHS1260PR	21	BHS1260PR-16/304	21	BHS1260PR-14/304	27
72"	BHS1272PR *	25	BHS1272PR-16/304	24	BHS1272PR-14/304	30
84"	BHS1284PR *	29	BHS1284PR-16/304 *	30	BHS1284PR-14/304 *	35
96"	BHS1296PR *	33	BHS1296PR-16/304 *	34	BHS1296PR-14/304 *	40
108"	BHS12108PR *	36	BHS12108PR-16/304 *	38	BHS12108PR-14/304 *	45
120"	BHS12120PR *	39	BHS12120PR-16/304 *	43	BHS12120PR-14/304 *	49
132"	BHS12132PR *	43	BHS12132PR-16/302 *	48	BHS12132PR-14/304 *	53
144"	BHS12144PR *	46	BHS12144PR-16/304 *	52	BHS12144PR-14/304 *	57

## 16" WIDE STAINLESS STEEL WALL SHELVES

LENGTH	18 GAUGE	WT. (LBS)	16 GAUGE	WT. (LBS)	14 GAUGE	WT. (LBS)
24"	BHS1624PR	10	BHS1624PR-16/304	14	BHS1624PR-14/304	17
36"	BHS1636PR	14	BHS1636PR-16/304	17	BHS1636PR-14/304	23
48"	BHS1648PR	18	BHS1648PR-16/304	21	BHS1648PR-14/304	28
60"	BHS1660PR	24	BHS1660PR-16/304	26	BHS1660PR-14/304	33
72"	BHS1672PR *	30	BHS1672PR-16/304	30	BHS1672PR-14/304	38
84"	BHS1684PR *	34	BHS1684PR-16/304 *	36	BHS1684PR-14/304 *	45
96"	BHS1696PR *	38	BHS1696PR-16/304 *	40	BHS1696PR-14/304 *	50
108"	BHS16108PR *	43	BHS16108PR-16/304 *	44	BHS16108PR-14/304 *	55
120"	BHS16120PR *	48	BHS16120PR-16/304 *	48	BHS16120PR-14/304 *	60
132"	BHS16132PR *	53	BHS16132PR-16/302 *	52	BHS16132PR-14/304 *	65
144"	BHS16144PR *	58	BHS16144PR-16/304 *	56	BHS16144PR-14/304 *	70

SOME UNITS SHIP UNASSEMBLED FOR REDUCED SHIPPING COST. ALL DIMENSIONS ARE TYPICAL. TOLERANCE +/- .500"

John Boos & Co. is constantly engaged in a program of improving products and therefore reserves the right to change specifications without prior notice.



3601 S. Banker St. • Effingham, IL 62401 • PO BOX 609 • quotes@johnboos.com

063017



[www.johnboos.com](http://www.johnboos.com)

393