



**John  
BOOS**  
Since 1887

ITEM #: \_\_\_\_\_ QTY: \_\_\_\_\_  
MODEL #: \_\_\_\_\_  
PROJECT NAME: \_\_\_\_\_

010318

3601 S. Banker St. Effingham, IL 62401 • P.O. BOX 609 • Ph: (888) 431-2667 • Fax: (800) 433-2667

## "PB-SRW" SOLID SORTING SHELVES - WALL MOUNTED



### FEATURES:

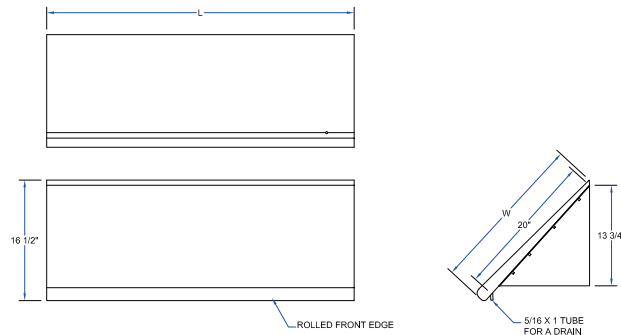
- SOLID SORTING WALL SHELF

### CONSTRUCTION:

- TIG-WELDED WITH EXPOSED SURFACES BLENDED TO MATCH

### MATERIAL:

- BRACKETS: 18 GAUGE TYPE 300 STAINLESS STEEL
- SHELF: 18 GAUGE TYPE 300 STAINLESS STEEL



### SOLID SORTING SHELVES - WALL MOUNTED

MODEL #	QTY	L	W	H	WT. (LBS)
PB-SRW-21		21"	22"	16.5"	5
PB-SRW-42		42"	22"	16.5"	10
PB-SRW-63		63"	22"	16.5"	28

## "BHS-TS" TUBULAR SORTING SHELVES - WALL MOUNTED

### FEATURES:

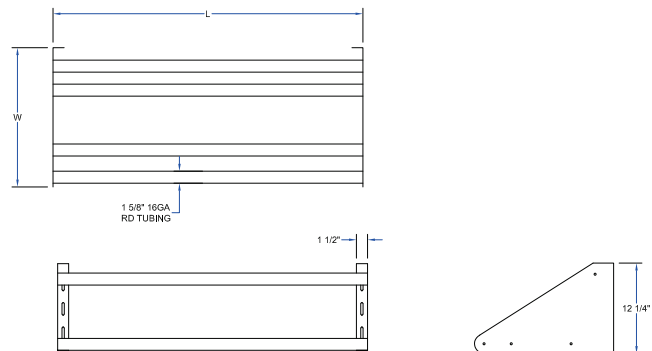
- DUAL PURPOSE OPEN DESIGN, WALL MOUNTED SORTING SHELF

### CONSTRUCTION:

- UNIT IS SHIPPED WITH ASSEMBLY HARDWARE, NO WELDING

### MATERIAL:

- BRACKETS: 16GA TYPE 300 STAINLESS STEEL
- TUBING: 1-5/8" DIAMETER 16GA TYPE 300 STAINLESS STEEL



### TUBULAR SORTING SHELVES - WALL MOUNTED

MODEL #	QTY	L	W	H	WT. (LBS)
BHS1822-TS		22"	18"	12-1/4"	20
BHS1842-TS		42"	18"	12-1/4"	23
BHS1863-TS		63"	18"	12-1/4"	35
BHS1882-TS		82"	18"	12-1/4"	38

SOME UNITS SHIP UNASSEMBLED FOR REDUCED SHIPPING COST. ALL DIMENSIONS ARE TYPICAL. TOLERANCE +/- .500"

John Boos & Co. is constantly engaged in a program of improving products and therefore reserves the right to change specifications without prior notice.