



**John  
BOOS**  
Since 1887

ITEM #: \_\_\_\_\_ QTY: \_\_\_\_\_  
MODEL #: \_\_\_\_\_  
PROJECT NAME: \_\_\_\_\_

011719

3601 S. Banker St. Effingham, IL 62401 • P.O. BOX 609 • Ph: (888) 431-2667 • Fax: (800) 433-2667

## **"E1S8-2D" - 1 COMPARTMENT "E-SERIES" SINKS**

### **WITH 2 DRAIN BOARDS AND GALVANIZED LEGS**



#### **FEATURES:**

- 18GA STAINLESS STEEL
- TYPE 300 STAINLESS STEEL WITH #4 POLISH, SATIN FINISH
- 12" AND 14" DEEP BOWLS
- ALL CORNERS, BOTH VERTICAL AND HORIZONTAL, COVED AT 3/4" RADIUS
- BOTTOMS OF BOWLS FORMED FOR DRAINAGE TO 3-1/2" DIAMETER DIE STAMPED OPENING
- FULL LENGTH 9-3/4" HIGH BOXED BACKSPLASH, WITH 2" RETURN TO WALL AT 45 DEGREE AND 1" TILE EDGE
- 1-1/8" FAUCET HOLES IN BACKSPLASH
- ALL OUTSIDE CORNERS OF ASSEMBLY ARE BULLNOSED TO PROVIDE SAFE, CLEAN, AND POLISHED EDGE
- STANDARD GALVANIZED LEGS 1-5/8" DIAMETER

#### **CONSTRUCTION:**

- TOP: STAINLESS STEEL SINKS ARE TIG WELDED, EXPOSED WELDS ARE POLISHED TO MATCH ADJACENT SURFACE
- BASE: GALVANIZED STEEL

#### **MATERIAL:**

- BOWLS & TOP: 18GA TYPE 300 STAINLESS STEEL WITH #4 POLISH, SATIN FINISH
- LEGS: 1-5/8" ROUND O.D. GALVANIZED STEEL
- GUSSETS: GALVANIZED STEEL
- FEET: 1" PLASTIC BULLET FEET

#### **12" DEEP - 1 COMP SINKS - 18GA**

MODEL	BOWL SIZE (W <sub>1</sub> X L <sub>1</sub> X D <sub>1</sub> )	QTY
E1S8-1620-12T18	16" X 20" X 12"	
E1S8-18-12T18	18" X 18" X 12"	

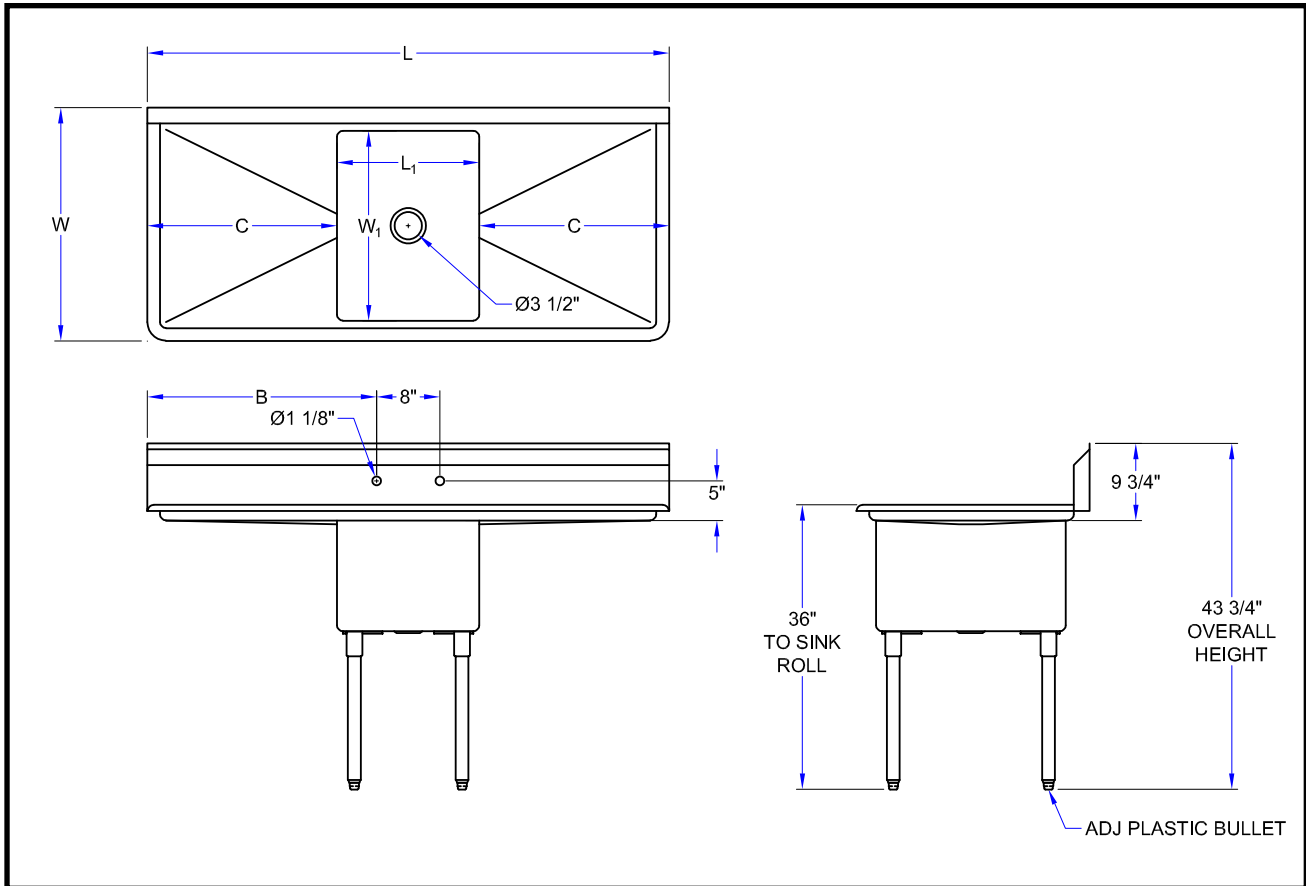
#### **14" DEEP - 1 COMP SINKS - 18GA**

MODEL	BOWL SIZE (W <sub>1</sub> X L <sub>1</sub> X D <sub>1</sub> )	QTY
E1S8-15-14T15	15" X 15" X 14"	
E1S8-1824-14T24	18" X 24" X 14"	
E1S8-24-14T24	24" X 24" X 14"	



E1S8-1824-14T24

## DETAILED SPECIFICATIONS



### 12" DEEP - 18GA - "E1S8-2D" 1 COMPARTMENT "E-SERIES" SERIES SINKS

MODEL	L	W	L1	W1	A	B	C	WT (LBS)
E1S8-18-12T18	54"	23-1/2"	18"	18"	11-15/16"	23"	18"	54
E1S8-1620-12T18	52"	25-1/2"	16"	20"	12-15/16"	22"	18"	55

### 14" DEEP - 18GA - "E1S8-2D" 1 COMPARTMENT "E-SERIES" SERIES SINKS

MODEL	L	W	L1	W1	A	B	C	WT (LBS)
E1S8-15-14T15	45"	20-1/2"	15"	15"	10-7/16"	18-1/2"	15"	42
E1S8-24-14T24	72"	29-1/2"	24"	24"	14-15/16"	32"	24"	76
E1S8-1824-14T24	66"	29-1/2"	18"	24"	14-15/16"	29"	24"	71

SOME UNITS SHIP UNASSEMBLED FOR REDUCED SHIPPING COST. ALL DIMENSIONS ARE TYPICAL. TOLERANCE +/- .500"  
 John Boos & Co. is constantly engaged in a program of improving products and therefore reserves the right to change specifications without prior notice.



3601 S. Banker St. • Effingham, IL 62401 • PO BOX 609 • quotes@johnboos.com

[www.johnboos.com](http://www.johnboos.com)