



**John
BOOS**
Since 1887

ITEM #: _____ QTY: _____

MODEL #: _____

PROJECT NAME: _____

121817

3601 S. Banker St. Effingham, IL 62401 • P.O. BOX 609 • Ph: (888) 431-2667 • Fax: (800) 433-2667

"EUBBS-SL" SLIM-LINE UNDERBAR BLENDER STATION

FEATURES:

- FABRICATED SINK BOWL: 14" X 10" X 6" DEEP
- STAINLESS STEEL LEGS AND BRACING WITH ADJUSTABLE BULLET FEET
- 4" ON-CENTER SPLASH MOUNT FAUCET HOLES

CONSTRUCTION:

- TOP: STAINLESS STEEL TOPS ARE TIG WELDED, EXPOSED WELDS ARE POLISHED TO MATCH ADJACENT SURFACE.

MATERIAL:

- TOP: 18GA 300 SERIES STAINLESS STEEL
- BRACING: STAINLESS STEEL
- LEGS: STAINLESS STEEL
- FEET: PLASTIC



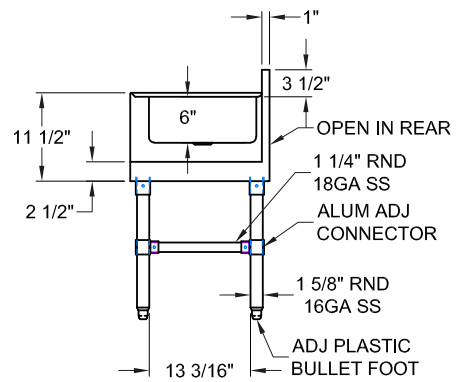
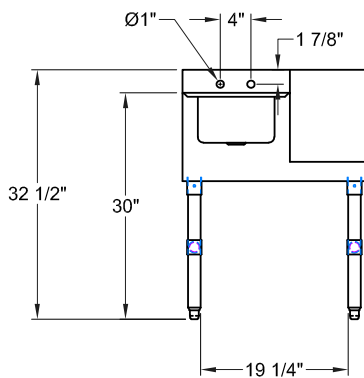
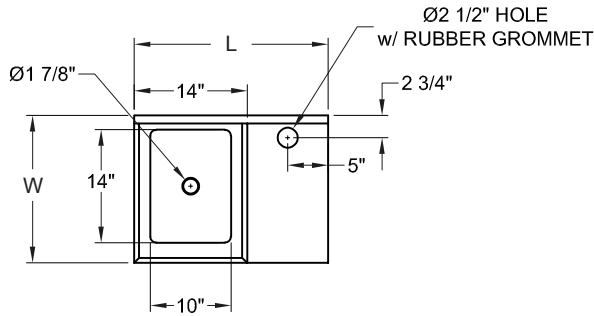
SLIM-LINE UNDERBAR BLENDER STATION

MODEL #	QTY
EUBBS-1410-SL	

OPTIONAL ACCESSORIES

MODEL #	QTY
STAINLESS STEEL LEGS	

DETAILED SPECIFICATIONS



SLIM-LINE UNDERBAR BLENDER STATION

MODEL #	LENGTH	WIDTH	HEIGHT	WT. (LBS)
EUBBS-1410-SL	24"	18"	32-1/2"	52

WEIGHTS ARE SUBJECT TO ADDITIONAL PACKAGING

SOME UNITS SHIP UNASSEMBLED FOR REDUCED SHIPPING COST. ALL DIMENSIONS ARE TYPICAL. TOLERANCE +/- .500"
 John Boos & Co. is constantly engaged in a program of improving products and therefore reserves the right to change specifications without prior notice.



3601 S. Banker St. • Effingham, IL 62401 • PO BOX 609 • quotes@johnboos.com

www.johnboos.com