

ITEM #: _____ QTY: _____
 MODEL #: _____
 PROJECT NAME: _____

121817

3601 S. Banker St. Effingham, IL 62401 • P.O. BOX 609 • Ph: (888) 431-2667 • Fax: (800) 433-2667

"EUBIB-18" SLIM-LINE UNDERBAR ICE BINS



FEATURES:

- INSULATED ICE BIN 12" DEEP, WITH DRAIN
- STAINLESS STEEL LEGS AND BRACING WITH ADJUSTABLE BULLET FEET
- ICE BIN LID INCLUDED

MATERIAL:

- TOP: 18GA 300 SERIES STAINLESS STEEL
- BRACING: STAINLESS STEEL
- LEGS: STAINLESS STEEL
- FEET: PLASTIC

CONSTRUCTION:

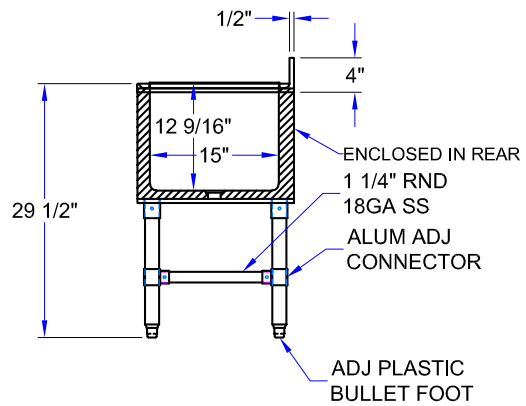
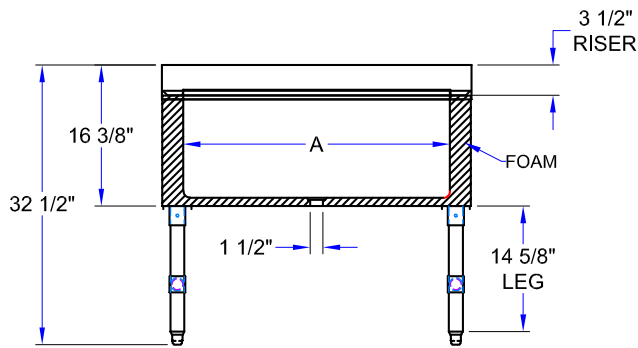
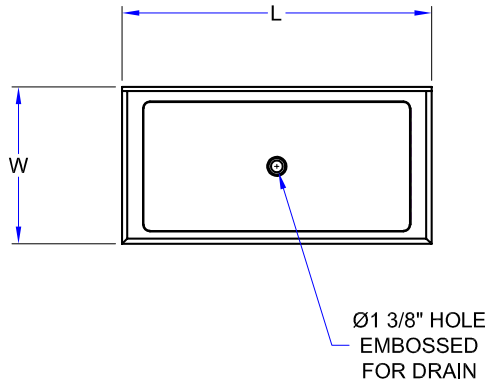
- TOP: STAINLESS STEEL TOPS ARE TIG WELDED, EXPOSED WELDS ARE POLISHED TO MATCH ADJACENT SURFACE.



SLIM-LINE UNDERBAR ICE BINS

| MODEL # | QTY |
|------------|-----|
| EUBIB-2418 | |
| EUBIB-3018 | |
| EUBIB-3618 | |
| EUBIB-4818 | |

DETAILED SPECIFICATIONS



SLIM-LINE UNDERBAR ICE BINS

| MODEL # | LENGTH | WIDTH | HEIGHT | A | WT. (LBS) |
|------------|--------|-------|---------|---------|-----------|
| EUBIB-2418 | 24" | 18" | 29-1/2" | 20-3/8" | 61 |
| EUBIB-3018 | 30" | 18" | 29-1/2" | 25" | 68 |
| EUBIB-3618 | 36" | 18" | 29-1/2" | 31" | 80 |
| EUBIB-4818 | 48" | 18" | 29-1/2" | 43" | 104 |

WEIGHTS ARE SUBJECT TO ADDITIONAL PACKAGING

SOME UNITS SHIP UNASSEMBLED FOR REDUCED SHIPPING COST. ALL DIMENSIONS ARE TYPICAL. TOLERANCE +/- .500"
John Boos & Co. is constantly engaged in a program of improving products and therefore reserves the right to change specifications without prior notice.



3601 S. Banker St. • Effingham, IL 62401 • PO BOX 609 • quotes@johnboos.com

121817

35



www.johnboos.com