



**John
BOOS**
Since 1887

ITEM #: _____ QTY: _____
 MODEL #: _____
 PROJECT NAME: _____

070919

3601 S. Banker St. Effingham, IL 62401 • P.O. BOX 609 • Ph: (888) 431-2667 • Fax: (800) 433-2667

"GS6-SSK" EQUIPMENT STANDS

STAINLESS STEEL BASE



FEATURES:

- 16GA TYPE 300 STAINLESS STEEL TOP WITH #4 POLISH, SATIN FINISH
- 1-1/2" STALLION EDGE ON FRONT. TURNED UP BACK AND BOTH SIDES
- TOP FRAME IS REINFORCED BY A FULL FRAME FABRICATED OF 1-1/2" SQUARE O.D. TUBE 16GA STAINLESS STEEL
- STAINLESS STEEL BASE
- SHIPPED KNOCKED-DOWN, EASY - TO - ASSEMBLE

MATERIAL:

- TOP: 16GA STAINLESS STEEL TYPE 300 STAINLESS STEEL WITH #4 POLISH, SATIN FINISH
- SHELF: 18GA STAINLESS STEEL
- LEGS: 1-5/8" ROUND O.D. 16 GA TUBULAR STAINLESS STEEL
- GUSSETS: STAINLESS STEEL
- FEET: 1" ADJUSTABLE STAINLESS BULLET FEET

CONSTRUCTION:

- TOP: STAINLESS STEEL TOPS ARE TIG WELDED, EXPOSED WELDS ARE POLISHED TO MATCH ADJACENT SURFACE



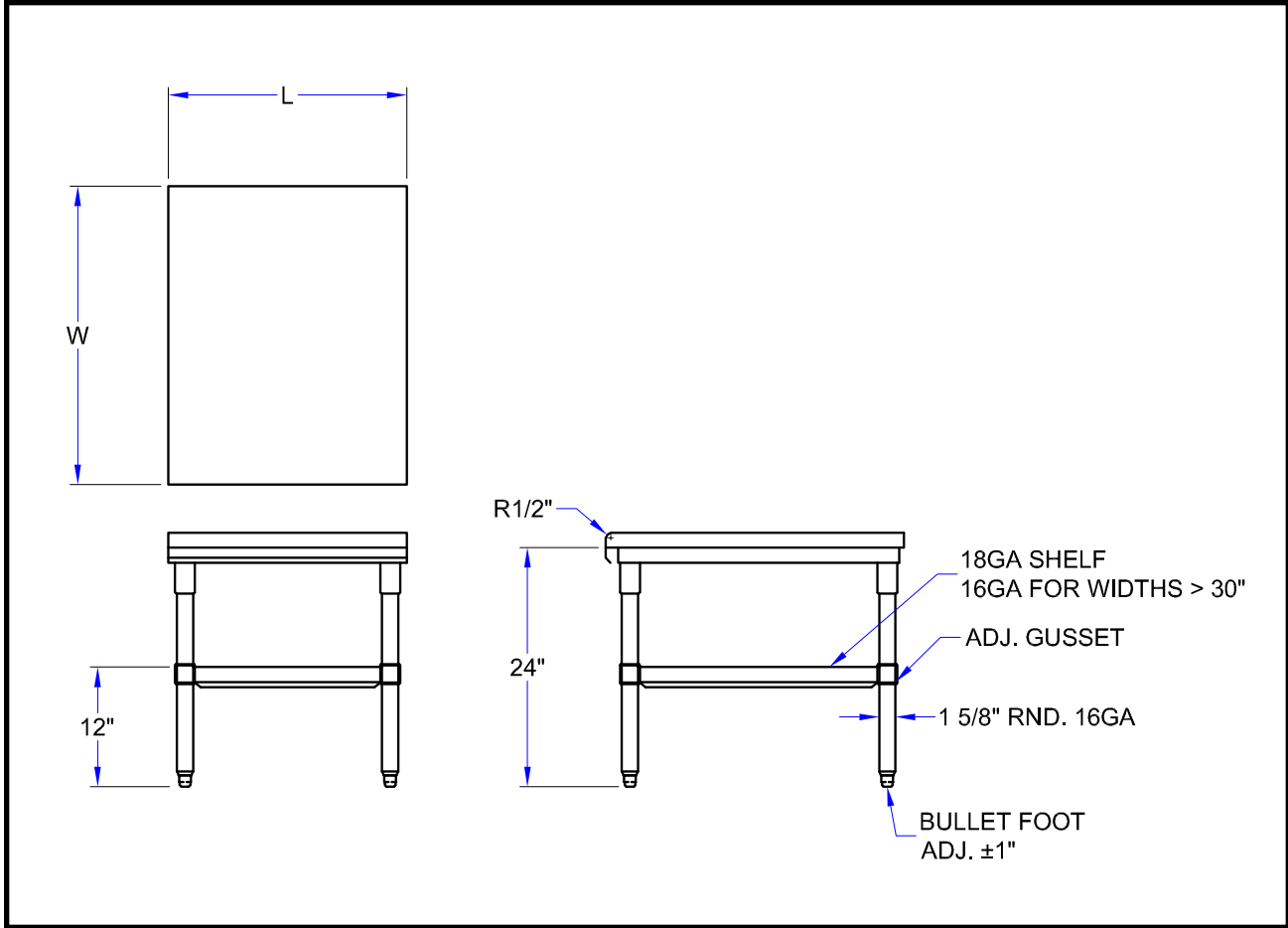
OPTIONAL ACCESSORIES

DESCRIPTION	QTY
MAPLE CUTTING BOARDS	
WELDED SET-UP	

"GS6-SSK" EQUIPMENT STANDS W/ STAINLESS SHELF BASE

24" WIDE	QTY	30" WIDE	QTY	36" WIDE	QTY
GS6-2415SSK		GS6-3015SSK		GS6-3615SSK	
GS6-2418SSK		GS6-3018SSK		GS6-3618SSK	
GS6-2424SSK		GS6-3024SSK		GS6-3624SSK	
GS6-2430SSK		GS6-3030SSK		GS6-3630SSK	
GS6-2436SSK		GS6-3036SSK		GS6-3636SSK	
GS6-2448SSK		GS6-3048SSK		GS6-3648SSK	
GS6-2460SSK		GS6-3060SSK		GS6-3660SSK	
GS6-2472SSK		GS6-3072SSK		GS6-3672SSK	

DETAILED SPECIFICATIONS



"GS6-SSK" EQUIPMENT STANDS W/ STAINLESS STEEL SHELF BASE

LENGTH	24" WIDE	WT. (LBS)	30" WIDE	WT. (LBS)	36" WIDE	WT. (LBS)
15"	GS6-2415SSK	30	GS6-3015SSK	36	GS6-3615SSK	38
18"	GS6-2418SSK	36	GS6-3018SSK	40	GS6-3618SSK	44
24"	GS6-2424SSK	47	GS6-3024SSK	51	GS6-3624SSK	55
30"	GS6-2430SSK	60	GS6-3030SSK	63	GS6-3630SSK	80
36"	GS6-2436SSK	65	GS6-3036SSK	69	GS6-3636SSK	73
48"	GS6-2448SSK	80	GS6-3048SSK	90	GS6-3648SSK	100
60"	GS6-2460SSK	95	GS6-3060SSK	111	GS6-3660SSK	127
72"	GS6-2472SSK	111	GS6-3072SSK	132	GS6-3672SSK	154

SOME UNITS SHIP UNASSEMBLED FOR REDUCED SHIPPING COST. ALL DIMENSIONS ARE TYPICAL. TOLERANCE +/- .500"
 John Boos & Co. is constantly engaged in a program of improving products and therefore reserves the right to change specifications without prior notice.



3601 S. Banker St. • Effingham, IL 62401 • PO BOX 609 • quotes@johnboos.com

www.johnboos.com