



**John  
BOOS**  
Since 1887

ITEM #: \_\_\_\_\_ QTY: \_\_\_\_\_

MODEL #: \_\_\_\_\_

PROJECT NAME: \_\_\_\_\_

092419

3601 S. Banker St. Effingham, IL 62401 • P.O. BOX 609 • Ph: (888) 431-2667 • Fax: (800) 433-2667

## **"PB-DISINK-3" PRO-BOWL DROP-IN HAND SINK**



### **3 BOWL**

#### **FEATURES:**

- FABRICATED
- ALL SINK BOWLS HAVE LARGE LIBERAL RADII CORNERS
- INCLUDES 3-1/2" BASKET DRAIN
- DECK MOUNT FAUCET HOLES - 4" ON-CENTER

#### **MATERIAL:**

- BOWL: TYPE 300 STAINLESS STEEL POLISH, SATIN FINISH
- BRACKET: TYPE 300 STAINLESS STEEL POLISH, SATIN FINISH

#### **CONSTRUCTION:**

- BOWL: STAINLESS STEEL TOPS ARE TIG WELDED, EXPOSED WELDS ARE POLISHED TO MATCH ADJACENT SURFACE.



PB-DISINK101410-3



PB-DISINK162012-3

### **PRO-BOWL DROP-IN HAND SINKS**

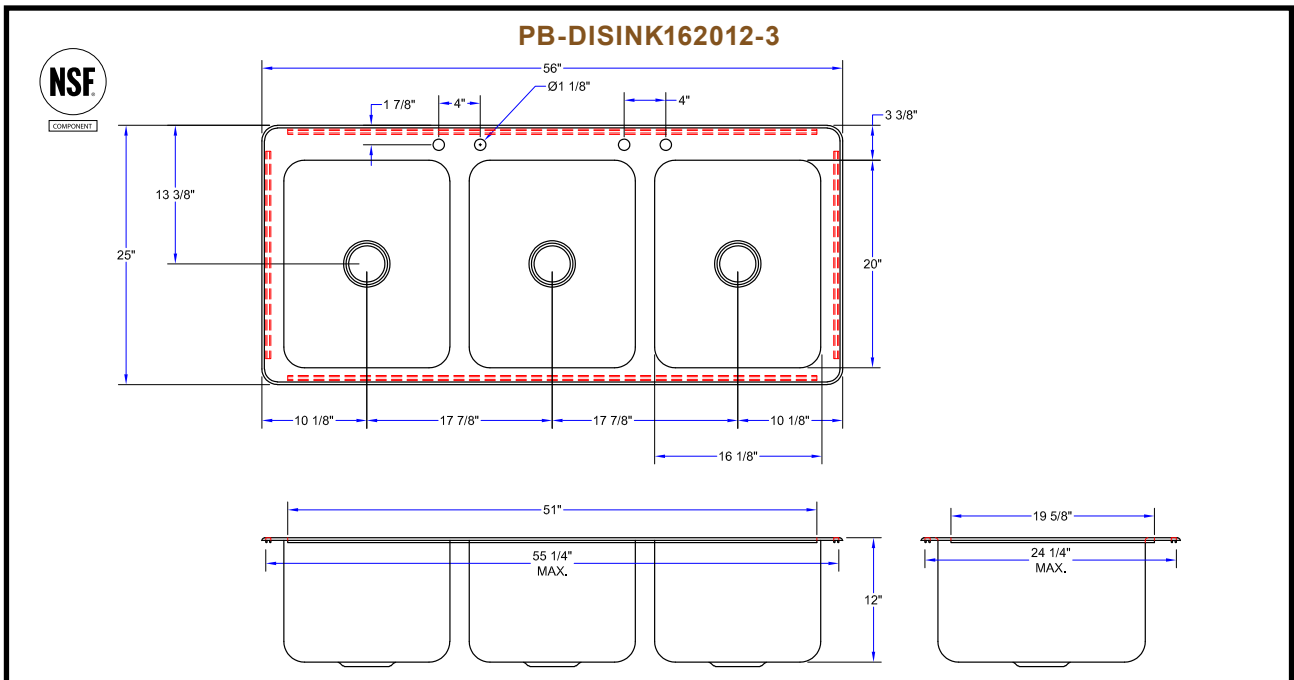
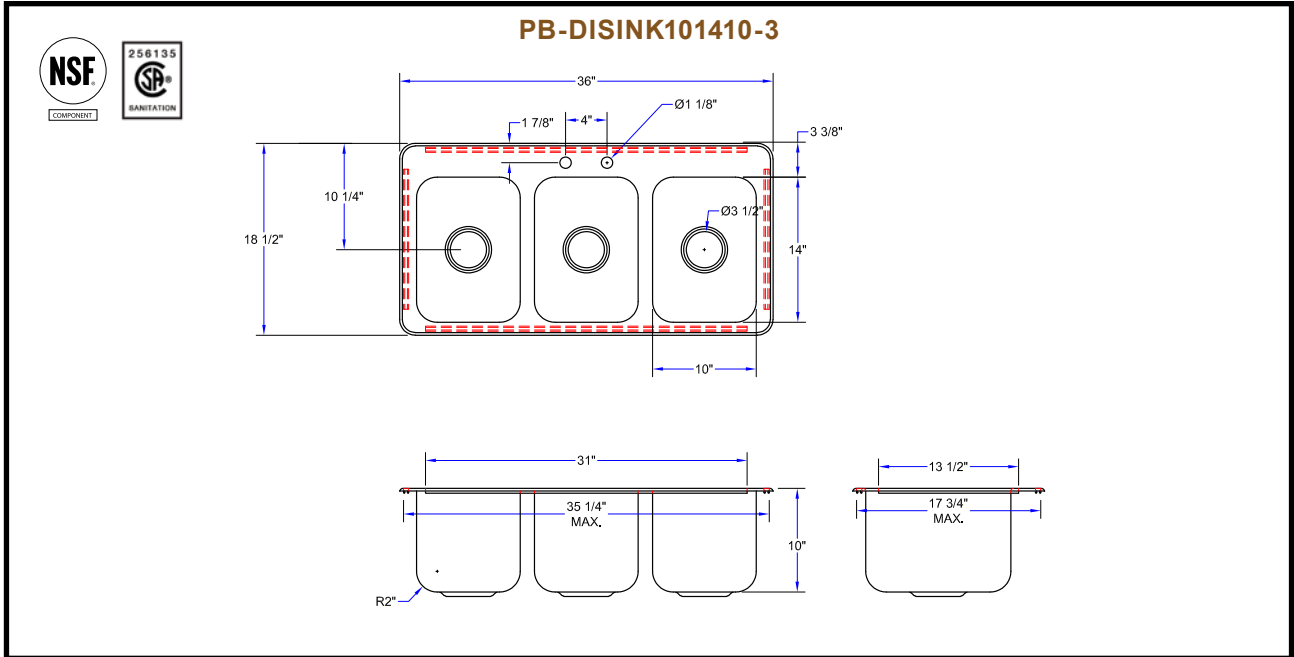
MODEL #	QTY
PB-DISINK101410-3	
PB-DISINK162012-3	

**\*\*CALL FACTORY FOR CUT OUT SIZES.\*\***

### **OPTIONAL ACCESSORIES**

DESCRIPTION	QTY
FAUCETS	
ADA WRIST BLADES	
TOWEL DISPENSER	
LEVER WASTES	
OVER FLOWS	
P-TRAPS	

# DETAILED SPECIFICATIONS



## PRO-BOWL DROP-IN HAND SINKS

MODEL #	BOWL SIZE (LxWxD)	SINK SIZE (LxWxD)	CERTIFICATION	SIDE SPLASH
PB-DISINK101410-3	10" X 14" X 10" (3 SINK BOWLS)	36" X 18-1/2" X 10"	NSF COMPONENT, CSA	N/A
PB-DISINK162012-3	16-1/8" X 20" X 12" (3 SINK BOWLS)	56" X 25" X 12"	NSF COMPONENT	N/A

\*\* SUGGESTED CUTOUT. VERIFY WITH PHYSICAL SINK DIMENSIONS FOR CUTOUT SIZE.  
\*\* WEIGHTS ARE SUBJECT TO ADDITIONAL PACKAGING

SOME UNITS SHIP UNASSEMBLED FOR REDUCED SHIPPING COST. ALL DIMENSIONS ARE TYPICAL. TOLERANCE +/- .500"  
John Boos & Co. is constantly engaged in a program of improving products and therefore reserves the right to change specifications without prior notice.