



**John
BOOS**
Since 1887

ITEM #: _____ QTY: _____
 MODEL #: _____
 PROJECT NAME: _____

071917

3601 S. Banker St. Effingham, IL 62401 • P.O. BOX 609 • Ph: (888) 431-2667 • Fax: (800) 433-2667

"ST6R5-SSK" STAINLESS STEEL TOP WORK TABLES



16GA TOP W/ 5" RISER AND STAINLESS STEEL LEGS AND ADJUSTABLE UNDERSHELF

FEATURES:

- 16 GAUGE STAINLESS STEEL TOP W/ 5" RISER & TURNDOWN
- TYPE 300 STAINLESS STEEL WITH # 4 POLISH, SATIN FINISH
- TOP IS SOUND DEADENED
- REINFORCED WITH 1"X2" CHANNEL RUNNING ENTIRE LENGTH OF TABLE
- 1-1/2" STALLION EDGE ON FRONT SIDE EDGES
90 DEGREE BEND DOWN FOR TABLE LINE-UP
- STAINLESS STEEL BASE WITH ADJUSTABLE UNDERSHELF
- ADJUSTABLE BULLET FEET
- SHIPPED KNOCKED-DOWN, EASY-TO-ASSEMBLE
- NSF AND CSA CERTIFIED



ST6R5-3048SSK

CONSTRUCTION:

- TOP: STAINLESS STEEL TOPS ARE TIG WELDED, EXPOSED WELDS ARE POLISHED TO MATCH ADJACENT SURFACE.

MATERIAL:

- TOP: 16 GAUGE STAINLESS STEEL TYPE 300 STAINLESS STEEL WITH # 4 POLISH, SATIN FINISH
- SHELF: 18 GAUGE STAINLESS STEEL, (36" WIDE TABLES, 16 GAUGE LOWER SHELF)
- LEGS: 1-5/8" ROUND O.D. 16 GAUGE TUBULAR STAINLESS STEEL
- GUSSETS: STAINLESS STEEL
- FEET: 1" ADJUSTABLE STAINLESS BULLET FEET



ADJUSTABLE SHELF

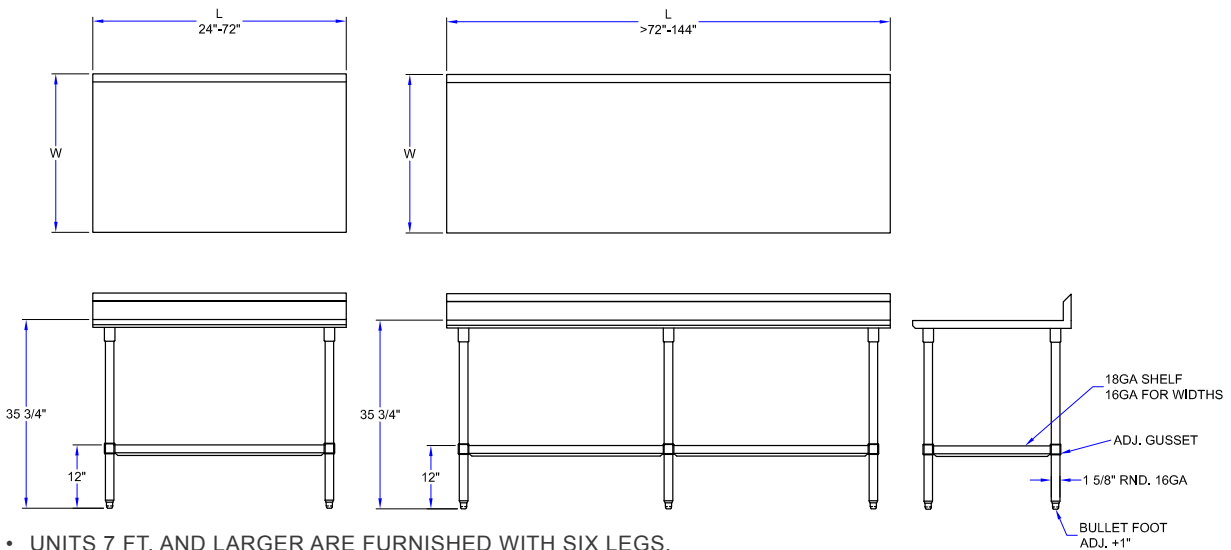
16 GAUGE TOP W/ ADJUSTABLE SHELF

24" WIDE	QTY	30" WIDE	QTY	36" WIDE	QTY
ST6R5-2424SSK		ST6R5-3024SSK		ST6R5-3624SSK	
ST6R5-2430SSK		ST6R5-3030SSK		ST6R5-3630SSK	
ST6R5-2436SSK		ST6R5-3036SSK		ST6R5-3636SSK	
ST6R5-2448SSK		ST6R5-3048SSK		ST6R5-3648SSK	
ST6R5-2460SSK		ST6R5-3060SSK		ST6R5-3660SSK	
ST6R5-2472SSK		ST6R5-3072SSK		ST6R5-3672SSK	
ST6R5-2484SSK		ST6R5-3084SSK		ST6R5-3684SSK	
ST6R5-2496SSK		ST6R5-3096SSK		ST6R5-3696SSK	
ST6R5-24108SSK		ST6R5-30108SSK		ST6R5-36108SSK	
ST6R5-24120SSK		ST6R5-30120SSK		ST6R5-36120SSK	
ST6R5-24132SSK		ST6R5-30132SSK		ST6R5-36132SSK	
ST6R5-24144SSK		ST6R5-30144SSK		ST6R5-36144SSK	

OPTIONAL ACCESSORIES

DESCRIPTION	MODEL #	QTY
DRAWER		
DRAWER LOCK		
CASTERS		
OVERSHELVES		
SINKS		
POT RACK		

DETAILED SPECIFICATIONS



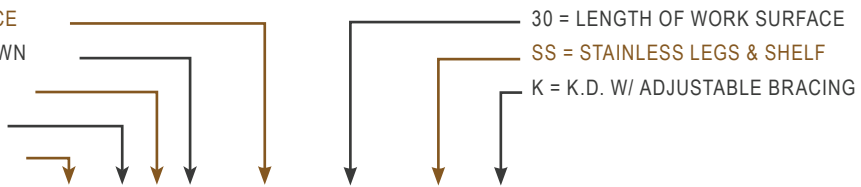
- UNITS 7 FT. AND LARGER ARE FURNISHED WITH SIX LEGS.
- FINISHED SIZE OF UNDERSHELF.
SHELF LENGTH = LENGTH MINUS 4.875"
SHELF WIDTH = WIDTH MINUS 4.25

16 GAUGE TOP W/ ADJUSTABLE UNDERSHELF

LENGTH	24" WIDE	WT. (LBS)	30" WIDE	WT. (LBS)	36" WIDE	WT. (LBS)
24"	ST6R5-2424SSK	44	ST6R5-3024SSK	49	ST6R5-3624SSK	58
30"	ST6R5-2430SSK	49	ST6R5-3030SSK	54	ST6R5-3630SSK	68
36"	ST6R5-2436SSK	55	ST6R5-3036SSK	62	ST6R5-3636SSK	75
48"	ST6R5-2448SSK	67	ST6R5-3048SSK	77	ST6R5-3648SSK	93
60"	ST6R5-2460SSK	80	ST6R5-3060SSK	91	ST6R5-3660SSK	111
72"	ST6R5-2472SSK	92	ST6R5-3072SSK	105	ST6R5-3672SSK	129
84"	ST6R5-2484SSK	111	ST6R5-3084SSK	127	ST6R5-3684SSK	159
96"	ST6R5-2496SSK	123	ST6R5-3096SSK	142	ST6R5-3696SSK	177
108"	ST6R5-24108SSK	136	ST6R5-30108SSK	155	ST6R5-36108SSK	193
120"	ST6R5-24120SSK	147	ST6R5-30120SSK	170	ST6R5-36120SSK	211
132"	ST6R5-24132SSK	159	ST6R5-30132SSK	184	ST6R5-36132SSK	228
144"	ST6R5-24144SSK	171	ST6R5-30144SSK	199	ST6R5-36144SSK	246

MODEL # STRUCTURE

24 = WIDTH OF WORK SURFACE
 5 = HT. OF RISER W/ TURNDOWN
 R = RISER TOP WORK TABLE
 6 = 16GA WORK SURFACE
 ST = STAINLESS STEEL TOP



ST6R5-2430SSK

SOME UNITS SHIP UNASSEMBLED FOR REDUCED SHIPPING COST. ALL DIMENSIONS ARE TYPICAL. TOLERANCE +/- .500"

John Boos & Co. is constantly engaged in a program of improving products and therefore reserves the right to change specifications without prior notice.



3601 S. Banker St. • Effingham, IL 62401 • PO BOX 609 • quotes@johnboos.com

103018



www.johnboos.com

219