



**John  
BOOS**  
Since 1887

ITEM #: \_\_\_\_\_ QTY: \_\_\_\_\_  
 MODEL #: \_\_\_\_\_  
 PROJECT NAME: \_\_\_\_\_

3601 S. Banker St. Effingham, IL 62401 • P.O. BOX 609 • Ph: (888) 431-2667 • Fax: (800) 433-2667

## **"ST6R5-GBK" STAINLESS STEEL TOP WORK TABLES**

### **16GA TOP W/5" RISER AND GALV LEGS AND ADJUSTABLE BRACING**



#### **FEATURES:**

- 16 GAUGE STAINLESS STEEL TOP W/ 5" RISER & TURNDOWN
- TYPE 300 STAINLESS STEEL WITH # 4 POLISH, SATIN FINISH
- TOP IS SOUND DEADENED
- REINFORCED WITH 1"X2" CHANNEL RUNNING ENTIRE LENGTH OF TABLE
- 1-1/2" STALLION EDGE ON FRONT SIDE EDGES  
90 DEGREE BEND DOWN FOR TABLE LINE-UP
- GALVANIZED BASE WITH ADJUSTABLE BRACING
- SHIPPED KNOCKED-DOWN, EASY-TO-ASSEMBLE
- NSF CERTIFIED



ST6R5-3048GBK

#### **CONSTRUCTION:**

- TOP: STAINLESS STEEL TOPS ARE TIG WELDED, EXPOSED WELDS ARE POLISHED TO MATCH ADJACENT SURFACE.

#### **MATERIAL:**

- TOP: 16 GAUGE STAINLESS STEEL TYPE 300 STAINLESS STEEL WITH # 4 POLISH, SATIN FINISH
- BRACING: 1-1/4" ROUND O.D. 18 GAUGE GALVANIZED STEEL
- LEGS: 1-5/8" ROUND O.D. 16 GAUGE TUBULAR GALVANIZED STEEL
- GUSSETS: GALVANIZED STEEL
- FEET: 1" GALVANIZED BULLET FEET



ADJUSTABLE BRACING

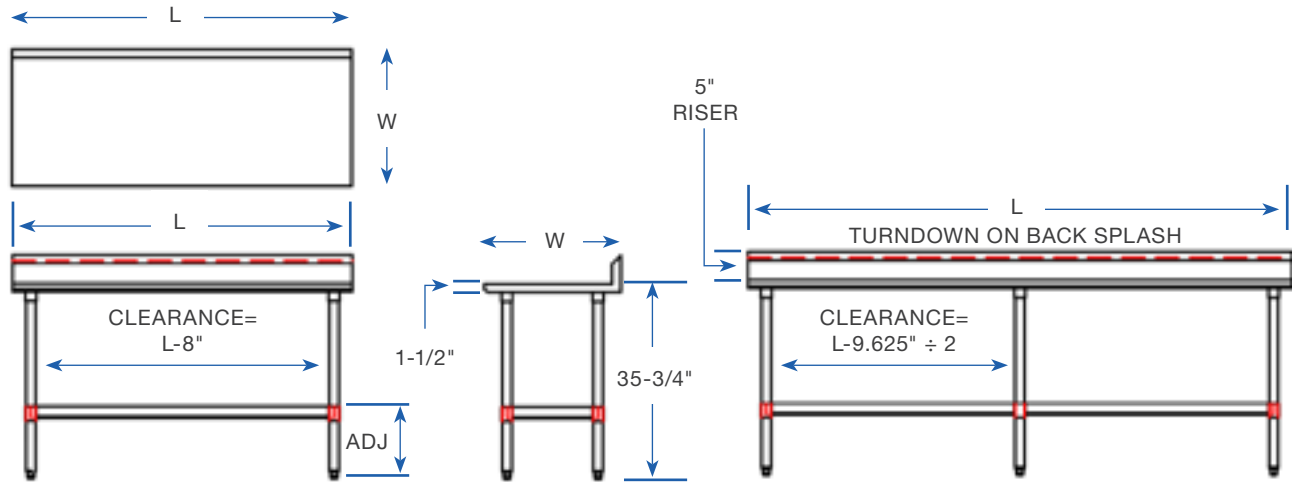
#### **16 GAUGE TOP W/ ADJUSTABLE BRACING**

24" WIDE	QTY	30" WIDE	QTY	36" WIDE	QTY
ST6R5-2430GBK		ST6R5-3030GBK		-	
ST6R5-2436GBK		ST6R5-3036GBK		ST6R5-3636GBK	
ST6R5-2448GBK		ST6R5-3048GBK		ST6R5-3648GBK	
ST6R5-2460GBK		ST6R5-3060GBK		ST6R5-3660GBK	
ST6R5-2472GBK		ST6R5-3072GBK		ST6R5-3672GBK	
ST6R5-2484GBK		ST6R5-3084GBK		ST6R5-3684GBK	
ST6R5-2496GBK		ST6R5-3096GBK		ST6R5-3696GBK	
ST6R5-24108GBK		ST6R5-30108GBK		ST6R5-36108GBK	
ST6R5-24120GBK		ST6R5-30120GBK		ST6R5-36120GBK	

#### **OPTIONAL ACCESSORIES**

DESCRIPTION	MODEL #	QTY
DRAWER		
DRAWER LOCK		
CASTERS		
OVERSHELVES		
SINKS		
POT RACK		

## DETAILED SPECIFICATIONS



- UNITS 7 FT. AND LARGER ARE FURNISHED WITH SIX LEGS.

### 16 GAUGE TOP W/ ADJUSTABLE BRACING

LENGTH	24" WIDE	WT. (LBS)	30" WIDE	WT. (LBS)	36" WIDE	WT. (LBS)
30"	ST6R5-2430GBK	48	ST6R5-3030GBK	48	-	-
36"	ST6R5-2436GBK	53	ST6R5-3036GBK	53	ST6R5-3636GBK	65
48"	ST6R5-2448GBK	64	ST6R5-3048GBK	64	ST6R5-3648GBK	72
60"	ST6R5-2460GBK	76	ST6R5-3060GBK	76	ST6R5-3660GBK	80
72"	ST6R5-2472GBK	87	ST6R5-3072GBK	87	ST6R5-3672GBK	93
84"	ST6R5-2484GBK	103	ST6R5-3084GBK	103	ST6R5-3684GBK	110
96"	ST6R5-2496GBK	118	ST6R5-3096GBK	118	ST6R5-3696GBK	127
108"	ST6R5-24108GBK	130	ST6R5-30108GBK	130	ST6R5-36108GBK	139
120"	ST6R5-24120GBK	141	ST6R5-30120GBK	141	ST6R5-36120GBK	151

### MODEL # STRUCTURE

30 = WIDTH OF WORK SURFACE  
 5 = HT. OF RISER W/ TURNDOWN  
 R = RISER TOP WORK TABLE  
 6 = 16GA WORK SURFACE  
 ST = STAINLESS STEEL TOP  
 120 = LENGTH OF WORK SURFACE  
 GB = GALVANIZED LEGS & BRACING  
 K = K.D. W/ ADJUSTABLE BRACING

## ST6R5-30120GBK

SOME UNITS SHIP UNASSEMBLED FOR REDUCED SHIPPING COST. ALL DIMENSIONS ARE TYPICAL. TOLERANCE +/- .500"  
 John Boos & Co. is constantly engaged in a program of improving products and therefore reserves the right to change specifications without prior notice.