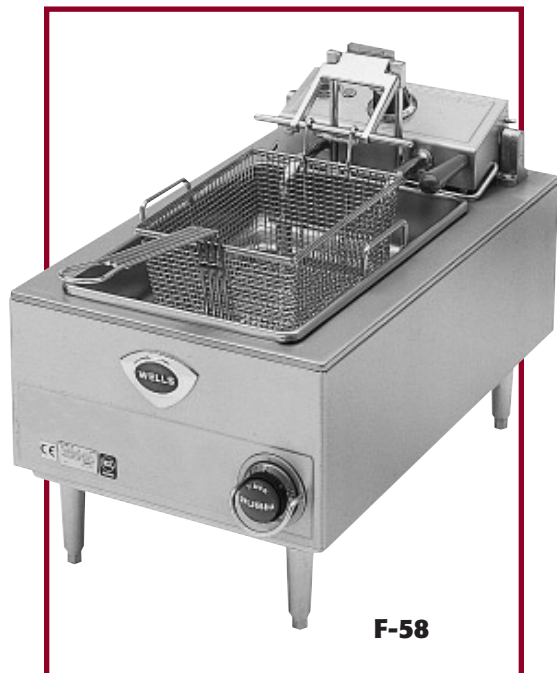


# F-58 COUNTERTOP AUTOLIFT FRYER

F-58 COUNTERTOP AUTOLIFT FRYER



Wells F-58 Autolift Fryer is one of the most durable and easy-to-use fryers in the industry. A swing-up element allows the frypot to be removed for easy cleaning. The low watt density heating element provides extended oil life.

## Features

- The autolift fryer has an **adjustable one to fifteen minute push-button timer** that automatically lifts the fry basket from oil.
- **One full-size, rear-hanging fry basket** is included with every fryer.
- **Swing-up element**, located below the fry basket, is heavy-duty stainless steel with a low watt density for longer oil life.
- **Element frame assembly** has a spring-loaded support rod to secure element when in a raised position.
- **Deep-drawn, removable frypot** is made of nickel-plated steel and can hold up to fifteen pounds of oil.
- **A manual reset safety thermostat** will shut off the heating element power and illuminate the signal light if an over-temperature condition is reached.
- **Temperature Control System (TCS)**, includes a positive-off precision thermostat to assure quick recovery.
- **The F-58 Fryer** is Underwriters Laboratories, Inc. LISTED and meets NSF International and Canadian standards.
- **A one-year warranty** against defects covers parts and labor.

## Specifications

<b>Overall Dimensions:</b>	<b>Inches</b>	<b>MM</b>
Width	14 3/4	375
Depth	23 1/2	597
Height (incl. 4" legs)	16 3/8	416
<b>Oil Capacity:</b>	<b>Lbs.</b>	<b>KG</b>
F-58	15	7
<b>Temperature Range:</b>	<b>Fahrenheit</b>	<b>Celsius</b>
F-58	275° to 375°	135° to 191°
<b>Pre-Heat Time to 350° F:</b> 4 1/2 minutes		
<b>Watts Per Hour to Maintain 350° F:</b>		450
<b>Typical Production:</b>	<b>Per Hour</b>	
French Fries 2 oz. servings	300	
Chicken pounds	20	
<b>Weights:</b>	<b>Lbs.</b>	<b>KG</b>
Installed	42	19
Shipping	48	22

### Export

The following model is available for export and meets the standards for CE:

- **F-58EU, STS, 380-415V, 3Ø, 5.8 KW**

## Accessories / Options

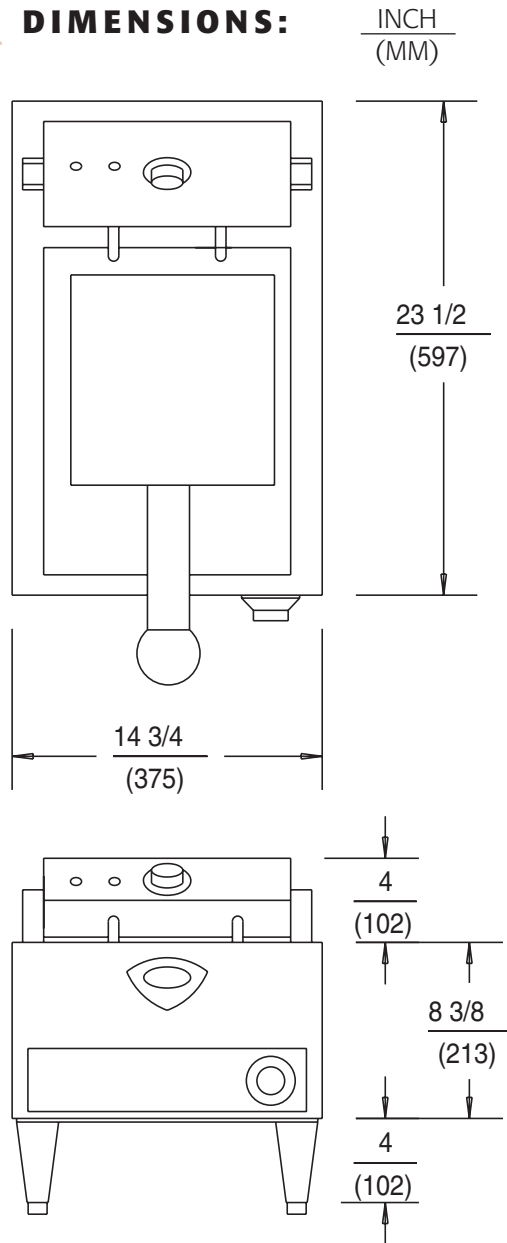
- Legs**, set of four, metal, 4" adjustable, 20563
- Basket**, half-size (2 per fry pot), 20161
- Basket**, full size (1 per fry pot), 20162
- Crumb Cradle**, 20690
- Fry Pot Cover**, 21010



R A I S I N G T H E S T A N D A R D



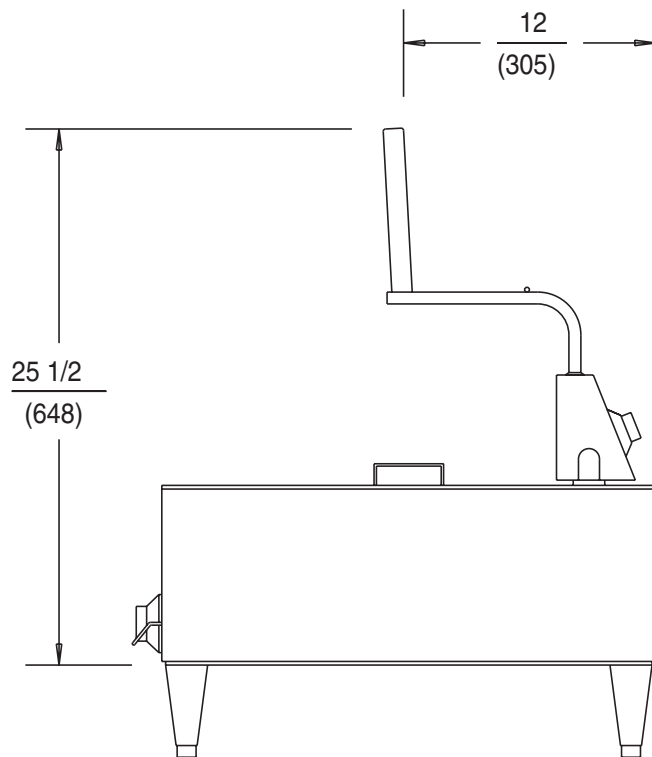
## DIMENSIONS:



## MODEL F-58 AUTOLIFT FRYER

MINIMUM CLEARANCE REQUIRED FROM UNIT TO THE NEAREST SURFACE			
BACK	SIDE	BOTTOM	FRONT
NA	NA	NA	40
NA	NA	NA	(1016)

NOTE: Depending on the installation, clearances can be reduced upon further evaluations to UL standards.



## F-58 ELECTRICAL SPECIFICATIONS:

MODELS	VOLTS	WATTS	AMPS PER LINE PHASE 3				AMPS SINGLE PHASE	POWER SUPPLY CORD
			L1	L2	L3	N		
F-58	208	5750	-	-	-	-	27.6	NONE
F-58	240	5750	-	-	-	-	24.0	NONE
F-58EU	380-415	5800	9.0	8.0	8.0	1.0	-	NONE

Denotes export (EU) products.

NOTE: Specifications are subject to change without notice.

WELLS MANUFACTURING COMPANY  
 2 ERIK CIRCLE, PO BOX 280, VERDI, NV 89439 U.S.A. • USA PHONE: (775) 689-5700 • FAX: (775) 689-5972  
 FOR ORDERS ONLY: (888) 356-5362 • FAX: (800) 356-5142 • www.wellsbloomfield.com  
 © 2001 WELLS MANUFACTURING • PRINTED IN THE U.S.A. • 04/01 • REV(1) • PART NO. 37064

