

G-23 GRIDDLE

G-23 GRIDDLE

G-23 shown with optional grooving



Wells G-23 Griddle is ideal for any commercial kitchen based on its versatile, easy-to-use design. In addition to the standard griddle surface there are two options to choose from, grooved or chrome-plated. The four positive-off thermostats allow individual zone control.

Specifications

Overall Dimensions:	Inches	MM
Width	36 1/2	927
Depth	29 9/16	751
Height	16	406

(incl. 4" legs & splashguard)

Grid Surface Dimensions:		
Width	34 1/4	870
Depth	24 5/16	618
Area	833 in ²	.54 m ²

Temperature Range:	Fahrenheit	Celsius
G-23	200° to 450°	93° to 232°

Number of Thermostats: 4

Pre-Heat Time to 400° F: 9 minutes

Watts Per Hour to Maintain 400° F: 2,200

Typical Production:	Per Load	Per Hour
Hamburgers	65	720
Steaks	24	288
Pancakes*	48	720
Eggs*	56	1008

* Not applicable to grooved surface

Weights:	Lbs.	KG
Installed	204	93
Shipping	260	118

Features

- Each individual thermostat controls an eight and one half-inch wide cooking surface.
- Enclosed tubular elements are clamped onto the griddle plate to provide even heat distribution over the entire surface.
- Removable splashguard makes clean up easier.
- The removable front grease drawer has a four-quart capacity.
- Controls are mounted with a protective guard ring to help prevent accidental temperature changes.
- Each unit is provided with 4" adjustable legs.
- A terminal block is provided for field connection to the main power supply.
- The G-23 Griddle is Underwriters Laboratories, Inc. LISTED and meets NSF International and Canadian standards.
- A one-year warranty against defects covers parts and labor.

Accessories / Options

Chrome-plated griddle surface, allows more efficient heat transfer throughout the cooking area, available by special order

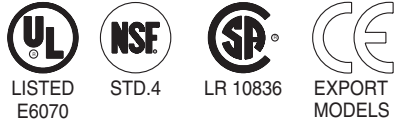
Grooved griddle surface, 3/4-inch thick ribbed steel plate that allows for the "branding" of meat products, available by special order

Export

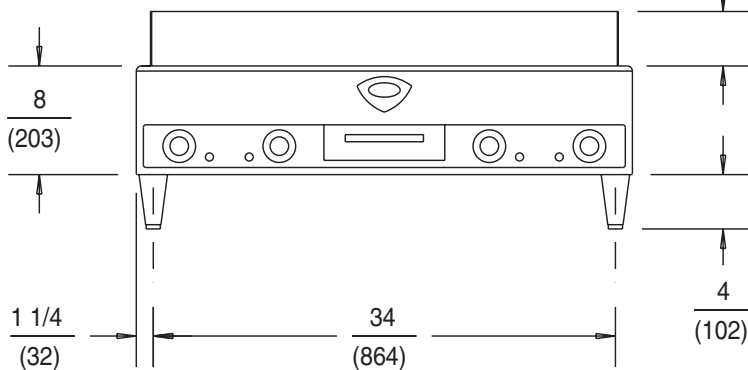
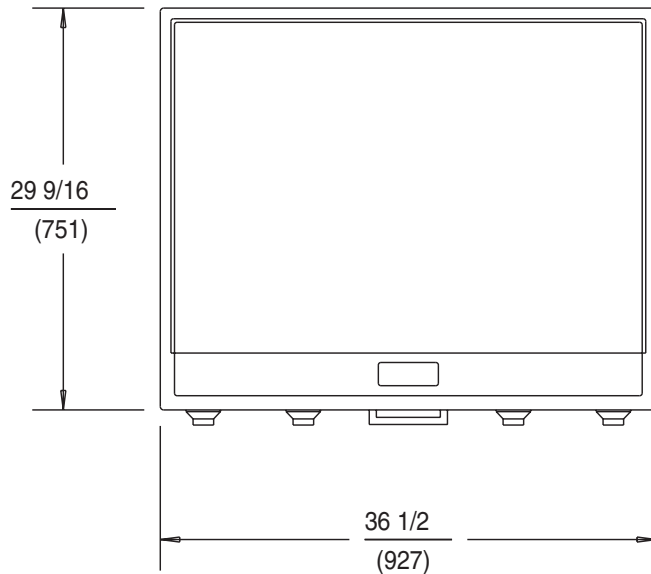
The following models are available for export and meet the standards for CE:

- G-23EU, 380-415V, 3NAC, 16000 watts
- PG-23EU, chrome plated, 380-415V, 3NAC, 16000 watts

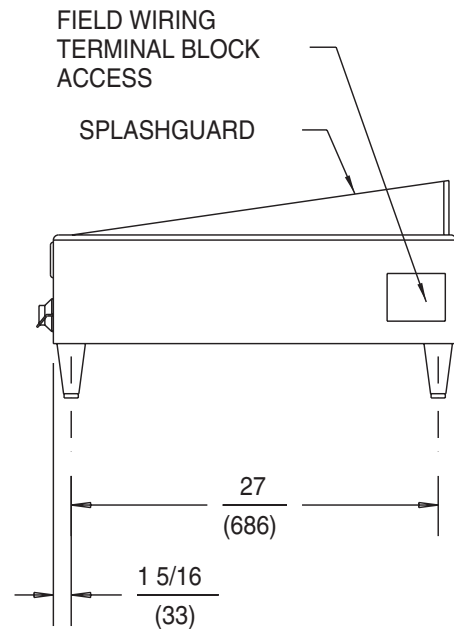




DIMENSIONS: INCH
 (MM)



MINIMUM CLEARANCE REQUIRED FROM UNIT TO THE NEAREST SURFACE		
BACK	SIDE	BOTTOM
$\frac{1}{1}$ (25)	$\frac{1}{1}$ (25)	$\frac{4}{4}$ (102)



G-23 ELECTRICAL SPECIFICATIONS:

MODELS	VOLTS	WATTS	AMPS PER LINE PHASE 3				AMPS SINGLE PHASE	POWER SUPPLY CORD
			L1	L2	L3	N		
G-23	208	16000	48.3	51.3	35.0	-	76.9	NONE
G-23	240	16000	41.7	44.4	30.4	-	66.6	NONE
G-23	480	16000	20.9	22.2	15.2	-	33.3	NONE
G-23EU	380-415	16000	15.8	31.6	19.2	38.6	-	NONE

Denotes export (EU) products.

NOTE: Specifications are subject to change without notice.

WELLS MANUFACTURING COMPANY
 2 ERIK CIRCLE, PO BOX 280, VERDI, NV 89439 U.S.A. • USA PHONE: (775) 689-5700 • FAX: (775) 689-5972
 FOR ORDERS ONLY: (888) 356-5362 • FAX: (800) 356-5142 • www.wellsbloomfield.com
 © 2001 WELLS MANUFACTURING • PRINTED IN THE U.S.A. • 2/01 • REV(F) • PART NO. 38856

