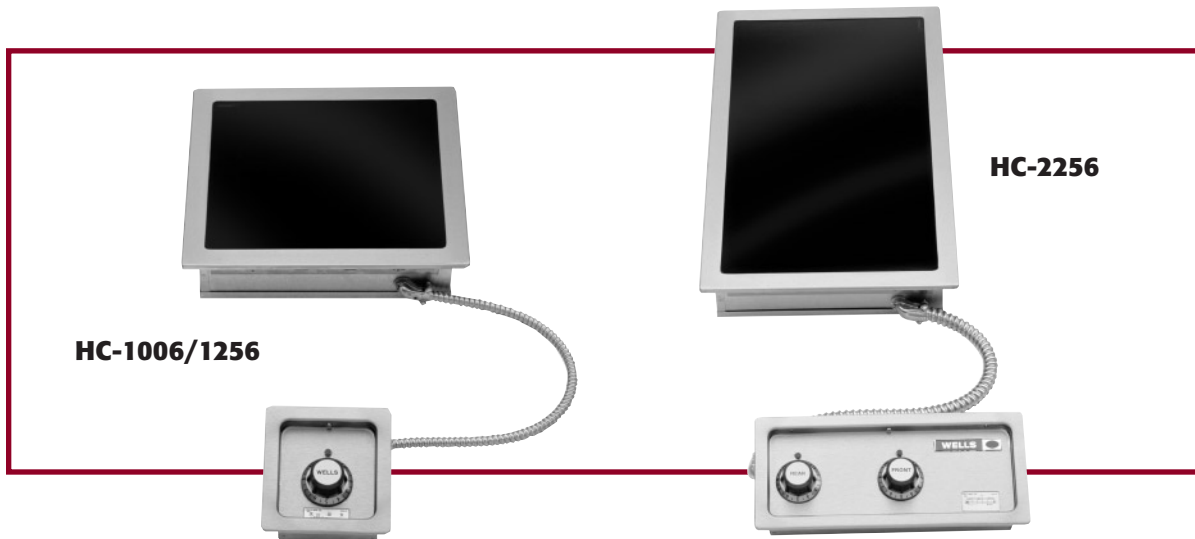


# HC-1006, HC-1256 AND HC-2256 BUILT-IN CERAMIC HOTPLATES

HC-1006, HC-1256 AND HC-2256 BUILT-IN CERAMIC HOTPLATES



Wells Ceramic Hotplates HC-1006, HC-1256 and HC-2256 are leaders in the hotplate industry because of their efficient and easy-to-use features. Heat-up is five times faster than conventional hotplates providing a clear advantage in commercial food preparation. The completely sealed ceramic surface resists spills and allows for easy clean up.

## Features

- Heats five times faster than any conventional hotplate, reducing cooking time and saving energy.
- Smooth, flat surface works with any pot or skillet and is easy to clean.
- Completely sealed, non-porous surface resists thermal shock (quick, extreme temperature changes).
- Long life, fast glowing, radiant element technology provides even heating of cooking surface that is ideal for display cooking and specialty applications.
- The HC-1006, HC-1256, and HC-2256 Hotplates are Underwriters Laboratories, Inc. LISTED and meet the National Sanitation Foundation and Canadian standards.
- A one-year warranty against defects covers parts and labor.

## Specifications

Overall Dimensions:	Inches	MM
<b>HC-1006:</b>		
Width	12 5/8	321
Depth	12 5/8	321
<b>HC-1256:</b>		
Width	14 3/4	375
Depth	14	356
<b>HC-2256:</b>		
Width	14 3/4	375
Depth	24 5/8	625

Temperature Settings: OFF/LO to HI

Weights:	Lbs.	KG
<b>HC-1006:</b>		
Installed	12	5
Shipping	15	7
<b>HC-1256:</b>		
Installed	13	6
Shipping	16	7
<b>HC-2256:</b>		
Installed	23	10
Shipping	26	12

## Export

The following models are available for export and meet the standards for CE:

- HC-1256EU, 220-240V, 1Ø, 2.5 KW
- HC-2256EU, 220-240V, 1Ø, 5.0 KW

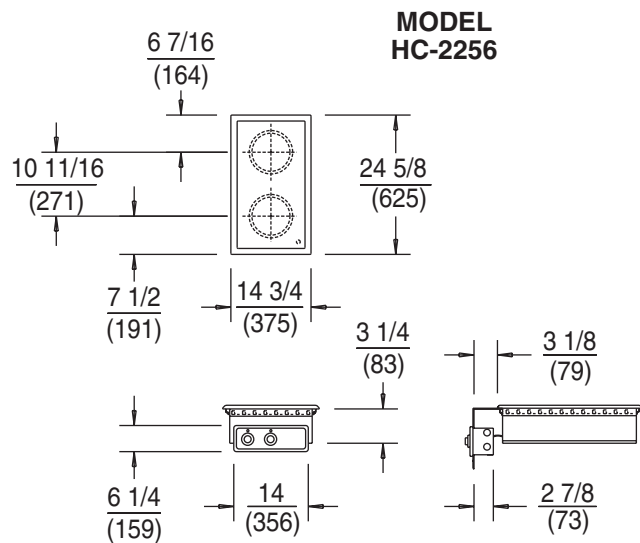
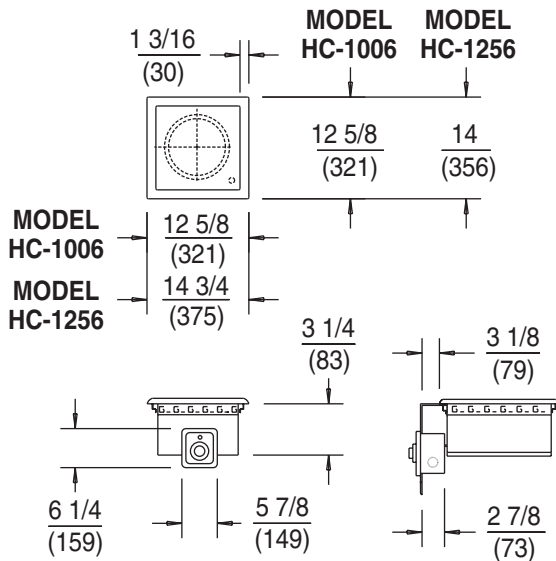




## MODELS HC-1006, HC-1256 HC-1256EU, HC-2256, HC-2256EU BUILT-IN HOTPLATES

**DIMENSIONS:** INCH  
(MM)

MINIMUM CLEARANCE REQUIRED FROM ALL UNITS TO THE NEAREST SURFACE.			
BACK	SIDE	BOTTOM	FRONT
$\frac{1}{1}$	$\frac{1}{1}$	$\frac{5}{5}$	$\frac{3 \ 5/8}{3 \ 5/8}$
(25)	(25)	(127)	(92)



### HC-1006, HC-1256, HC-1256EU, HC-2256 AND HC-2256EU ELECTRICAL SPECIFICATIONS:

MODELS	VOLTS	WATTS	AMPS PER LINE PHASE 3			AMPS SINGLE PHASE	POWER SUPPLY CORD
			L1	L2	L3		
HC-1006	120	1400	-	-	-	11.7	NONE
HC-1256	208	1900	-	-	-	9.0	NONE
HC-1256	240	2500	-	-	-	10.4	NONE
HC-1256EU	220-240	2500	-	-	-	10.4	NONE
HC-2256	208	3800	15.6	9.0	9.0	18.1	NONE
HC-2256	240	5000	18.0	10.4	10.4	20.8	NONE
HC-2256EU	220-240	5000	-	-	-	20.8	NONE

Denotes export (EU) products.

NOTE: Specifications are subject to change without notice. See installation instructions prior to installing the unit. This document is not for installation purposes.

WELLS MANUFACTURING COMPANY

2 ERIK CIRCLE, PO BOX 280, VERDI, NV 89439 U.S.A. • USA PHONE: (775) 689-5700 • FAX: (775) 689-5972

FOR ORDERS ONLY: (888) 356-5362 • FAX: (800) 356-5142 • www.wellsbloomfield.com

A SPECIALTY EQUIPMENT COMPANY • 2000 WELLS MANUFACTURING • PRINTED IN THE U.S.A. • 8/00 • REV(C) • PART NO. 301143

