

# HT-227, HT-327, HT-427, HT-527 DROP-IN BAIN MARIE WARMERS



HT-227, HT-327, HT-427, HT-527 DROP-IN BAIN MARIE WARMERS

The Wells 12" x 27" Drop-in Bain Marie Warmers economically meet your volume needs, designed with 33% more capacity than the standard Bain Marie warmers. The versatile heated tank can accommodate a variety of round or rectangular insets. The heavily insulated single warming pan and large volume provide consistent temperatures.

## Specifications

Temperature Settings:	OFF/LO to HI	
Weights:	Lbs.	KG
<b>HT-227:</b>		
Installed	49	22
Shipping	59	27
<b>HT-327:</b>		
Installed	71	32
Shipping	85	39
<b>HT-427:</b>		
Installed	94	43
Shipping	101	46
<b>HT-527:</b>		
Installed	101	46
Shipping	122	55

## Accessories / Options

**Wellslok Extension Kit**, designed for installation in a variety of countertops up to 1-1/2" thick, refer to installation instructions, 22593

**Drain Screen**, 21709

**Optional 72" Wiring**, thermostatically controlled warmers, priced per well (standard length is 24") contact factory.

## Features

- **The positive-off thermostat** controls the element allowing for adjustable and more consistent temperatures. A signal light indicates that the heating element is energized.
- **Control** is recessed in a one-piece, drawn, stainless steel panel to help prevent accidental temperature changes.
- Each unit has a **large 1-inch drain with removable screen** for easy cleaning.
- Interior and top flange are **heavy-duty (18 gauge) stainless steel** for maximum strength and durability.
- **Adapter bars** are included with each unit to allow the use of a variety of different sized pans.
- The Bain Marie warmers are designed for **wet operation only**.
- **Wellslok** allows for quick and easy installation in stainless steel countertops.
- The Bain Marie Warmers are **Underwriters Laboratories, Inc. LISTED** and meet NSF International and Canadian standards.
- **A one-year warranty** against defects covers parts and labor.





LISTED  
E6070



STD.4



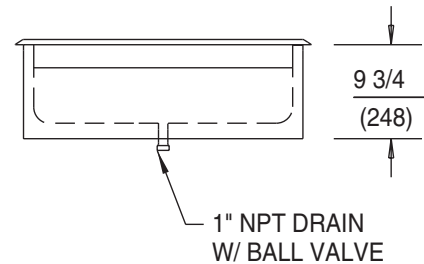
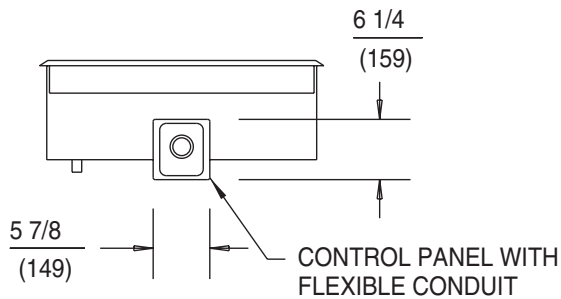
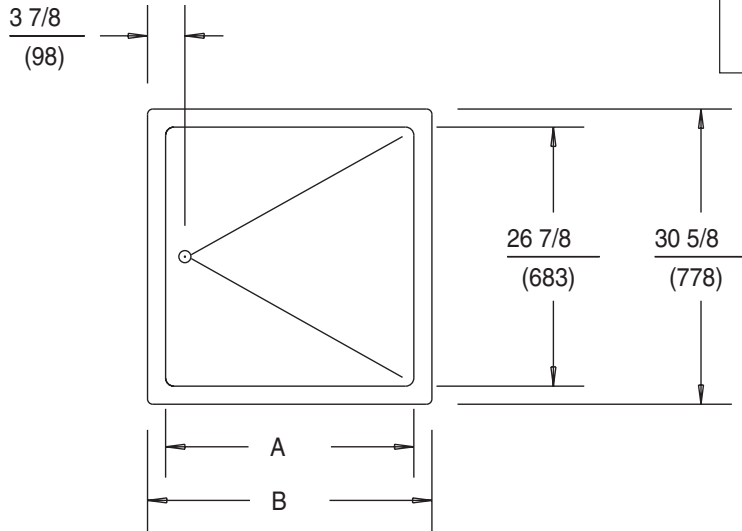
LISTED  
E6070

**MODELS  
HT-227, HT-327  
DROP-IN BAIN MARIE WARMERS**

**DIMENSIONS:**

INCH  
(MM)

MINIMUM CLEARANCE REQUIRED FROM UNIT TO THE NEAREST SURFACE			
BACK $\frac{1}{1}$ (25)	SIDE $\frac{1}{1}$ (25)	BOTTOM $\frac{10 \frac{3}{4}}{1}$ (273)	FRONT $\frac{4 \frac{1}{8}}{1}$ (105)



**DIMENSION SPECIFICATIONS:**

MODELS	DIMENSION 'A'		DIMENSION 'B'	
	INCHES	MM	INCHES	MM
HT-227	25 3/4	(654)	29 1/2	(749)
HT-327	39 3/4	(1010)	43 1/2	(1105)

**HT-227, HT-327 ELECTRICAL SPECIFICATIONS:**

MODELS	VOLTS	WATTS	AMPS	PHASE	POWER SUPPLY CORD
HT-227	208	2500	11.9	SINGLE	NONE
HT-227	240	3300	13.8	SINGLE	NONE
HT-327	208	3700	17.9	SINGLE	NONE
HT-327	240	5000	20.6	SINGLE	NONE

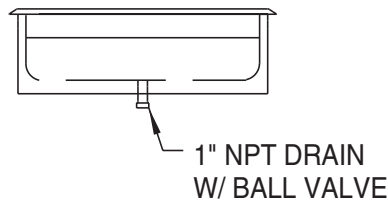
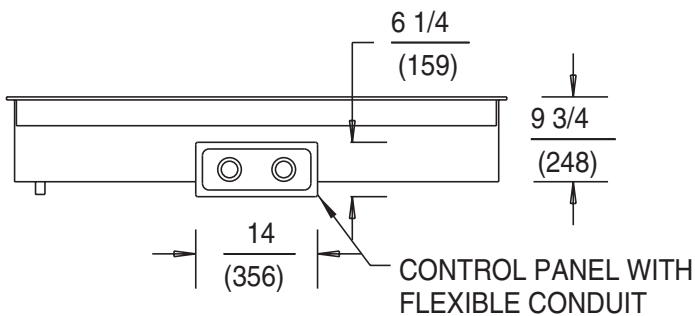
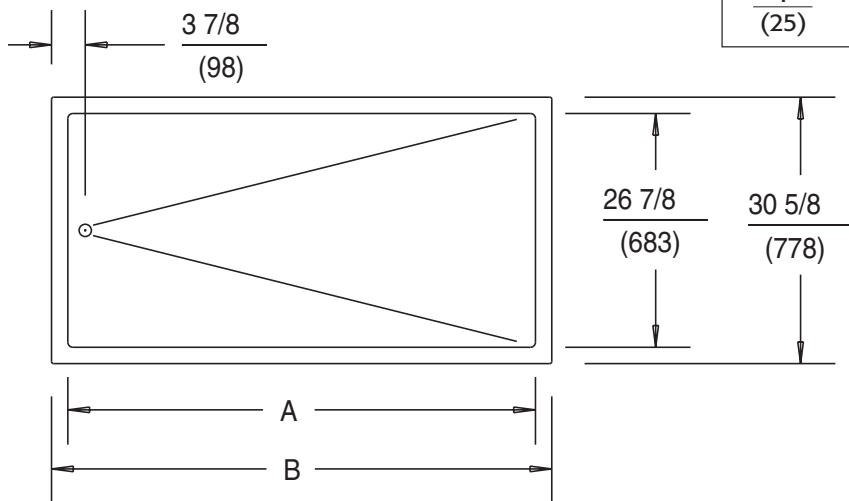
NOTE: Specifications are subject to change without notice. See installation instructions prior to installing the unit. This document is not for installation purposes.



**DIMENSIONS:**

INCH  
(MM)

MINIMUM CLEARANCE REQUIRED FROM UNIT TO THE NEAREST SURFACE			
BACK	SIDE	BOTTOM	FRONT
$\frac{1}{2}$ (25)	$\frac{1}{2}$ (25)	$10 \frac{3}{4}$ (273)	$4 \frac{1}{8}$ (105)



**DIMENSION SPECIFICATIONS:**

MODELS	DIMENSION 'A'		DIMENSION 'B'	
	INCHES	MM	INCHES	MM
HT-427	53 3/4	(1365)	57 1/2	(1461)

**HT-427 ELECTRICAL SPECIFICATIONS:**

MODELS	VOLTS	WATTS	AMPS PER LINE 3 PHASE			AMPS SINGLE PHASE	POWER SUPPLY CORD
			L1	L2	L3		
HT-427	208	5000	11.9	20.0	11.9	23.8	NONE
HT-427	240	6600	13.8	23.8	13.8	27.5	NONE

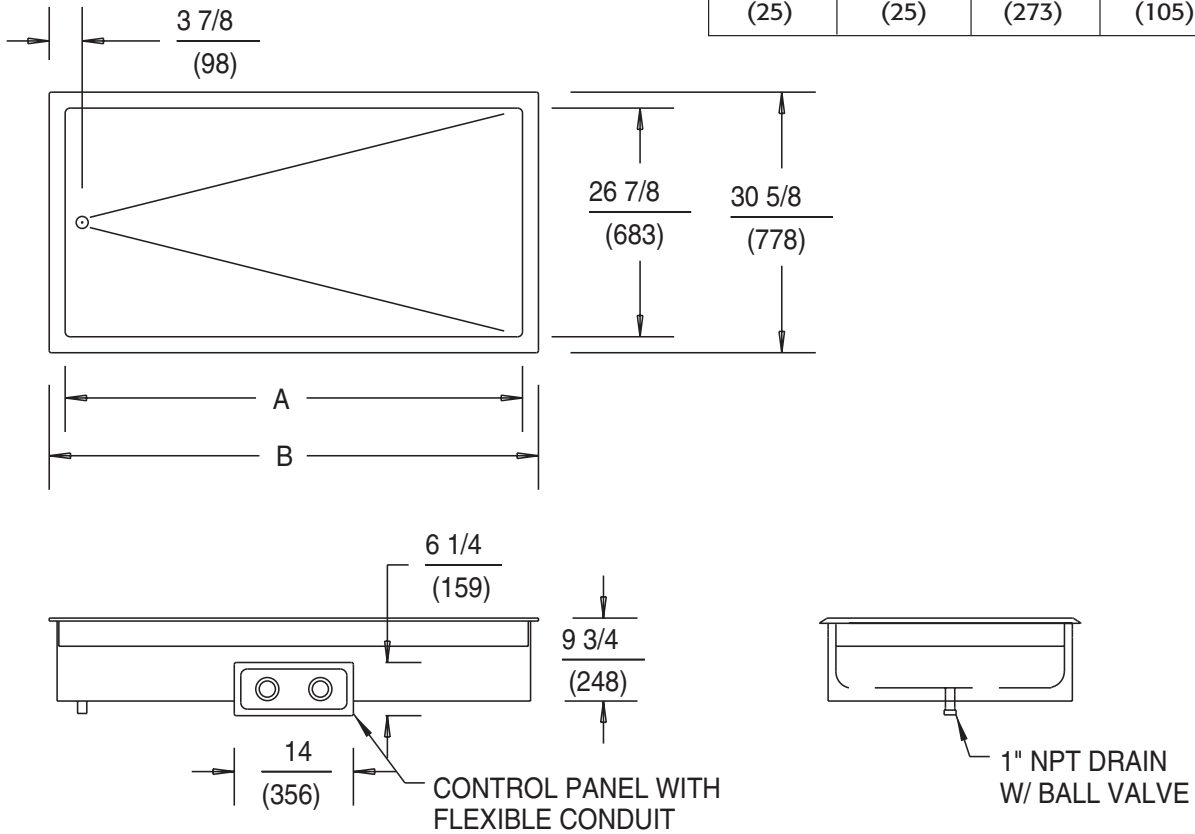
NOTE: Specifications are subject to change without notice. See installation instructions prior to installing the unit. This document is not for installation purposes.



**DIMENSIONS:**

INCH  
(MM)

MINIMUM CLEARANCE REQUIRED FROM UNIT TO THE NEAREST SURFACE			
BACK	SIDE	BOTTOM	FRONT
$\frac{1}{1}$ (25)	$\frac{1}{1}$ (25)	$\frac{10\ 3/4}{1}$ (273)	$\frac{4\ 1/8}{1}$ (105)



**DIMENSION SPECIFICATIONS:**

MODELS	DIMENSION 'A'		DIMENSION 'B'	
	INCHES	MM	INCHES	MM
HT-527	67 3/4	(1721)	71 1/2	(1816)

**HT-527 ELECTRICAL SPECIFICATIONS:**

MODELS	VOLTS	WATTS	AMPS PER LINE 3 PHASE			AMPS SINGLE PHASE	POWER SUPPLY CORD
			L1	L2	L3		
HT-527	208	6200	17.9	25.8	11.9	29.8	NONE
HT-527	240	8300	20.6	29.8	13.8	34.4	NONE

NOTE: Specifications are subject to change without notice. See installation instructions prior to installing the unit. This document is not for installation purposes.

WELLS MANUFACTURING COMPANY  
2 ERIK CIRCLE, PO BOX 280, VERDI, NV 89439 U.S.A.  
USA PHONE: (775) 689-5700 • FAX: (775) 689-5972  
FOR ORDERS ONLY: (888) 356-5362 • FAX: (800) 356-5142  
www.wellsbloomfield.com  
© 2002 WELLS MANUFACTURING • PRINTED IN THE U.S.A.  
03/02 • REV(A) • PART NO. 300711

