

HT-200 - HT-500 BAIN MARIE WARMERS

HT-200 - HT-500 BAIN MARIE WARMERS



Wells Drop-in Bain Marie Warmers economically meet your volume needs. The versatile heated tank can accommodate a variety of round or rectangular insets. The heavily insulated single warming pan and large water volume provide consistent temperatures.

Specifications

Temperature Settings: OFF/LO to HI		
Weights:	Lbs.	KG
HT-200 series:		
Installed	41	19
Shipping	51	23
HT-300 series:		
Installed	63	29
Shipping	73	33
HT-400 series:		
Installed	85	38
Shipping	95	43
HT-500 series:		
Installed	94	43
Shipping	105	48

Features

- **The positive-off thermostat** controls the element allowing for adjustable and more consistent temperatures. A signal light indicates that the heating element is energized.
- **Control** is recessed in a one-piece, drawn, stainless steel panel to help prevent accidental temperature changes.
- Each unit has a **large 1-inch drain with removable screen** for easy cleaning.
- Interior and top flange are **heavy-duty (18 gauge) stainless steel** for maximum strength and durability
- **Adapter bars** are included with each unit to allow the use of a variety of different sized pans.
- The Bain Marie warmers are designed for **wet operation only**.
- **Wellslok** allows for quick and easy installation in stainless steel countertops.
- **The Bain Marie Warmers** are Underwriters Laboratories, Inc. LISTED and meet NSF International and Canadian standards.
- **A one-year warranty** against defects covers parts and labor.

Accessories / Options

Wellslok Extension Kit, designed for installation in countertops up to 1-1/2" thick, refer to installation instructions, 22593

Drain Screen, 21709

Optional 72" Wiring, thermostatically controlled warmers, priced per well (standard length is 24")

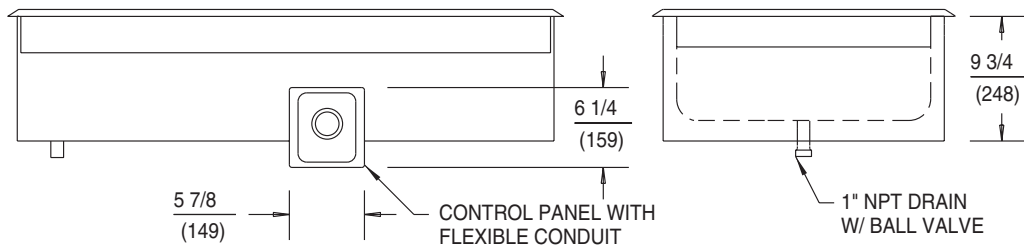
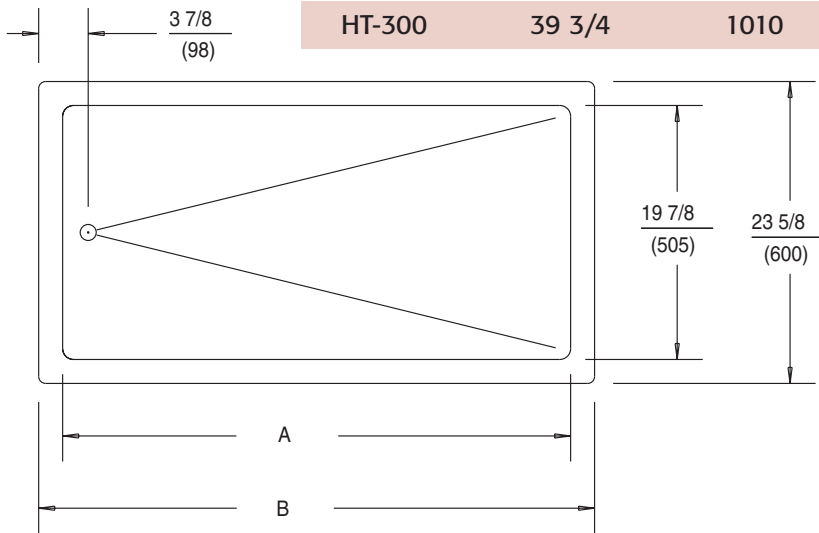


**MODELS
HT-200, HT-300
BAIN MARIE WARMERS**

DIMENSIONS: INCH
(MM)

MINIMUM CLEARANCE REQUIRED FROM UNIT TO THE NEAREST SURFACE			
BACK 1 (25)	SIDE 1 (25)	BOTTOM 6 3/4 (171)	FRONT 4 1/8 (105)

MODELS	DIMENSION 'A'		DIMENSION 'B'	
	INCHES	MM	INCHES	MM
HT-200	25 3/4	654	29 1/2	749
HT-300	39 3/4	1010	43 1/2	1105



HT-200, HT-300 ELECTRICAL SPECIFICATIONS:

MODELS	VOLTS	WATTS	AMPS	PHASE	POWER SUPPLY CORD
HT-200	208	1800	8.7	SINGLE	NONE
HT-200	240	2400	10.0	SINGLE	NONE
HT-300	208	2700	13.0	SINGLE	NONE
HT-300	240	3600	15.0	SINGLE	NONE

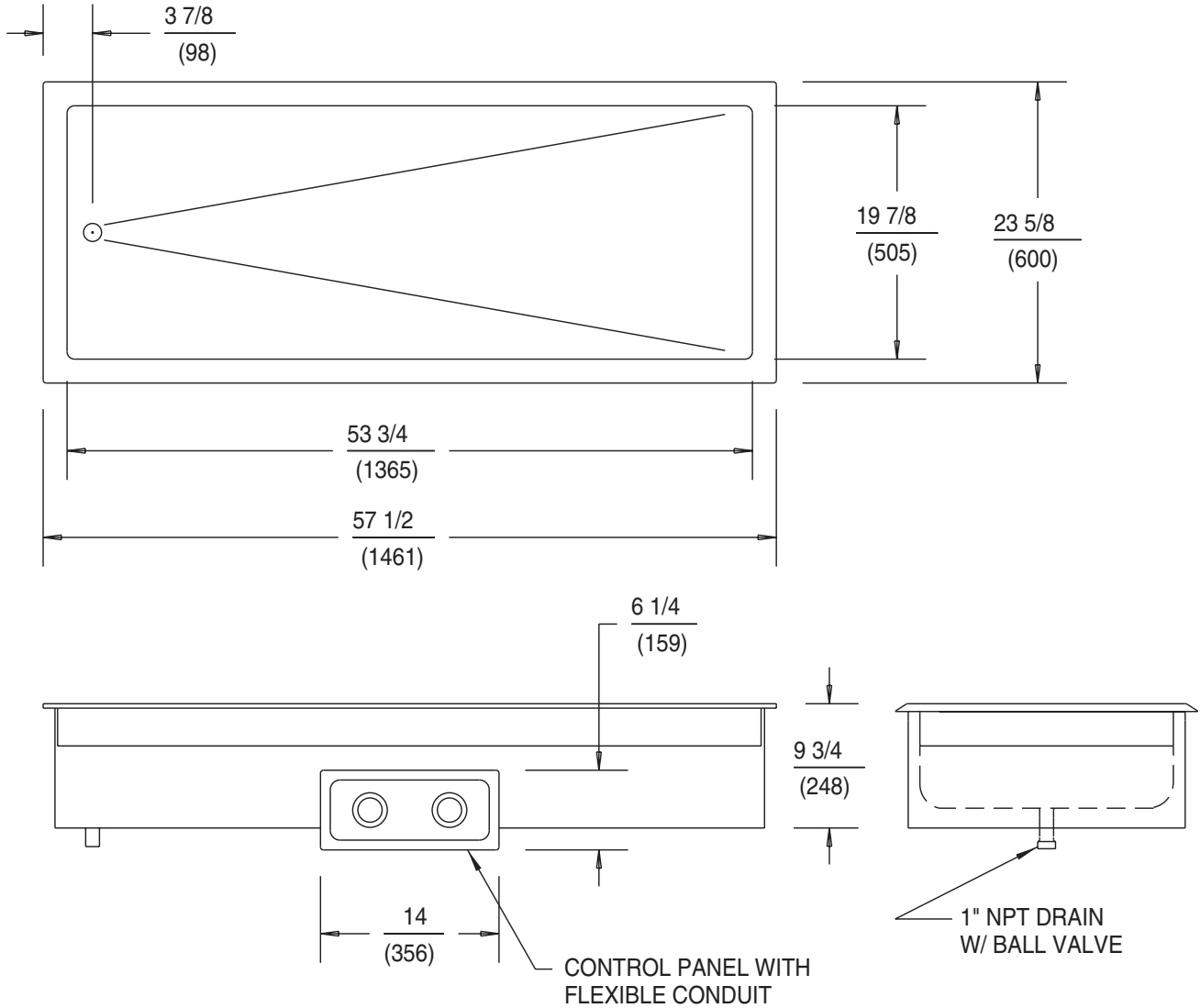
NOTE: Specifications are subject to change without notice. See installation instructions prior to installing the unit. This document is not for installation purposes.



**MODEL
HT-400
BAIN MARIE WARMER**

DIMENSIONS:

INCH
(MM)



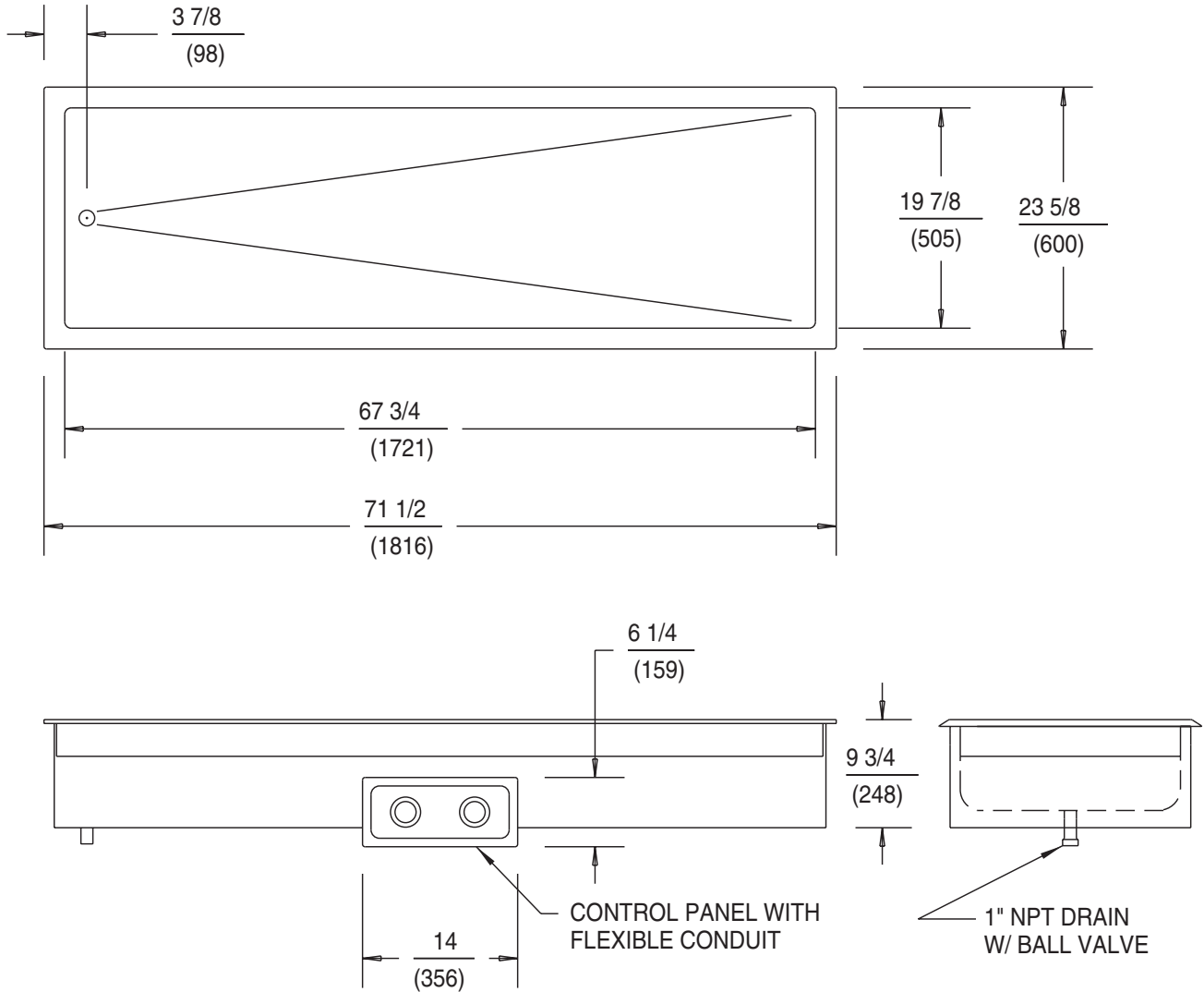
HT-400 ELECTRICAL SPECIFICATIONS:

MODELS	VOLTS	WATTS	AMPS PER LINE PHASE 3			AMPS SINGLE PHASE	POWER SUPPLY CORD
			L1	L2	L3		
HT-400	208	3600	8.7	15.0	8.7	17.3	NONE
HT-400	240	4800	10.0	17.3	10.0	20.0	NONE

NOTE: Specifications are subject to change without notice. See installation instructions prior to installing the unit. This document is not for installation purposes.



DIMENSIONS: $\frac{\text{INCH}}{\text{(MM)}}$



HT-500 ELECTRICAL SPECIFICATIONS:

MODELS	VOLTS	WATTS	AMPS PER LINE PHASE 3			AMPS SINGLE PHASE	POWER SUPPLY CORD
			L1	L2	L3		
HT-500	208	4500	13.0	18.7	8.7	21.7	NONE
HT-500	240	6000	15.0	21.7	10.0	25.0	NONE

NOTE: Specifications are subject to change without notice. See installation instructions prior to installing the unit. This document is not for installation purposes.

WELLS MANUFACTURING COMPANY
 2 ERIK CIRCLE, PO BOX 280, VERDI, NV 89439 U.S.A.
 USA PHONE: (775) 689-5700 • FAX: (775) 689-5972
 FOR ORDERS ONLY: (888) 356-5362 • FAX: (800) 356-5142
 www.wellsbloomfield.com
 © 2001 WELLS MANUFACTURING • PRINTED IN THE U.S.A.
 06/01 • REV(C) • PART NO. 301765

