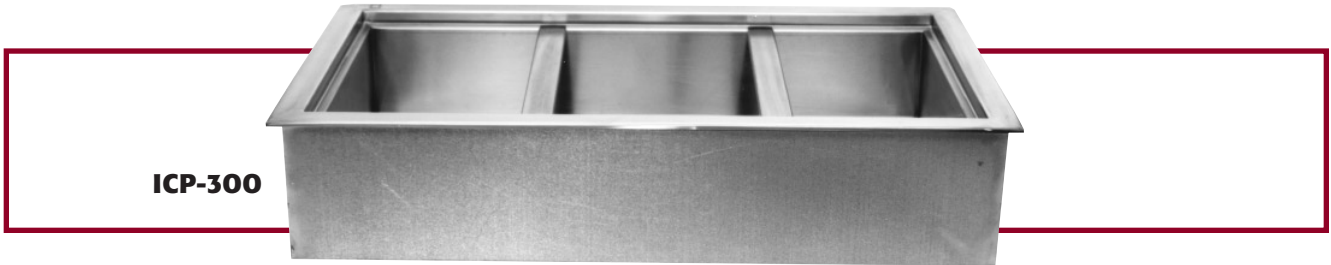


# ICE-COOLED COLD PANS

ICE-COOLED COLD PANS



Wells Ice-Cooled Cold Pans are designed to be easy-to-use. Pre-chilled products are held at serving temperature. Located in the center of each unit is a drain, which allows for easy clean-up. Perforated strainer plate prevents the drain from clogging.

## Specifications

Overall Dimensions:	Inches	MM
Width		
ICP-100	17 3/8	441
ICP-200	31	787
ICP-300	44 3/4	1137
ICP-400	58 1/2	1486
ICP-500	72 1/4	1835
ICP-600	86	2184
Depth	25 3/8	645
Height	9	229
Weights:	Lbs.	KG
<b>ICP-100 series:</b>		
Installed	51	23
Shipping	58	26
<b>ICP-200 series:</b>		
Installed	71	32
Shipping	81	37
<b>ICP-300 series:</b>		
Installed	91	41
Shipping	106	48
<b>ICP-400 series:</b>		
Installed	111	50
Shipping	131	59
<b>ICP-500 series:</b>		
Installed	131	59
Shipping	161	73
<b>ICP-600 series:</b>		
Installed	151	68
Shipping	198	89

## Features

- **Drop-in, ice cooled display cold pans** are designed to hold pre-chilled products at serving temperature.
- **Perforated bottom strainer plate** conveniently holds ice above drain to prevent clogging.
- **Each pan has a large 1-inch drain** located in the center for easy cleaning.
- **Recessed top edge** lowers inset pan to keep food colder and fresher.
- **Adapter bars** are included with each unit to allow use of a variety of different sized pans.
- **Each pan is heavy duty, stainless steel** for maximum strength and durability.
- **The ICP series Ice-Cooled Pans** meet the National Sanitation Foundation standard 2.
- **A one-year warranty** against defects covers parts and 90-day labor.

## Accessories / Options

- **Adapter Bar**, for 12" x 20" pans, 22106
- **Perforated Bottom Strainer Plate**, for ICP-100 (one piece), 22107
- **Perforated Bottom Strainer Plate**, for ICP-200 (one piece), 22108
- **Perforated Bottom Strainer Plates**, for ICP-300 (two pieces), 22109
- **Perforated Bottom Strainer Plates**, for ICP-400 (two pieces), 22110
- **Perforated Bottom Strainer Plates**, for ICP-500 (two pieces), 22111
- **Perforated Bottom Strainer Plates**, for ICP-600 (three pieces), 22112

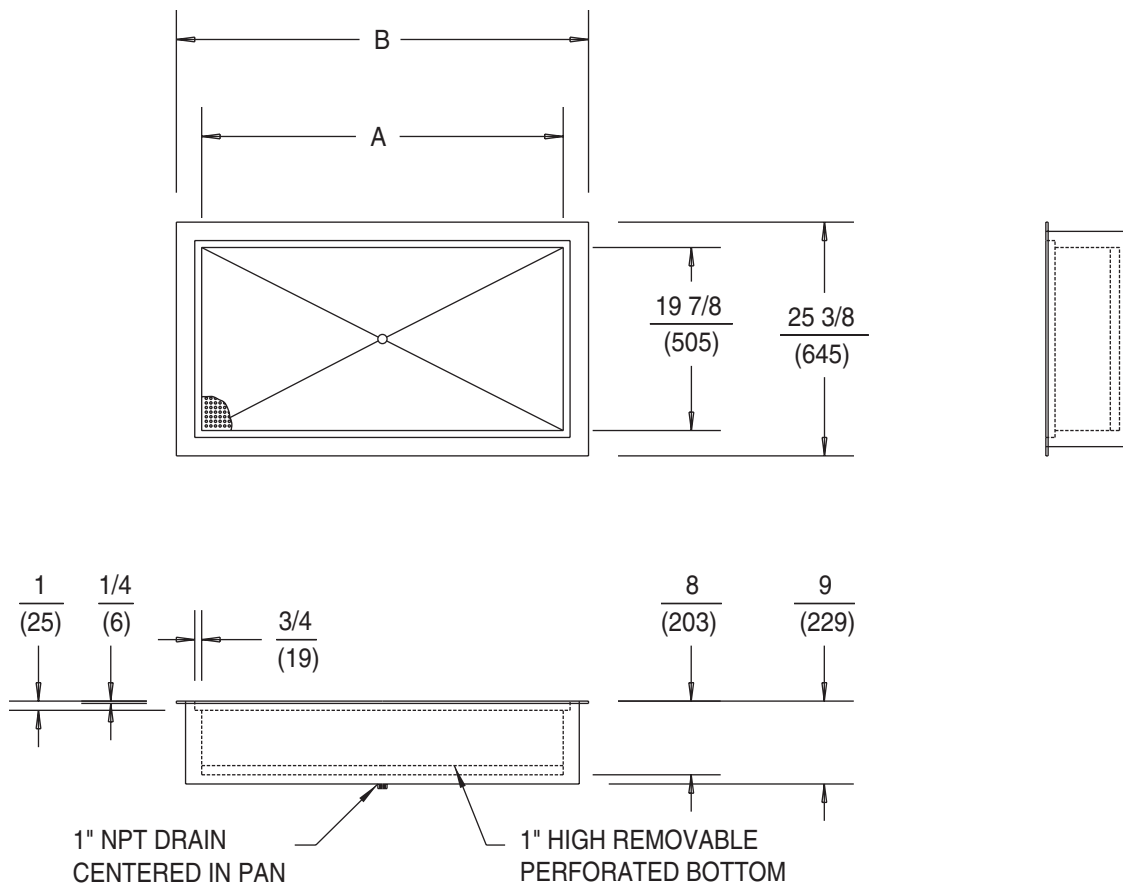




COMPONENT

**MODELS  
ICP-100 TO ICP-600  
ICE COOLED COLD PANS**

**DIMENSIONS:**       $\frac{\text{INCH}}{\text{(MM)}}$



**ICP-100 TO ICP-600 DIMENSION SPECIFICATIONS:**

MODEL	DIMENSION 'A'		DIMENSION 'B'	
	INCHES	MM	INCHES	MM
ICP-100	11 7/8	(302)	17 3/8	(441)
ICP-200	25 1/2	(648)	31	(787)
ICP-300	39 1/4	(997)	44 3/4	(1137)
ICP-400	53	(1346)	58 1/2	(1486)
ICP-500	66 3/4	(1695)	72 1/4	(1835)
ICP-600	80 1/2	(2045)	86	(2184)

NOTE: Specifications are subject to change without notice. See installation instruction sheet prior to installing the unit. This document is not for installation purposes.

WELLS MANUFACTURING COMPANY  
 2 ERIK CIRCLE, PO BOX 280, VERDI, NV 89439 U.S.A. • USA PHONE: (775) 689-5700 • FAX: (775) 689-5972  
 FOR ORDERS ONLY: (888) 356-5362 • FAX: (800) 356-5142 • www.wellsbloomfield.com  
 A SPECIALTY EQUIPMENT COMPANY • 2000 WELLS MANUFACTURING • PRINTED IN THE U.S.A. • 8/00 • REV(C) • PART NO. 49406

