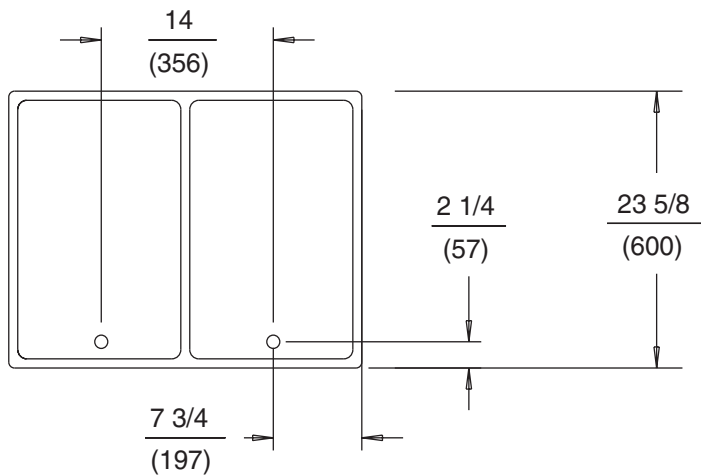




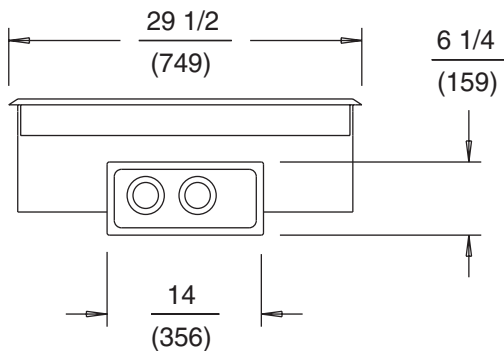
MODELS
MOD-200, MOD-200D
MOD-200T, MOD-200TD
MOD-200DM, MOD-200TDM
BUILT-IN MODULAR WARMERS

DIMENSIONS:

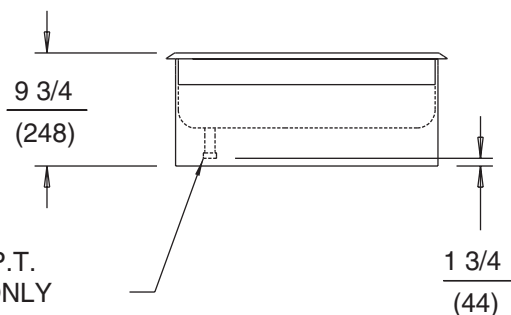
$\frac{\text{INCH}}{\text{(MM)}}$



MINIMUM CLEARANCE REQUIRED FROM UNIT TO THE NEAREST SURFACE.			
BACK	SIDE	BOTTOM	FRONT
$\frac{1}{(25)}$	$\frac{1}{(25)}$	$\frac{6 \ 3/4}{(171)}$	$\frac{4 \ 1/8}{(105)}$



1/2 INCH
INTERNAL N.P.T.
'D' MODELS ONLY



**MOD-200, MOD-200D, MOD-200T, MOD-200TD,
 MOD-200DM AND MOD-200TDM ELECTRICAL SPECIFICATIONS:**

MODELS	VOLTS	WATTS	AMPS	PHASE	POWER SUPPLY CORD
MOD-200	208	1800	8.7	SINGLE	NONE
MOD-200	240	2400	10.0	SINGLE	NONE
MOD-200T	208	2480	11.9	SINGLE	NONE
MOD-200T	240	3300	13.8	SINGLE	NONE

All models with a 'D' or 'DM' suffix have the same electrical specs as the standard MOD-200 or MOD-200T models.

NOTE: Specifications are subject to change without notice. See installation instruction sheet prior to installing the unit. This document is not for installation purposes. The Drain Manifold with Valve (1" internal N.P.T.) is supplied for DM & TDM models only.

WELLS MANUFACTURING COMPANY
 2 ERIK CIRCLE, PO BOX 280, VERDI, NV 89439 U.S.A. • USA PHONE: (775) 689-5700 • FAX: (775) 689-5972
 FOR ORDERS ONLY: (888) 356-5362 • FAX: (800) 356-5142 • www.wellsbloomfield.com
 A SPECIALTY EQUIPMENT COMPANY • 2000 WELLS MANUFACTURING • PRINTED IN THE U.S.A. • 7/00 • REV(G) • PART NO. 37099

