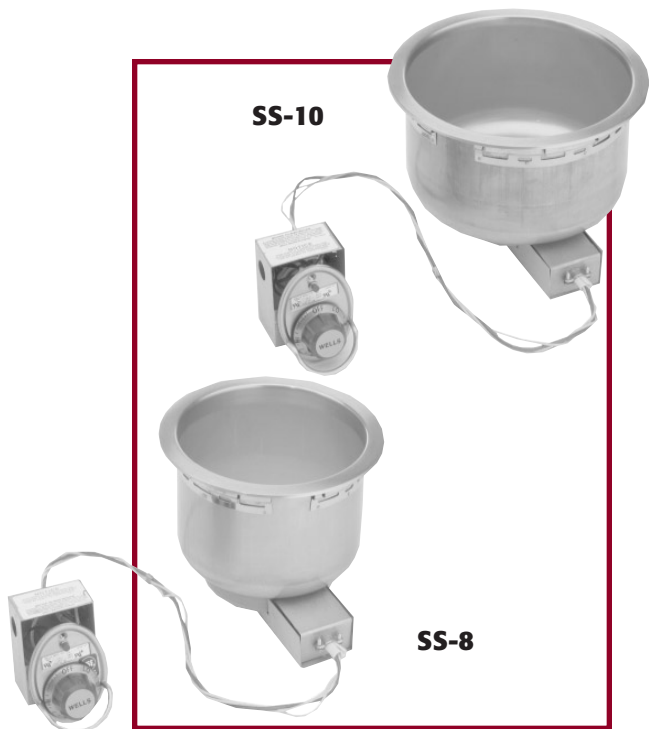


# SS-4, SS-8, SS-10 BUILT-IN ROUND FOOD WARMERS

SS-4, SS-8, SS-10 BUILT-IN ROUND FOOD WARMERS



Wells SS-4, SS-8 and SS-10 Built-In Round Food Warmers have stainless steel, deep-drawn warming pans and are suitable for wet or dry operation. These warmers are designed for installation into a metal counter and come in a variety of sizes to fit your needs.

### Features

- The tubular element, located under the warming pan, allows for quick and efficient heating.
- Infinite control is housed in a remote, oval panel with a guard ring to help prevent accidental temperature changes.
- Warmers have a high-limit thermostat, which prevents unit overheating.
- Models are available with optional 1/2" drain (D).
- Warmers are designed for wet or dry operation.
- Wellslok allows for quick and easy installation in stainless steel countertops.
- The SS-4, SS-8 and SS-10 Warmers are Underwriters Laboratories, Inc. Recognized and meet NSF International and Canadian standards.
- A one-year warranty against defects covers parts and labor.

### Specifications

Overall Dimensions:	Inches	MM
<b>Diameter</b>		
SS-4 series	8 1/4	210
SS-8 series	10 1/16	256
SS-10 series	12	305
<b>Height</b>		
SS-4 series	9 1/4	235
SS-8 series	8 3/8	213
SS-10 series	8 3/8	213
<b>Temperature Settings:</b>	OFF/LO to HI	
<b>Weights:</b>		
	<b>Lbs.</b>	<b>KG</b>
SS-4 series		
Installed	4	2
Shipping	5	2
SS-8 series		
Installed	5	2
Shipping	6	3
SS-10 series		
Installed	6	3
Shipping	7	3

### Accessories / Options

**Adapter Top**, to convert SS-8 to hold one 4-quart inset, 20177

**Adapter Top**, to convert SS-10 to hold one 4-quart inset, 20822

**Adapter Top**, to convert SS-10 to hold one 7-quart inset, 20175

**Inset**, 4-quart capacity with lid, 20774

**Inset**, 7-quart capacity with lid, 20587

**Inset**, 11-quart capacity with hinged lid, 21057

**Optional Drain (D)** is available

**Drain Valve Extension Kit**, extension from drain to counter front with remote handle, (D) models only, 20385

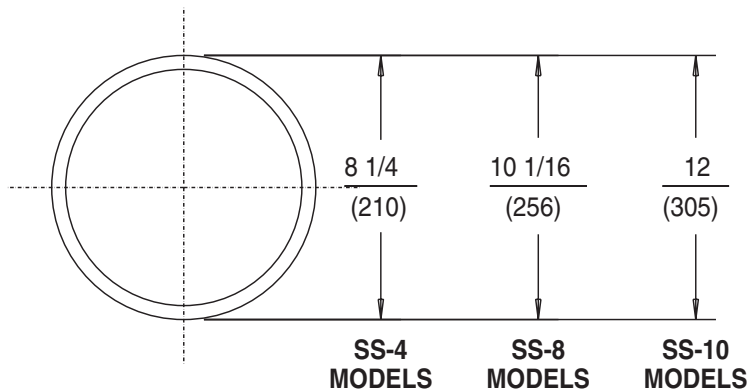




## MODELS SS-4, SS-8, SS-10 BUILT-IN ROUND FOOD WARMERS

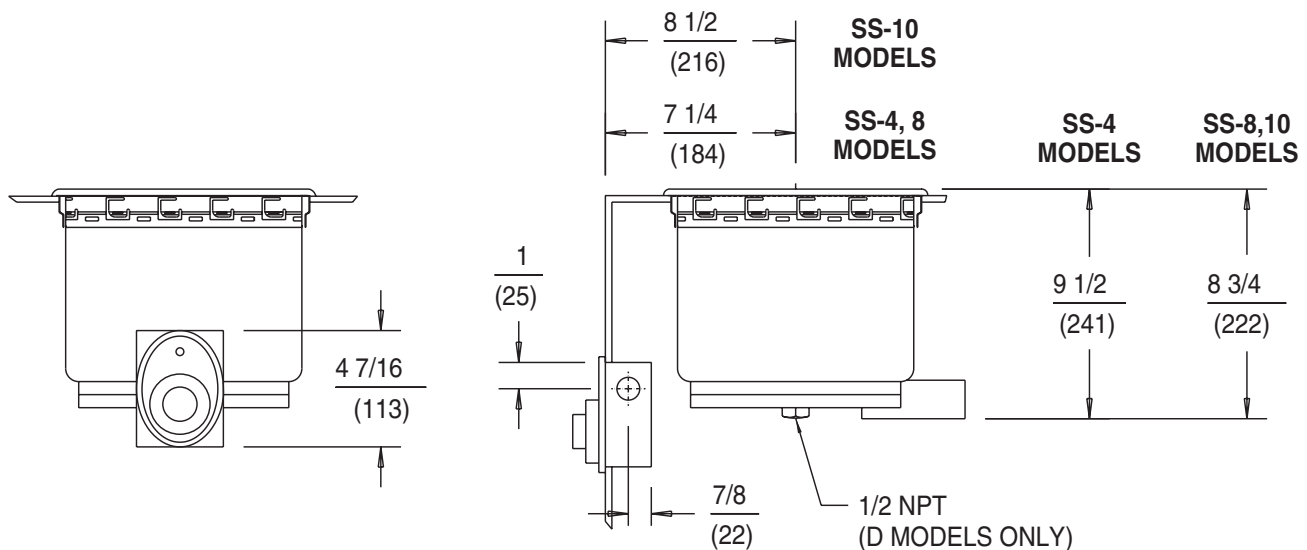
**DIMENSIONS:**      INCH  
                                    (MM)

SUGGESTED CLEARANCE FROM UNIT TO THE NEAREST SURFACE			
BACK	SIDE	BOTTOM	FRONT*
$\frac{1}{1}$ (25)	$\frac{1}{1}$ (25)	$\frac{8\ 1/2}{1}$ (216)	$\frac{4}{1}$ (102)



\* When control box is located below the unit, front clearance can be 2 inches.

NOTE: Depending on the installation, clearances can be reduced upon further evaluations to UL standards.



### SS-4, SS-8, SS-10 ELECTRICAL SPECIFICATIONS:

MODELS	VOLTS	WATTS	AMPS	PHASE	POWER SUPPLY CORD
SS-4, 8, 10	120	450	3.8	SINGLE	NONE
SS-4, 8, 10	208	338	1.6	SINGLE	NONE
SS-4, 8, 10	240	450	1.9	SINGLE	NONE

All models with a 'D' suffix have the same electrical specifications as the standard models.

NOTE: Specifications are subject to change without notice. See installation instructions prior to installing the unit. This document is not for installation purposes. The installation of recognized component units requires additional evaluations to Underwriters Laboratories, Inc. standards.

THIS UNIT IS DESIGNED TO BE INSTALLED IN METAL COUNTERS ONLY.

WELLS MANUFACTURING COMPANY  
2 ERIK CIRCLE, PO BOX 280, VERDI, NV 89439 U.S.A. • USA PHONE: (775) 689-5700 • FAX: (775) 689-5972  
FOR ORDERS ONLY: (888) 356-5362 • FAX: (800) 356-5142 • www.wellsbloomfield.com  
2001 WELLS MANUFACTURING • PRINTED IN THE U.S.A. • 2/01 • REV(L) • PART NO. 37122

