



Over 90 Years Of Quality Foodservice Products And Service



Job _____ Item No. _____

SS8 Series 7-Quart Heavy Duty, Top-Mount, Round Drop-In Food-Warmers



Model SS8TDU

DESCRIPTION

Wells heavy-duty, top-mount, drop-in, round food warmers are designed to hold heated foods at safe and fresh serving temperatures. Wells SS8 Series accommodates standard 7-quart round inset pans, and are designed for wet or dry operation.

SPECIFICATIONS

Construction – One-piece stainless steel top flange and heavy-gauge, deep-drawn stainless steel warming pans are standard features on all models. Wellslocks are standard for quick and easy installation.

Insulation –Choose between models that are fully insulated around the sides and bottom or standard non-insulated models. Fully Insulated models save energy and may be installed in non-metal counters.

Controls & Heating- Models with thermostatic or infinite controls are available. High-limits prevent overheating. Temperature-ready indicator lights are standard on all control types. Powerful tubular heating elements are located under the warming pans for quick and efficient heating and for even heat distribution.

ADDITIONAL FEATURES AVAILABLE

- 120V or 208/240V
- Drains
- Cord & plugs
- Fully insulated models or standard models
- Infinite or thermostatic controls

STANDARD FEATURES

- Accommodates standard 7-quart insets
- 26 models to choose from
- One-piece stainless steel top flange and heavy-gauge, deep-drawn stainless steel warming pans
- Suitable for wet or dry operation
- Energy-Saving fully-insulated models or standard non-insulated models
- Fully insulated models are perfect for non-metal counters (with adapter kit)
- Thermostatic or infinite controls
- High limits prevent overheating
- Infinite controls provided with guard ring to prevent accidental temperature change
- Thermostatic controls are recessed in a one-piece, drawn, front-mounted panel
- Wellslock standard for ease of installation
- Powerful tubular heating elements
- ½" drains available
- Cords & plugs available
- 2-Year limited parts & 1-Year limited labor warranty

OPTIONS & ACCESSORIES

- Inset with lid
- 8 oz. soup ladle
- Drain value extension kit
- Adaptor top for 4-quart inset
- Non-metal counter adapter kit
- Optional 72" control wiring

CERTIFICATIONS



PLEASE NOTE: SOME MODEL NUMBERS HAVE CHANGED

ONLY cUL US MODELS COME WITH CONDUIT AND ENCLOSED CONTROL BOX

Sheet No. SS8-04/16



Wells Bloomfield • 10 Sunnen Dr. St. Louis, MO 63143 U.S.A.
Phone : (314) 678-6314 • Fax (314) 781-5445
www.wellsbloomfield.com • Printed in the U.S.A.

NOTE: Specifications are subject to change without notice and are not intended for installation purposes. See installation instructions prior to installing the unit.



Over 90 Years Of Quality Foodservice Products And Service

SS8 Series 7-Quart Heavy Duty, Top-Mount, Round Drop-In Food-Warmers

| Minimum Clearances | BACK INCHES (MM) | SIDE INCHES (MM) | BOTTOM INCHES (MM) | FRONT INCHES (MM) |
|------------------------|------------------|------------------|--------------------|-------------------|
| Standard Models | 1 (25) | 1 (25) | 8-1/2 (216) | 4" (102) |
| Fully Insulated Models | 1 (25) | 1 (25) | 8 (203) | 4 (102) |

NOTE: Specifications are subject to change without notice. Please refer to installation instructions for cut-out dimensions and fabrication details.

PLEASE NOTE: SOME MODEL NUMBERS HAVE CHANGED ONLY cULUS MODELS COME WITH CONDUIT AND ENCLOSED CONTROL BOX

* When control box is located below the warmer, front clearance may be reduced to 2" or 52mm

SPECIFICATIONS

| OLD Model Number | NEW Model Number | Description/Controls | Insulation | Installed Weight | Shipping Weight | Voltage | Watts | Phase | Cord & Plug | Plug | Drain | Approvals |
|------------------|------------------|----------------------|-----------------|-------------------|--------------------|----------|---------|-------|-------------|------------|-------|-----------|
| SS8-120 | SS8-120 | Infinite | Non-Insulated | 5 lbs. 2.3 kg | 6 lbs. 2.8 kg | 120V | 450 | 1Ø | No | N/A | No | cULUS NSF |
| SS8 | SS8 | Infinite | Non-Insulated | 5 lbs. 2.3 kg | 6 lbs. 2.8 kg | 208V/240 | 338/450 | 1Ø | No | N/A | No | cULUS NSF |
| SS8D-120 | SS8D-120 | Infinite | Non-Insulated | 5 lbs. 2.3 kg | 6 lbs. 2.8 kg | 120V | 450 | 1Ø | No | N/A | Yes | cULUS NSF |
| SS8D | SS8D | Infinite | Non-Insulated | 5 lbs. 2.3 kg | 6 lbs. 2.8 kg | 208V/240 | 620/825 | 1Ø | No | N/A | Yes | cULUS NSF |
| SS8T-120 | SS8T-120 | Thermostatic | Non-Insulated | 5 lbs. 2.3 kg | 6 lbs. 2.8 kg | 120V | 825 | 1Ø | No | N/A | No | cULUS NSF |
| SS8T | SS8T | Thermostatic | Non-Insulated | 5 lbs. 2.3 kg | 6 lbs. 2.8 kg | 208V/240 | 620/825 | 1Ø | No | N/A | No | cULUS NSF |
| SS8TD-120 | SS8TD-120 | Thermostatic | Non-Insulated | 5 lbs. 2.3 kg | 6 lbs. 2.8 kg | 120V | 825 | 1Ø | No | N/A | Yes | cULUS NSF |
| SS8TD | SS8TD | Thermostatic | Non-Insulated | 5 lbs. 2.3 kg | 6 lbs. 2.8 kg | 208V/240 | 620/825 | 1Ø | No | N/A | Yes | cULUS NSF |
| SS8ULT-120 | SS8TU-120 | Thermostatic | Non-Insulated | 5 lbs. 2.3 kg | 6 lbs. 2.8 kg | 120V | 825 | 1Ø | No | N/A | No | cULUS NSF |
| SS8ULT | SS8TU | Thermostatic | Non-Insulated | 5 lbs. 2.3 kg | 6 lbs. 2.8 kg | 208V/240 | 620/825 | 1Ø | No | N/A | No | cULUS NSF |
| SS8EUT-230 | SS8EUT-230 | Thermostatic | Non-Insulated | 5 lbs. 2.3 kg | 6 lbs. 2.8 kg | 230V | 825 | 1Ø | No | N/A | No | CE |
| SS8ULTD-120 | SS8TDU-120 | Thermostatic | Non-Insulated | 5 lbs. 2.3 kg | 6 lbs. 2.8 kg | 120V | 825 | 1Ø | No | N/A | Yes | cULUS NSF |
| SS8ULTD | SS8TDU | Thermostatic | Non-Insulated | 5 lbs. 2.3 kg | 6 lbs. 2.8 kg | 208V/240 | 620/825 | 1Ø | No | N/A | Yes | cULUS NSF |
| SS8TUC-120 | SS8TUC-120 | Thermostatic | Non-Insulated | 5 lbs. 2.3 kg | 6 lbs. 2.8 kg | 120V | 825 | 1Ø | Yes | NEMA 5-15P | No | cULUS NSF |
| SS8TUC | SS8TUC | Thermostatic | Non-Insulated | 5 lbs. 2.3 kg | 6 lbs. 2.8 kg | 208V/240 | 620/825 | 1Ø | Yes | NEMA 6-15P | No | cULUS NSF |
| SS8TDUC-120 | SS8TDUC-120 | Thermostatic | Non-Insulated | 5 lbs. 2.3 kg | 6 lbs. 2.8 kg | 120V | 825 | 1Ø | Yes | NEMA 5-15P | Yes | cULUS NSF |
| SS8TDUC | SS8TDUC | Thermostatic | Non-Insulated | 5 lbs. 2.3 kg | 6 lbs. 2.8 kg | 208V/240 | 620/825 | 1Ø | Yes | NEMA 6-15P | Yes | cULUS NSF |
| SS8TDU-230 | SS8TDU-230 | Thermostatic | Non-Insulated | 5 lbs. 2.3 kg | 6 lbs. 2.8 kg | 230V | 825 | 1Ø | No | N/A | Yes | CE |
| SS8TUI-120 | SS8TUI-120 | Thermostatic | Fully Insulated | 9.3 lbs. (4.2) kg | 10.3 lbs. (4.7) kg | 120V | 825 | 1Ø | No | N/A | No | cULUS NSF |
| SS8TUI | SS8TUI | Thermostatic | Fully Insulated | 9.3 lbs. (4.2) kg | 10.3 lbs. (4.7) kg | 208V/240 | 620/825 | 1Ø | No | N/A | No | cULUS NSF |
| SS8TDUI-120 | SS8TDUI-120 | Thermostatic | Fully Insulated | 9.3 lbs. (4.2) kg | 10.3 lbs. (4.7) kg | 120V | 825 | 1Ø | No | N/A | Yes | cULUS NSF |
| SS8TDUI | SS8TDUI | Thermostatic | Fully Insulated | 9.3 lbs. (4.2) kg | 10.3 lbs. (4.7) kg | 208V/240 | 620/825 | 1Ø | No | N/A | Yes | cULUS NSF |
| SS8TUCI-120 | SS8TUCI-120 | Thermostatic | Fully Insulated | 9.3 lbs. (4.2) kg | 10.3 lbs. (4.7) kg | 120V | 825 | 1Ø | Yes | NEMA 5-15P | No | cULUS NSF |
| SS8TUCI | SS8TUCI | Thermostatic | Fully Insulated | 9.3 lbs. (4.2) kg | 10.3 lbs. (4.7) kg | 208V/240 | 620/825 | 1Ø | Yes | NEMA 6-15P | No | cULUS NSF |
| SS8TDUCI-120 | SS8TDUCI-120 | Thermostatic | Fully Insulated | 9.3 lbs. (4.2) kg | 10.3 lbs. (4.7) kg | 120V | 825 | 1Ø | Yes | NEMA 5-15P | Yes | cULUS NSF |
| SS8TDUCI | SS8TDUCI | Thermostatic | Fully Insulated | 9.3 lbs. (4.2) kg | 10.3 lbs. (4.7) kg | 208V/240 | 620/825 | 1Ø | Yes | NEMA 6-15P | Yes | cULUS NSF |

Due to periodic changes in designs, methods, procedures, policies and regulations, the specifications contained in this sheet are subject to change without notice. While Wells exercises good faith efforts to provide information that is accurate, we are not responsible for errors or omissions in information provided or conclusions reached as a result of using the specifications. By using the information provided, the user assumes all risks in connection with such use.



Wells Bloomfield • 10 Sunnen Dr. St. Louis, MO 63143 U.S.A.
Phone : (314) 678-6314 • Fax (314) 781-5445
www.wellsbloomfield.com • Printed in the U.S.A.

NOTE: Specifications are subject to change without notice and are not intended for installation purposes. See installation instructions prior to installing the unit.



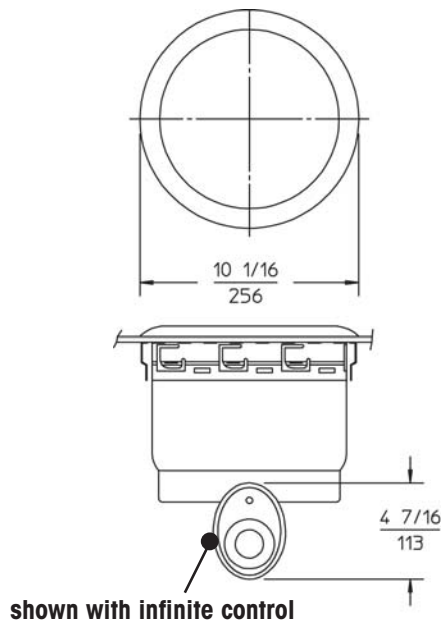
Over 90 Years Of Quality Foodservice
Products And Service

SS-8 Series 7-Quart Heavy Duty, Top-Mount, Round Drop-In Food-Warmers

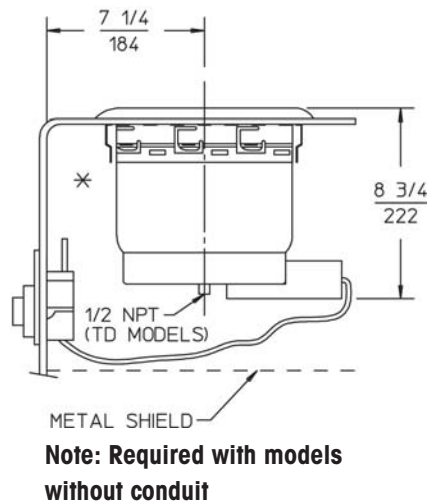
INCHES
MM

NOTE: Specifications are subject to change without notice. Please refer to installation instructions for cut-out dimensions and fabrication details.

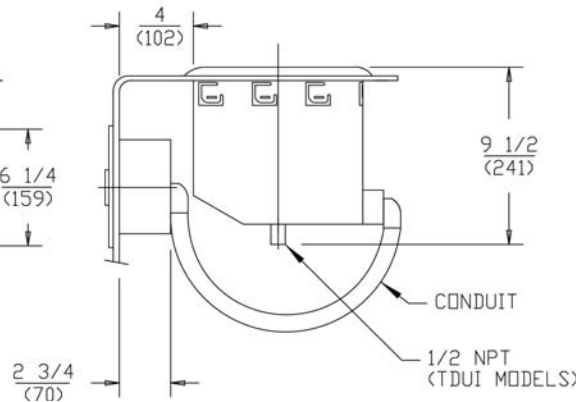
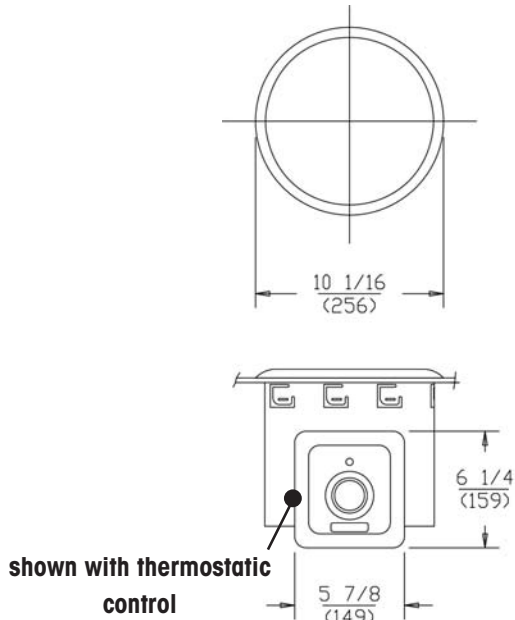
PRODUCT DIMENSIONS STANDARD MODELS ONLY



NOTE: * CONTROL MUST NOT BE MOUNTED IN THIS HIGH TEMPERATURE AREA.



PRODUCT DIMENSIONS INSULATED MODELS ONLY



Due to periodic changes in designs, methods, procedures, policies and regulations, the specifications contained in this sheet are subject to change without notice. While Wells exercises good faith efforts to provide information that is accurate, we are not responsible for errors or omissions in information provided or conclusions reached as a result of using the specifications. By using the information provided, the user assumes all risks in connection with such use.



Wells Bloomfield • 10 Sunnen Dr. St. Louis, MO 63143 U.S.A.
Phone : (314) 678-6314 • Fax (314) 781-5445
www.wellsbloomfield.com © 2012 Wells Bloomfield • Printed in the U.S.A.

NOTE: Specifications are subject to change without notice and are not intended for installation purposes. See installation instructions prior to installing the unit.