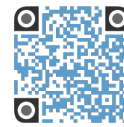




# C-101BAH-(AD)DS

## Self-Contained Cubelet Ice Machine with Built-In Storage Bin



C-101BAH-(AD)DS  
03/31/2017  
Item # 13324

Item #: \_\_\_\_\_  
 Project: \_\_\_\_\_  
 Qty: \_\_\_\_\_  
 AIA#: \_\_\_\_\_

### W x D x H

C-101BAH / C-101BAH-DS  
14 7/8" x 22 5/8" x 33 1/2"

(-AD) - ADA Compliant

(-DS) - Customized Cabinet Door System

C-101BAH-AD / C-101BAH-ADDS  
14 7/8" x 22 5/8" x 31 1/2"



**C-101BAH** ★  
Air-Cooled  
(Shown)

**C-101BAH-AD** ★  
Air-Cooled  
ADA Compliant Unit



**C-101BAH-DS** ★ ★  
(Shown)  
with Custom Cabinetry

**C-101BAH-ADDS** ★ ★  
Air-Cooled  
ADA Compliant Unit

\*Customer responsible for providing cabinetry

## Features

- ▶ Durable stainless steel exterior
- ▶ Approved for indoor or outdoor use
- ▶ Stainless steel auger with greaseless bearing

- Up to 92 lbs. of ice production per 24 hours and up to 20 lbs.\* of built-in storage
- Mount two units, side-by-side, in only 44" of floor space for double the amount of ice production
- Front access provides ease of cleaning and maintenance
- Front in and out airflow
- Equipped with 6 ft. Cord with NEMA 5-15 Plug
- R-134A Refrigerant

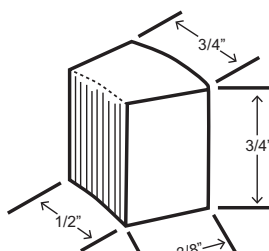
### Warranty:

2 Year Parts & Labor on entire machine.  
1 Year Parts & Labor on HS-5061 Drain Pump Assembly.  
Valid in United States, Canada, Puerto Rico and U.S. Territories. Contact factory for warranty in other countries.



| Condenser  | Model            | ICE PRODUCTION                                  |           |                                  | WATER USAGE                            |  |                                    | ELECTRICAL                             |          |           |                        | Shipping Weight | ENERGY STAR® |
|------------|------------------|---|-----------|----------------------------------|--|--|------------------------------------|--|----------|-----------|------------------------|-----------------|--------------|
|            |                  | Air / Water Temp Lbs. per 24 hours<br>70°/ 50°F | 90°/ 70°F | Type of Ice<br>(Hardness Rating) | Potable Gal. per 100 lbs.<br>90°/ 70°F | Condenser Gal. per 100 lbs.<br>90°/ 70°F | kWh Used per 100 lbs.<br>90°/ 70°F | Max. Fuse Size or HACR Circuit Breaker | Amperage | Voltage   | Heat Rejection BTU/hr. |                 |              |
| Air-Cooled | C-101BAH-(DS)    | 92  | 62        | Cubelet (81.6)                   | 12.0                                   | N/A                                      | 12.1                               | 15A                                    | 4.0A     | 115V/60/1 | 1,850                  | 120 lbs.        | ★            |
| Air-Cooled | C-101BAH-AD-(DS) | 92  | 62        | Cubelet (81.6)                   | 12.0                                   | N/A                                      | 12.1                               | 15A                                    | 4.0A     | 115V/60/1 | 1,850                  | 120 lbs.        | ★            |

### Cubelet Dimensions\*



\* approximate size in inches, image not to scale

### Operating Limits

- Ambient Temp Range 45 - 100°F
- Water Temp Range 45 - 90°F
- Water Pressure 7 - 113 PSIG
- Voltage Range 104-127V

### Service

- Allow 15" (38 cm) at front and enough space at rear for water supply and drain connections.
- Location must provide a firm and level foundation.
- Do not place near ovens, grills or other high heat producing equipment.

### Parts

- -DS Door Reversal Part - HS-0229  
Optional Kit required for (-DS) models
- Side trim kit available
- Accessory - HS-5061 Drain Pump Assembly
- Water filter - H9320-51

### Plumbing

- Icemaker Water Supply Line: Minimum 1/4" Nominal ID Copper Water Tubing or Equivalent
- Icemaker Drain Line: Minimum 1/2" Nominal ID Hard Pipe or Equivalent



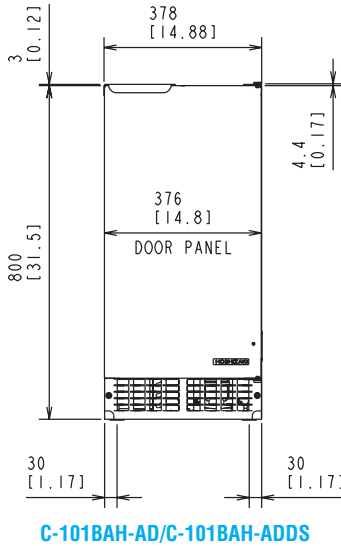
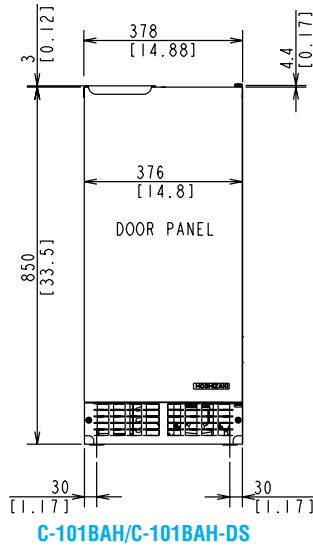
# C-101BAH-(AD)DS

Self-Contained Cubelet Ice Machine  
with Built-In Storage Bin



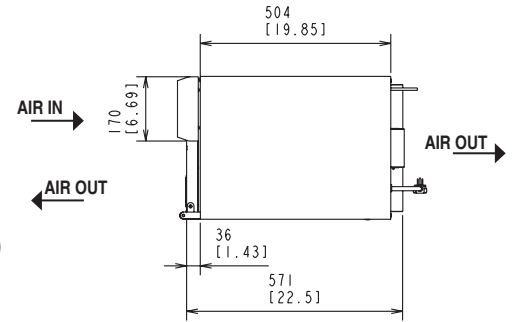
C-101BAH-(AD)DS  
03/31/2017  
Item # 13324

FRONT VIEW

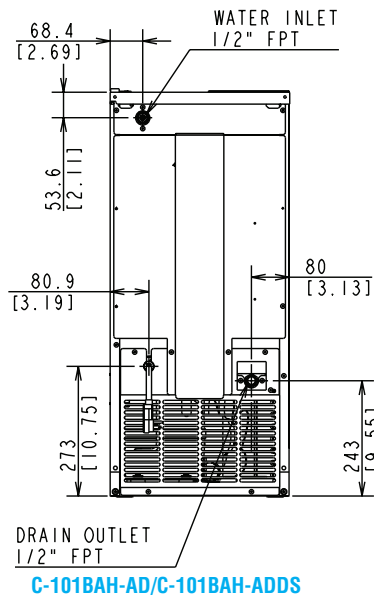
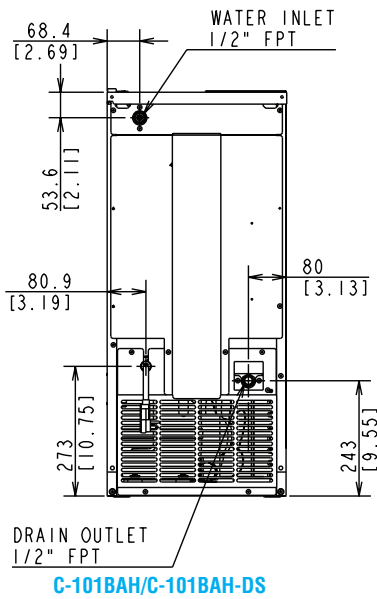


mm  
[inch]

TOP VIEW



REAR VIEW



SIDE VIEW

