



# C-101BAH-(AD)DS


## Self-Contained Cubelet Ice Machine with Built-In Storage Bin



C-101BAH-(AD)DS  
01/21/18  
Item # 13324

Item #: \_\_\_\_\_  
Project: \_\_\_\_\_  
Qty: \_\_\_\_\_  
AIA#: \_\_\_\_\_

**W x D x H**  
C-101BAH / C-101BAH-DS  
14<sup>7</sup>/<sub>8</sub>" x 22<sup>5</sup>/<sub>8</sub>" x 33<sup>1</sup>/<sub>2</sub>"  
C-101BAH-AD / C-101BAH-ADDS  
14<sup>7</sup>/<sub>8</sub>" x 22<sup>5</sup>/<sub>8</sub>" x 31<sup>1</sup>/<sub>2</sub>"

(-AD) - ADA Compliant   
(-DS) - Customized Cabinet Door System



**C-101BAH**  
Air-Cooled  
(Shown)

**C-101BAH-AD**  
Air-Cooled  
ADA Compliant Unit



**C-101BAH-DS\***  
(Shown)  
with Custom Cabinetry

**C-101BAH-ADDS\***  
Air-Cooled  
ADA Compliant Unit

\*Customer responsible for providing cabinetry



## Features

- ▶ UL approved for outdoor use
- ▶ Undercounter design
- ▶ Drain pump option available

- Up to 92 lbs. of ice production per 24 hours
- Built-in storage capacity of 0.7ft<sup>3</sup>/22 lbs.\*
- Power switch accessible without panel removal
- Less than 34 inches tall (C-101BAH, C-101BAH-DS)
- Less than 32 inches tall; ADA Compliant (C-101BAH-AD, C-101BAH-ADDS)
- Easily disassembled water circuit for easy cleaning
- Front in and out airflow
- Equipped with 6 ft. Cord with NEMA 5-15 Plug
- R-134A Refrigerant

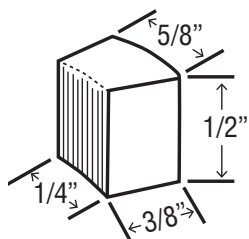
### Warranty:

2 Year Parts & Labor on entire machine.  
1 Year Parts & Labor on HS-5061 Drain Pump Assembly.  
Valid in United States, Canada, Puerto Rico and U.S. Territories. Contact factory for warranty in other countries.

\*Rated in accordance with AHRI Standard 820(I-P). Capacity based on 100% of total volume x 30 lb/ft<sup>3</sup> average density of ice.

| Condenser  | Model            | ICE PRODUCTION   |                                  |  | WATER USAGE                              |                                    |  | ELECTRICAL |           |                        |          | Shipping Weight | ENERGY STAR® |
|------------|------------------|--|----------------------------------|--|--|------------------------------------|--|------------|-----------|------------------------|----------|-----------------|--------------|
|            |                  | Air / Water Temp Lbs. per 24 hours<br>70°/ 50°F    90°/ 70°F | Type of Ice<br>(Hardness Rating) | Potable Gal. per 100 lbs.<br>90°/ 70°F | Condenser Gal. per 100 lbs.<br>90°/ 70°F | kWh Used per 100 lbs.<br>90°/ 70°F | Max. Fuse Size or HACR Circuit Breaker | Amperage   | Voltage   | Heat Rejection BTU/hr. |          |                 |              |
| Air-Cooled | C-101BAH-(DS)    | 92    62   | Cubelet (81.6)                   | 12.0                                   | N/A                                      | 12.1                               | 15A                                    | 4.0A       | 115V/60/1 | 1,850                  | 120 lbs. |                 |              |
| Air-Cooled | C-101BAH-AD-(DS) | 92    62   | Cubelet (81.6)                   | 12.0                                   | N/A                                      | 12.1                               | 15A                                    | 4.0A       | 115V/60/1 | 1,850                  | 120 lbs. |                 |              |

### Cubelet Dimensions\*



\* approximate size in inches, image not to scale

### Operating Limits

- Ambient Temp Range 45 - 100°F
- Water Temp Range 45 - 90°F
- Water Pressure 7 - 113 PSIG
- Voltage Range 104-127V

### Service

- Allow 15" (38 cm) at front and enough space at rear for water supply and drain connections.
- Location must provide a firm and level foundation.
- Do not place near ovens, grills or other high heat producing equipment.

### Parts

- -DS Door Reversal Part - HS-0229  
Optional Kit required for (-DS) models
- Side trim kit available
- Accessory - HS-5061 Drain Pump Assembly
- Water filter - H9320-51

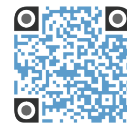
### Plumbing

- Icemaker Water Supply Line: Minimum 1/4" Nominal ID Copper Water Tubing or Equivalent
- Icemaker Drain Line: Minimum 1/2" Nominal ID Hard Pipe or Equivalent



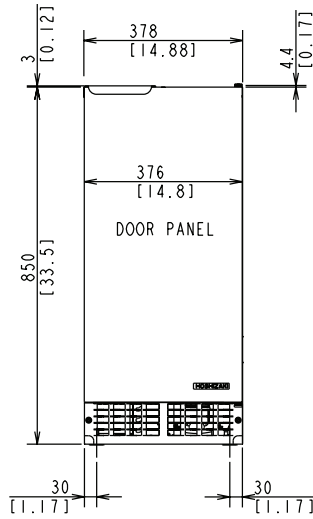
# C-101BAH-(AD)DS

Self-Contained Cubelet Ice Machine  
with Built-In Storage Bin

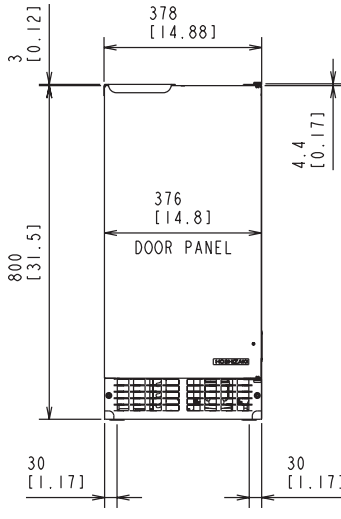


C-101BAH-(AD)DS  
01/21/18  
Item # 13324

FRONT VIEW

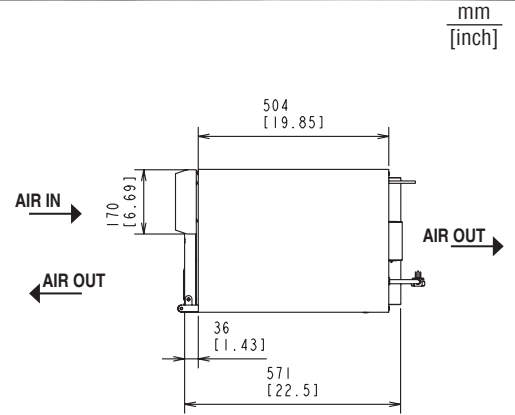


C-101BAH/C-101BAH-DS



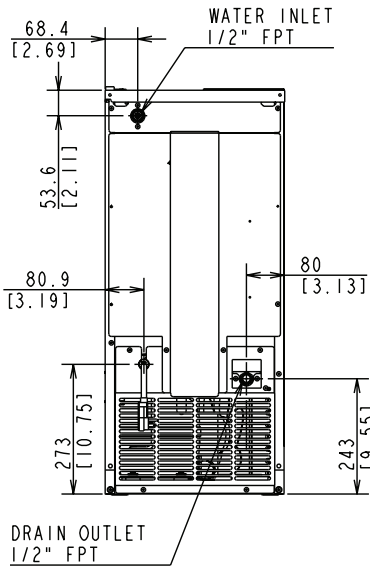
C-101BAH-AD/C-101BAH-ADDS

TOP VIEW

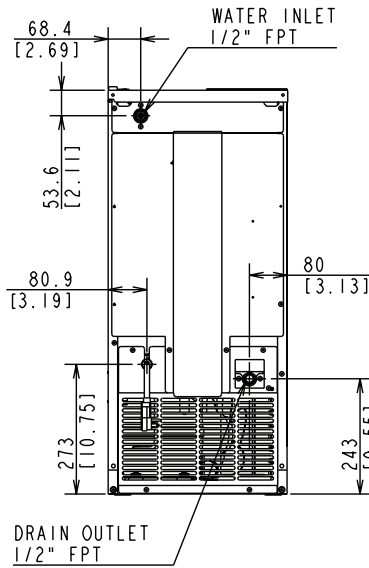


C-101BAH  
C-101BAH-AD  
C-101BAH-DS  
C-101BAH-ADDS

REAR VIEW

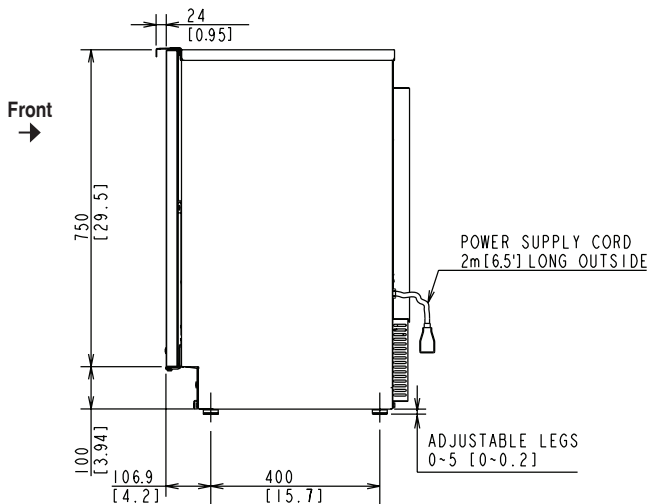


C-101BAH/C-101BAH-DS

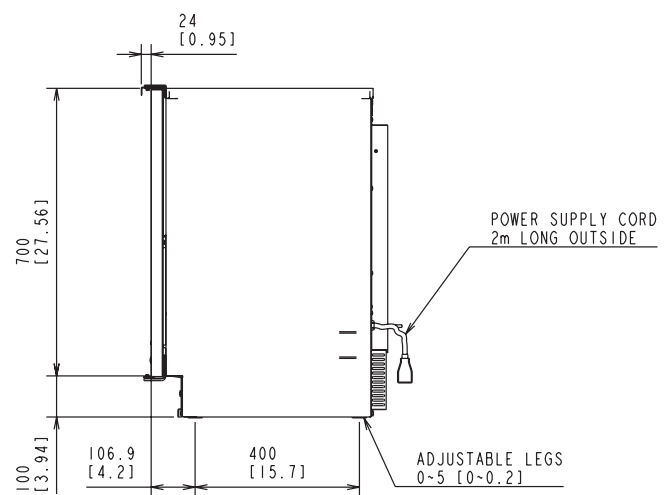


C-101BAH-AD/C-101BAH-ADDS

SIDE VIEW



C-101BAH/C-101BAH-DS



C-101BAH-AD/C-101BAH-ADDS