



DB-130/200H

SANITARY CUBE DISPENSER



DB-130/200H
02/21/19
Item # 13131

Item #: _____
 Project: _____
 Qty: _____
 AIA#: _____


W x D x H

DB-130H
22" x 30" x 53"*

DB-200H
30" x 30" x 53"*

*with 6" legs

Shipping Dimensions
(DB-130H) 30^{1/2}" x 24" x 53"
(DB-200H) 33" x 32^{1/4}" x 54"

ADA Compliant 

DB-130H

DB-200H



DB-130H
Hotel/Motel Ice Dispenser
Shown with a KM-660MWJ
(ice machine sold separately)

DB-200H
Hotel/Motel Ice Dispenser
Shown with a KML-700MAJ
(ice machine sold separately)

Features

- ▶ Ice dispensing area is ADA compliant
- ▶ Push-button single auger agitator

DB-130H

- Accommodates KM-350, KM-520, KM-660, or KMD-410 series cubers for 414 to 669 lbs. of ice per day (ice machines sold separately)
- Built-in 130 lbs. capacity* insulated polyethylene-lined ice storage bin
- Push-button single auger agitator dispenses ice at 20 lbs. per minute

DB-200H

- Accommodates KML Series, KM-350, KM-520, KM-660, series cubers for 380 to 756 lbs. of ice per day (ice machines sold separately)
- Built-in 200 lbs. capacity* insulated polyethylene-lined ice storage bin
- Push-button single auger agitator dispenses ice at 13 lbs. per minute

Top kit may be required. See bin matrix in catalog.

Warranty:

3 Year Parts & Labor on entire machine. Valid in United States, Canada, Puerto Rico and U.S. Territories. Contact factory for warranty in other countries.

* Capacity based on volume x 30 lb/ft³ average density of ice.



Model	Application Ice Storage Capacity	Measured Capacity Volume	Dispensing gear motor	Dispensing Rate	Voltage	Amperage	Net / Ship Weight (lbs.)
DB-130H	130 lbs.	3.7 ft ³	60W	20 lbs./min.	115V/60/1	1.4	178 / 215
DB-200H	200 lbs.	5.72 ft ³	60W	13 lbs./min.	115V/60/1	1.4	187 / 240

Power cord not included. Must be hard-wired at site.

Operating Limits

- Ambient Temp Range 45 - 100°F
- Voltage Range 104 - 132V

Service

- Allow 6" (15 cm) clearance at rear and sides for ease of maintenance and/or service. More space is needed on left side for DB-130H (right side for DB-200H) of the dispensing bin to service the drive system.

Plumbing

- Drain Line: Minimum 3/4" Nominal ID Hard Pipe or Equivalent

Vending

- Pushbutton - Standard



DB-130/200H

SANITARY CUBE DISPENSER



DB-130/200H
02/21/19
Item # 13131

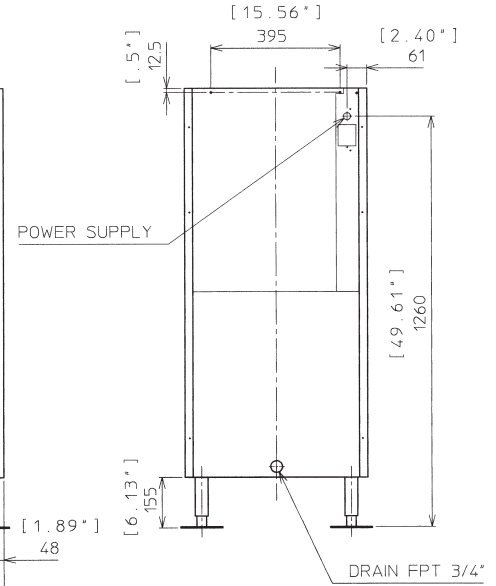
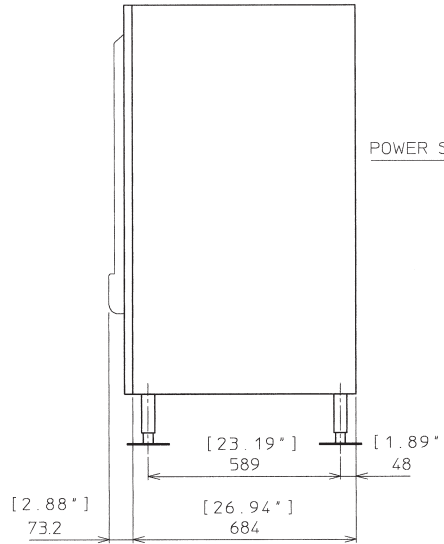
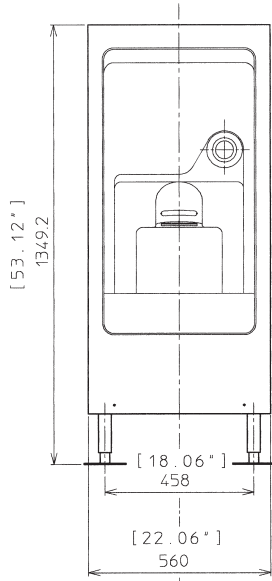
FRONT VIEW

SIDE VIEW

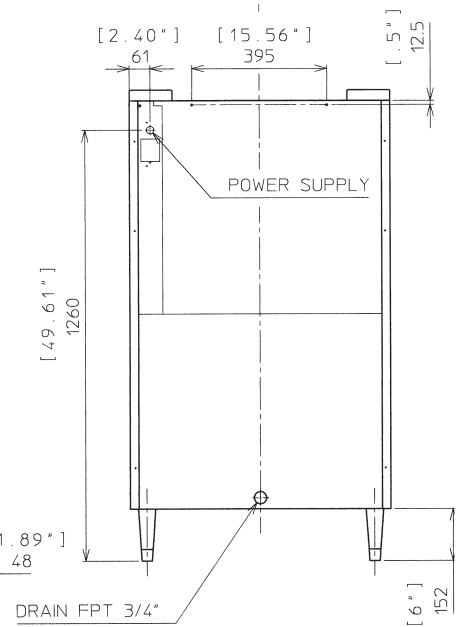
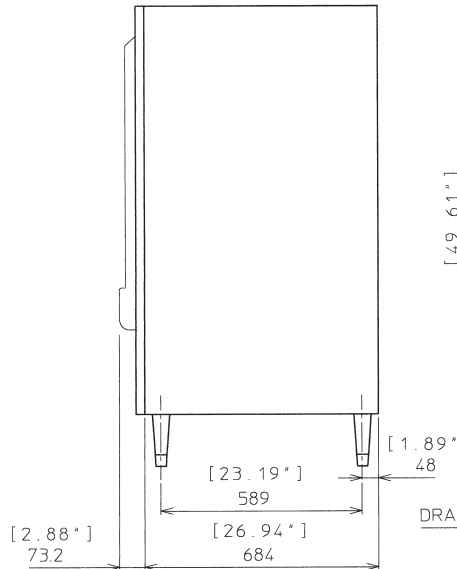
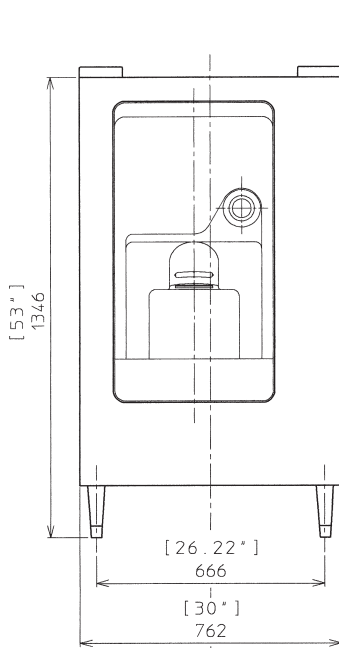
REAR VIEW

inch
[mm]

DB-130H



DB-200H



DB-130H & DB-200H Ice Dispenser Opening

