



DCM-500B_H-OS


OPTI-SERVE SERIES SANITARY CUBELET ICE MACHINE/DISPENSER




DCM-500B_H-OS
03/31/17
Item # 13147

Item #: _____
Project: _____
Qty: _____
AIA#: _____

Features

- ▶ Durable stainless steel exterior
- ▶ CleanCycle12 design 
- ▶ Stainless steel auger with greaseless bearing

- Up to 618 lbs. of ice production per 24 hours, with 40 lbs.* built-in storage
- Every 12 hours, unit performs 20 minute purge to rid itself of impurities
- Corrosion resistant stainless steel exterior
- Easy to chew, cubelet ice
- Self-contained design reduces opportunities for cross contamination
- Protected by H-GUARD Plus Antimicrobial Agent 
- Dispenses ice and water
- R-404A Refrigerant

Warranty:

3 Year Parts & Labor on entire machine.
5 Year Parts on Compressor; air-cooled condenser coil.
Valid in United States, Canada, Puerto Rico and U.S. Territories. Contact factory for warranty in other countries.

*Rated in accordance with AHRI Standard 820 (I-P)

W x D x H 26" x 22 ^{1/2} " x 40"
SD-450 26 ^{1/4} " x 22" x 32 ^{1/2} "
SD-500 25 ^{9/10} " x 22" x 32 ^{3/4} "



DCM-500BAH-OS
Air-Cooled
Shown with optional
SD-500 Stand

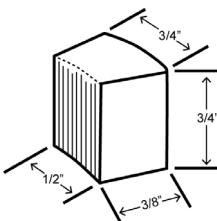
DCM-500BWH-OS
Water-Cooled

*Hands-free sensor designed for use with opaque containers.
Not intended for outdoor use - avoid placement in direct sunlight.



Condenser	Model	ICE PRODUCTION			WATER USAGE			ELECTRICAL			Heat Rejection BTU/hr.	Shipping Weight	ENERGY STAR®
		Air / Water Temp Lbs. per 24 hours 70°/ 50°F 90°/ 70°F	Type of Ice (Hardness Rating)	Potable Gal. per 100 lbs. 90°/ 70°F	Condenser Gal. per 100 lbs. 90°/ 70°F	kWh Used per 100 lbs. 90°/ 70°F	Max. Fuse Size or HACR Circuit Breaker	Amperage	Voltage				
Air-Cooled	DCM-500BAH-OS	618	450	Cubelet (88)	12.0	N/A	5.62	20A	12.9A	115V/60/1	7,000	253 lbs.	
Water-Cooled	DCM-500BWH-OS	590	512	Cubelet (88)	12.0	112	4.48	20A	12.6A	115V/60/1	6,000	253 lbs.	

Cubelet Dimensions*



* approximate size in inches, image not to scale

Operating Limits

- Ambient Temp Range 45 - 100°F
- Water Temp Range 45 - 90°F
- Water Pressure 10 - 113 PSIG
- Voltage Range 104 - 127V

Service

- Allow 6" (15 cm) clearance at rear and sides for proper air circulation and ease of maintenance/ service should they be required. Allow 24" (61 cm) clearance at top to allow for removal of the auger.

Not intended for outdoor use - avoid placement in direct sunlight.

Plumbing

- Icemaker Water Supply Line: Minimum 1/4" Nominal ID Copper Water Tubing or Equivalent
 - Icemaker Drain Line: Minimum 3/4" Nominal ID Hard Pipe or Equivalent
- Water-Cooled Model (Lines Must Be Independent of Icemaker)
- Condenser Water Supply Line: Minimum 1/4" Nominal ID Copper Water Tubing or Equivalent
 - Condenser Drain/Return Line: Minimum 1/4" Nominal ID Hard Pipe (open drain system) or Copper Water Tubing (closed loop system) or Equivalent



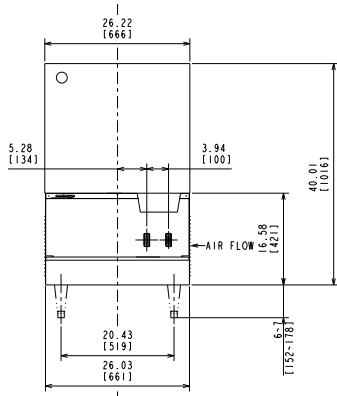
DCM-500B_H-OS

OPTI-SERVE SERIES SANITARY CUBELET ICE MACHINE/DISPENSER

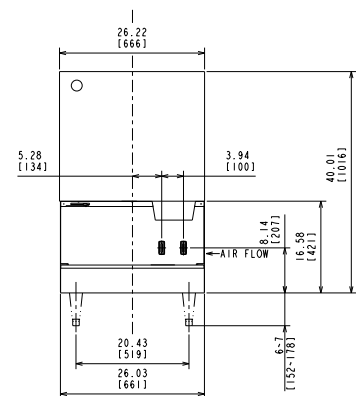


DCM-500B_H-OS
03/31/17
Item # 13147

FRONT VIEW



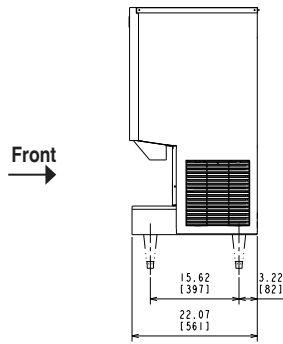
AIR-COOLED



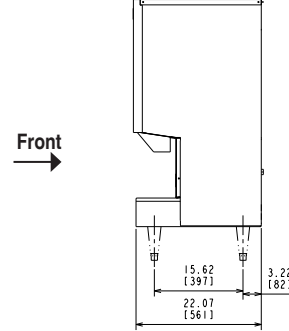
WATER-COOLED

inch
[mm]

SIDE VIEW

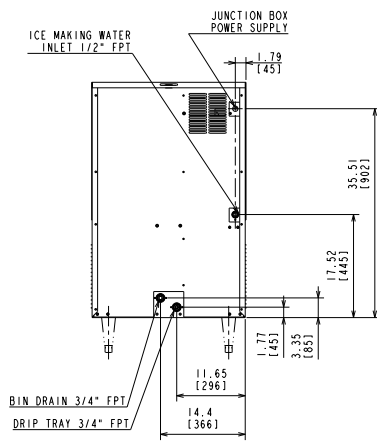


AIR-COOLED

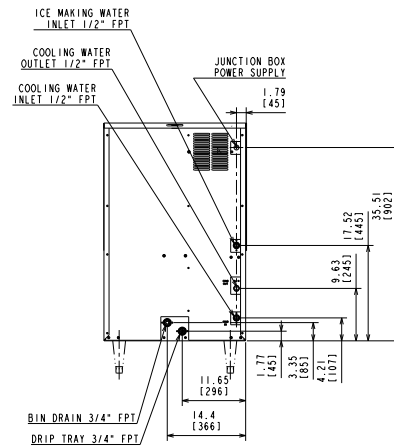


WATER-COOLED

REAR VIEW

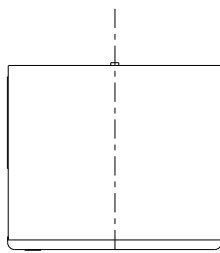


AIR-COOLED

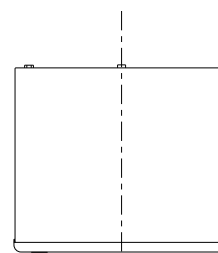


WATER-COOLED

TOP VIEW



Front ↑
AIR-COOLED



Front ↑
WATER-COOLED