



DCM-751B_H

SANITARY CUBELET ICE MACHINE/DISPENSER



DCM-751B_H
08/14/17
Item # 13290

Item #: _____
Project: _____
Qty: _____
AIA#: _____

W x D x H
34^{1/16}" x 28^{1/2}" x 48^{1/16}"*

SD-700
34^{1/4}" x 28^{1/4}" x 32^{1/2}"


SD-750
34" x 28" x 32^{3/4}"


DCM-751BAH
Air-Cooled
Shown with optional
SD-750 Stand

DCM-751BWH
Water-Cooled



Features

- ▶ Durable stainless steel exterior
- ▶ Advanced CleanCycle24™ design 
- ▶ Stainless steel auger with greaseless bearing

- Up to 801 lbs. of ice production per 24 hours
- Built-in storage capacity of 3.2ft³/95 lbs.*
- 2 second flush cycle every hour
- Easy to chew, cubelet ice
- Self-contained design reducing opportunities for cross contamination
- Flush cycle removes sediment for cleaner ice
- Protected by H-GUARD Plus Antimicrobial Agent 
- Removable air filters (Air-cooled model only)
- Dispenses ice and water
- R-404A Refrigerant

Warranty:

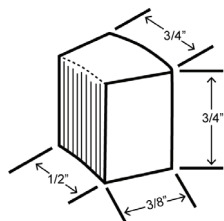
3 Year Parts & Labor on entire machine.
5 Year Parts on Compressor; air-cooled condenser coil.
Valid in United States, Canada, Puerto Rico and U.S. Territories. Contact factory for warranty in other countries.

*Rated in accordance with AHRI Standard 820(I-P). Capacity based on 100% of total volume x 30 lb/ft³ average density of ice.



Condenser	Model	ICE PRODUCTION			WATER USAGE			ELECTRICAL			Heat Rejection BTU/hr.	Shipping Weight	ENERGY STAR®
		Air / Water Temp Lbs. per 24 hours 70°/ 50°F	90°/ 70°F	Type of Ice (Hardness Rating)	Potable Gal. per 100 lbs. 90°/ 70°F	Condenser Gal. per 100 lbs. 90°/ 70°F	kWh Used per 100 lbs. 90°/ 70°F	Max. Fuse Size or HACR Circuit Breaker	Amperage	Voltage			
Air-Cooled	DCM-751BAH	801	583	Cubelet (90)	12.0	N/A	5.94	20A	7.3A	115V/60/1	9,300	345 lbs.	
Water-Cooled	DCM-751BWH	782	678	Cubelet (84.1)	12.0	96	4.76	20A	7.9A	115V/60/1	7,600	345 lbs.	

Cubelet Dimensions*



* approximate size in inches, image not to scale

Operating Limits

- Ambient Temp Range 45 - 100°F
- Water Temp Range 45 - 90°F
- Water Pressure 10 - 113 PSIG
- Voltage Range 104 - 127V

Service

- Allow 6" (15 cm) clearance at rear and sides for proper air circulation and ease of maintenance/service should they be required. Allow 24" (61 cm) clearance at top to allow for removal of the auger.

Plumbing

- Icemaker Water Supply Line: Minimum 1/4" Nominal ID Copper Water Tubing or Equivalent
 - Icemaker Drain Line: Minimum 3/4" Nominal ID Hard Pipe or Equivalent
- Water-Cooled Model (Lines Must Be Independent of Icemaker)
- Condenser Water Supply Line: Minimum 1/4" Nominal ID Copper Water Tubing or Equivalent
 - Condenser Drain/Return Line: Minimum 1/4" Nominal ID Hard Pipe (open drain system) or Copper Water Tubing (closed loop system) or Equivalent



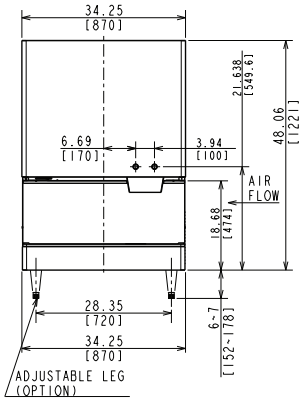
DCM-751B_H

SANITARY CUBELET ICE MACHINE/DISPENSER

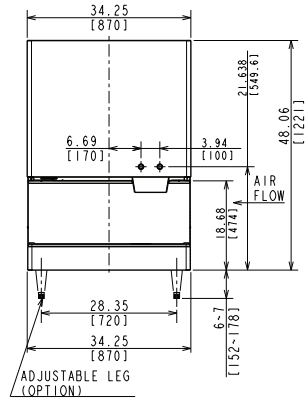


DCM-751B_H
08/14/17
Item # 13290

FRONT VIEW



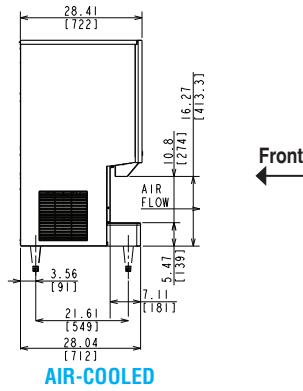
AIR-COOLED



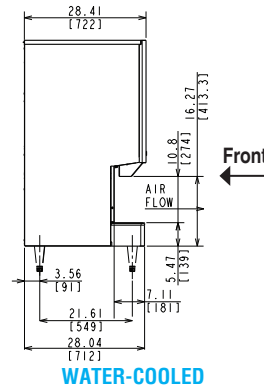
WATER-COOLED

inch
[mm]

SIDE VIEW

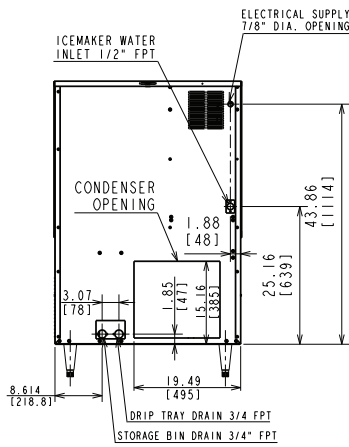


AIR-COOLED

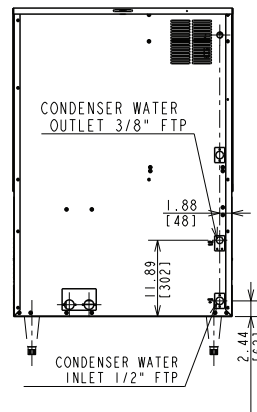


WATER-COOLED

REAR VIEW

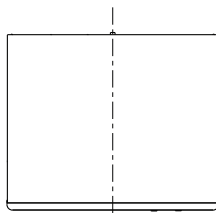


AIR-COOLED

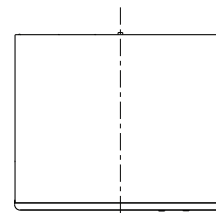


WATER-COOLED

TOP VIEW



Front ↑
AIR-COOLED



Front ↑
WATER-COOLED