

# F-1501M\_H-C

## MODULAR CUBELET ICE MACHINE

Item # \_\_\_\_\_

Project: \_\_\_\_\_

Qty: \_\_\_\_\_

\*AutoCad available on KCL

F-1501M\_H-C

4/22/16

Item #13341

### CUBELET DIMENSIONS

W x D x H

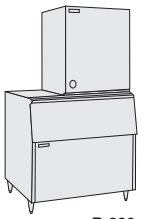
**F-1501M\_H-C**  
30 x 27<sup>1/2</sup> x 34<sup>7/16</sup>



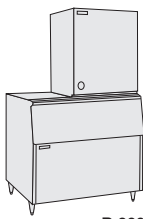
B-500



B-700



B-800



B-900

Also available on Large Bins:

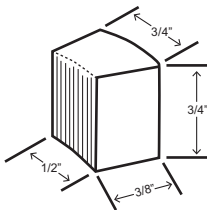
B-1150SS

B-1300SS

B-1500SS

B-1650SS

### \*CUBELET DIMENSIONS



\*approximate size in inches, image not to scale

### F-1501MAH-C

Air-Cooled

Shown on an optional  
B-900

### F-1501MWH-C

Water-Cooled

### F-1501MRH-C

Remote Air-Cooled



- Up to 1335 lbs. of ice production per 24 hours
- Durable stainless steel exterior
- Advanced CleanCycle24™ Design
- Removes sediment
- Cleaner ice
- Longer life and easy maintenance
- Removable air filters (Air-cooled model only)
- R-404A Refrigerant



\* The F-1501MRH-C is ENERGY STAR qualified.

### Warranty

Valid in United States, Canada, Puerto Rico, & U.S. Territories. Contact factory for warranty in other countries.

**Three Year** - Parts & Labor on entire machine. (Serial numbers Vxxxxx) and after.)

**Five Year** - Parts on: Compressor, air-cooled condenser coil.



ISO 9001-ISO 14001



SAL0203

© HOSHIZAKI AMERICA, INC.

618 Hwy. 74 S., Peachtree City, GA 30269

TEL 1-800-438-6087

FAX 1-800-345-1325

www.hoshizaki.com



# Hoshizaki

# F-150IM\_H-C MODULAR CUBELET ICE MACHINE

**DIMENSIONS**  
W x D x H  
**F-150IM\_H-C**  
30 x 27<sup>1/2</sup> x 34<sup>7/16</sup>

- Air-cooled
- Water-cooled
- Remote Air-cooled

### AIR-COOLED

Water Temp° F.	50°	70°	90°
Air Temp° F. 70°	1300	1245	1194
Air Temp° F. 80°	1145	1099	1054
Air Temp° F. 90°	1011	<b>939</b>	930

### WATER-COOLED

Water Temp° F.	50°	70°	90°
Air Temp° F. 70°	1208	1211	1184
Air Temp° F. 80°	1158	1132	1107
Air Temp° F. 90°	1083	<b>1096</b>	1035

### REMOTE AIR-COOLED

Water Temp° F.	50°	70°	90°
Air Temp° F. 70°	1335	1294	1258
Air Temp° F. 80°	1223	1188	1155
Air Temp° F. 90°	1123	<b>1064</b>	1060

### UTILITY CONSUMPTION

Model Number	KWH per 100 LBS. 90/70	Potable Water Gal. per 100 lbs.
F-1501MAH-C	5.36	12.0
F-1501MWH-C	3.95	12.0
F-1501MRH-C	4.35	12.0

### SPECIFICATIONS

Model Number	Condenser	Amperage	Min. Circuit Ampacity	Shipping Weight
F-1501MAH-C	Air-Cooled	15.93	20	325 lbs.
F-1501MWH-C	Water-Cooled	15.44	20	325 lbs.
F-1501MRH-C	Remote Air-Cooled	18.44	20	315 lbs.

### STORAGE BINS

Model Number	AHRI-Rated Storage Capacity*
B-500	360 lbs.
B-700	550 lbs.
B-800	600 lbs.
B-900	660 lbs.
B-1150	900 lbs.
B-1300	950 lbs.
B-1500	1120 lbs.
B-1650	1210 lbs.

\*Rated in accordance with AHRI Standard 820 (I-P)

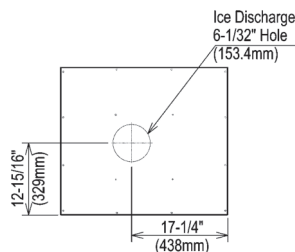
### ELECTRICAL & PLUMBING/F-150IM\_H-C

- 208-230V/60/1 (3 wire dedicated neutral for I15V)
- 20 amp Max Fuse/HACR Breaker Size
- Ice maker Water Supply Line: Minimum 1/4" Nominal ID Copper Water Tubing or Equivalent
- Ice maker Drain Line: Minimum 3/4" Nominal ID Hard Pipe or Equivalent

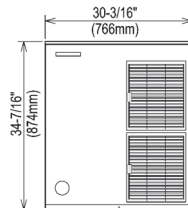


© HOSHIZAKI AMERICA, INC.

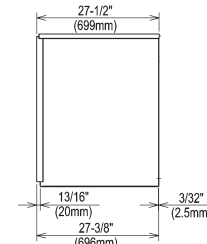
618 Hwy. 74 S., Peachtree City, GA 30269



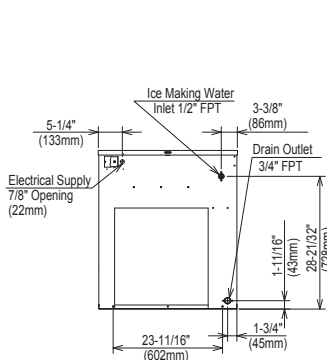
ICE DROP ZONE



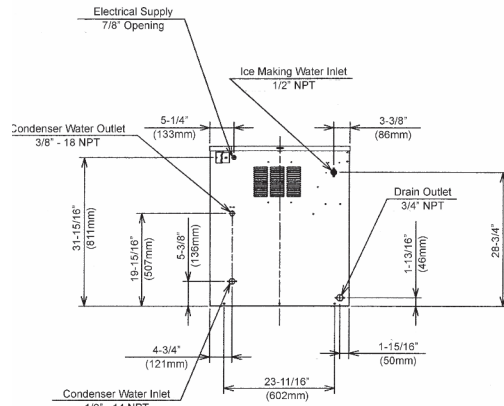
FRONT VIEW



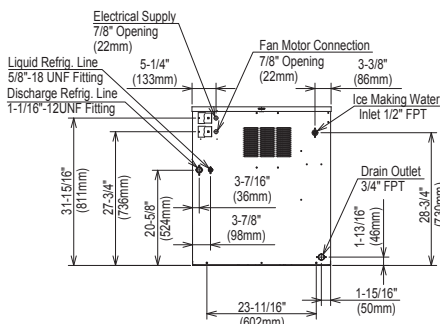
SIDE VIEW



AIR-COOLED UNIT

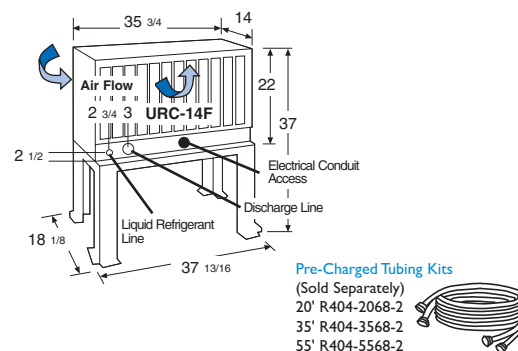


WATER COOLED UNIT



REMOTE AIR-COOLED UNIT

URC-14F Remote Condenser (Sold Separately)  
For Use with F-1501MRH-C



Pre-Charged Tubing Kits (Sold Separately)  
20' R404-2068-2  
35' R404-3568-2  
55' R404-5568-2

Voltage supply for the URC Remote Condenser is supplied from the Ice Maker.  
No additional circuit is required.

### OPERATING LIMITS

• Ambient Temp Range	45 - 100°F
• Water Temp Range	45 - 90°F
• Water Pressure	10 - 113psig
• Voltage Range	104 - 127V

### SERVICE

- Panels easily removed and all components accessible for service.
- Removable/cleanable air filter (Air-Cooled models only)

TEL 1-800-438-6087

FAX 1-800-345-1325

www.hoshizaki.com

Printed in U.S.A.

