



F-801M_J(-C)

Modular Ice Machine Slim-Line Series



F-801M_J(-C)
03/31/17
Item # 13037

Item #: _____
Project: _____
Qty: _____
AIA#: _____

W x D x H
22" x 27^{3/8}" x 26"

F-801MAJ ★
Air-Cooled Flaker


F-801MWJ
Air-Cooled Flaker

F-801MAJ-C ★
Air-Cooled Cubelet

F-801MWJ-C
Air-Cooled Cubelet



Features

- ▶ Durable stainless steel exterior
- ▶ Advanced CleanCycle24™ design 
- ▶ Stainless steel auger with greaseless bearing
- Flaker - Up to 751 lbs. of ice production per 24 hours
- Cubelet - Up to 690 lbs. of ice production per 24 hours
- Mount two units, side-by-side, in only 44" of floor space for double the amount of ice production
- 2 second flush cycle every hour
- Flush cycle removes sediment for cleaner ice
- Infrared bin control for easy cleaning and reliability
- R-404A Refrigerant

Available on Bins:

B-250PF **B-500PF/SF** **B-800PF/SF** **B-1150SS** **B-1500SS***
B-300PF/SF **B-700PF/SF** **B-900PF/SF** **B-1300SS** **B-1650SS***

*Top kit may be required. See Bin Spec Sheets. *Two unit application only.*

Warranty:

3 Year Parts & Labor on entire machine. 5 Year Parts on Compressor; air-cooled condenser coil. Valid in United States, Canada, Puerto Rico and U.S. Territories. Contact factory for warranty in other countries.

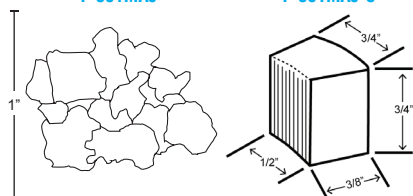


| Condenser | Model | ICE PRODUCTION | | | WATER USAGE | | | ELECTRICAL | | | Heat Rejection BTU/hr. | Shipping Weight | ENERGY STAR® |
|--------------|------------|---|-------------------------------|-------------------------------------|---------------------------------------|---------------------------------|--|------------|-----------|-------|------------------------|-----------------|--------------|
| | | Air / Water Temp Lbs. per 24 hours 70°/ 50°F 90°/ 70°F | Type of Ice (Hardness Rating) | Potable Gal. per 100 lbs. 90°/ 70°F | Condenser Gal. per 100 lbs. 90°/ 70°F | kWh Used per 100 lbs. 90°/ 70°F | Max. Fuse Size or HACR Circuit Breaker | Amperage | Voltage | | | | |
| Air-Cooled | F-801MAJ | 751 | 566 Flaked (79.4) | 12.0 | N/A | 4.5 | 15A | 11.8A | 115V/60/1 | 5,900 | 205 lbs. | ★ | |
| Water-Cooled | F-801MWJ | 680 | 605 Flaked (76.9) | 12.0 | 119 | 3.9 | 15A | 11.8A | 115V/60/1 | 6,200 | 205 lbs. | | |
| Air-Cooled | F-801MAJ-C | 690 | 532 Cubelet (86.6) | 12.0 | N/A | 5.00 | 15A | 11.8A | 115V/60/1 | 5,000 | 205 lbs. | ★ | |
| Water-Cooled | F-801MWJ-C | 632 | 580 Cubelet (82) | 12.0 | 120 | 4.13 | 15A | 11.5A | 115V/60/1 | 6,000 | 205 lbs. | | |

Cube Dimensions*

Flaked
F-801MAJ

Cubelet
F-801MAJ-C



* approximate size in inches, image not to scale

Operating Limits

- Ambient Temp Range 45 - 100°F
- Water Temp Range 45 - 90°F
- Water Pressure 10 - 113 PSIG
- Voltage Range 104-127V

Service

- Panels easily removed and all components accessible for service.
- Removable/cleanable air filter (Air-cooled model only)
- Allow 6" (15 cm) clearance at rear and sides, and 24" (61 cm) clearance at top for proper air circulation and ease of maintenance/service.

Plumbing

- Icemaker Water Supply Line: Minimum 1/4" Nominal ID Copper Water Tubing or Equivalent
- Icemaker Drain Line: Minimum 3/4" Nominal ID Hard Pipe or Equivalent

Water-Cooled Model (Lines Must Be Independent of Icemaker)

- Condenser Water Supply Line: Minimum 1/4" Nominal ID Copper Water Tubing or Equivalent
- Condenser Drain/Return Line: Minimum 1/4" Nominal ID Hard Pipe (open drain system) or Copper Water Tubing (closed loop system) or Equivalent



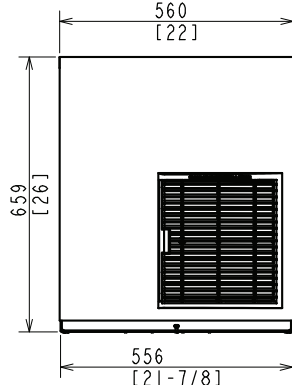
F-801M_J(-C)

Modular Ice Machine
Slim-Line Series

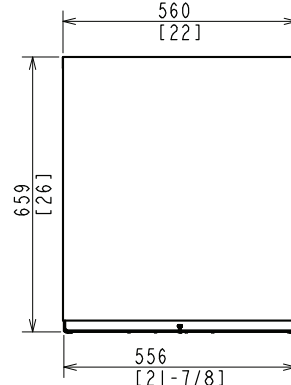


F-801M_J(-C)
03/31/17
Item # 13037

FRONT VIEW



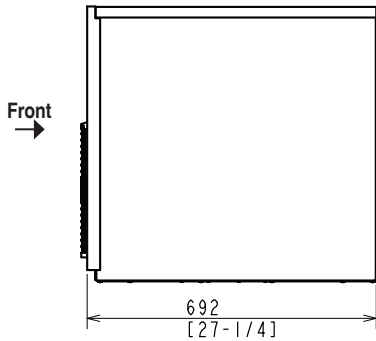
AIR-COOLED



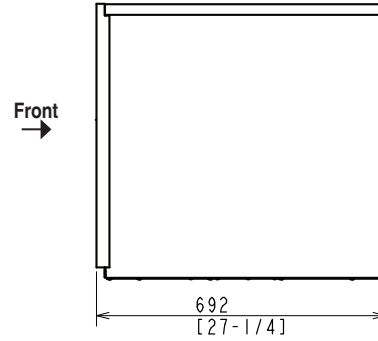
WATER-COOLED

mm
[inch]

SIDE VIEW

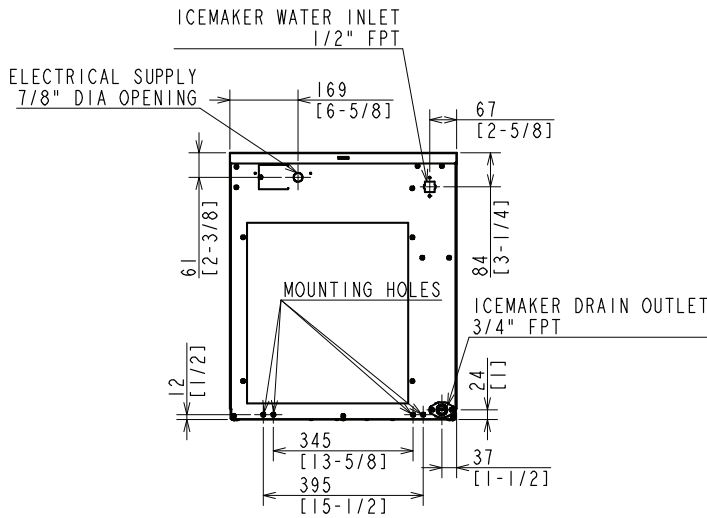


AIR-COOLED

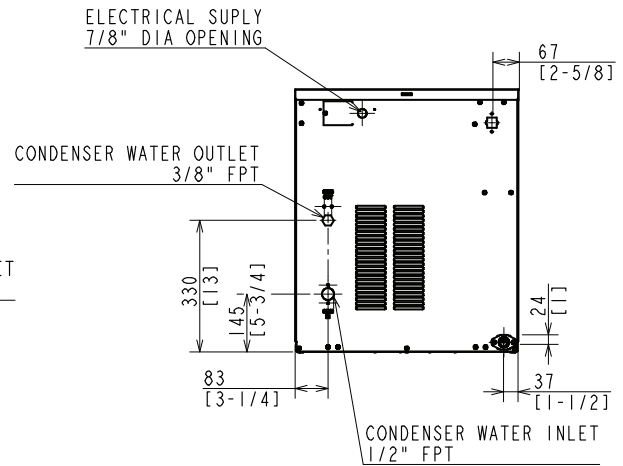


WATER-COOLED

REAR VIEW

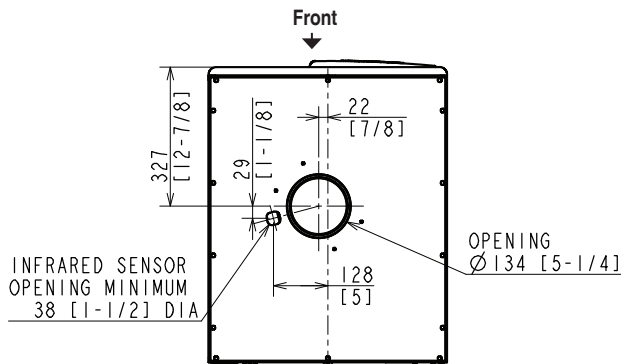


AIR-COOLED

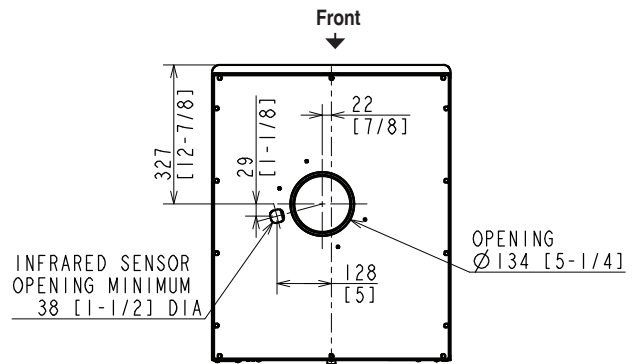


WATER-COOLED

BOTTOM VIEW



AIR-COOLED



WATER-COOLED