



# FD-1002M\_J-C

Modular Ice Machine  
Slim-Line Dispenser Series



FD-1002M\_J-C  
01/05/18  
Item # 13242

**W x D x H**  
22" x 24" x 26"


Shipping Dimensions  
28<sup>1</sup>/<sub>2</sub>" x 26<sup>3</sup>/<sub>4</sub>" x 32"


**FD-1002MAJ-C**  
Air-Cooled Cubelet  
Shown on optional bin B-700

**FD-1002MRJ-C**  
Remote Air-Cooled Cubelet



## Features

- ▶ Durable stainless steel exterior
- ▶ Advanced CleanCycle24™ design 
- ▶ Stainless steel auger with greaseless bearing

- Up to 890 lbs. of ice production per 24 hours
- 2 second flush cycle every hour
- Flush cycle removes sediment for cleaner ice
- Infrared bin control for easy cleaning and reliability
- Protected by H-GUARD Plus Antimicrobial Agent 
- Ice on beverage design
- Popular cubelet ice
- R-404A Refrigerant

### Available on Bins:

**B-250PF B-500PF/SF B-700PF/SF B-800PF/SF B-900PF/SF**  
Top kit may be required; See Bin Spec Sheets.

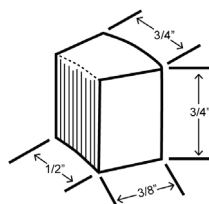
### Warranty:

3 Year Parts & Labor on entire machine. 5 Year Parts on Compressor; air-cooled condenser coil. Valid in United States, Canada, Puerto Rico and U.S. Territories. Contact factory for warranty in other countries.



Condenser	Model	ICE PRODUCTION		WATER USAGE		ELECTRICAL							
		Air / Water Temp Lbs. per 24 hours 70°/ 50°F 90°/ 70°F	Potable Gal. per 100 lbs. 90°/ 70°F	Condenser Gal. per 100 lbs. 90°/ 70°F	kWh Used per 100 lbs. 90°/ 70°F	Max. Fuse Sz or HACR Circuit Bkr	Amperage	Voltage	Circuit Wires (including ground)	Heat Rejection BTU/hr.	Refrigerant Charge Amount	Net / Ship Weight (lbs.)	
Air	FD-1002MAJ-C	890	726	12.0	N/A	4.57	20A	15.2A	115V/60/1	3	8,700	2 lbs. 4 oz.	176 / 210
Remote	FD-1002MRJ-C	821	680	12.0	N/A	4.94	20A	13.7A	115V/60/1	3	8,500	2 lb. 3.3 oz. <small>4 lbs. 1 oz. † (with condenser)</small>	176 / 210

### Cube Dimensions\*



\* approximate size in inches, image not to scale

### Operating Limits

- Ambient Temp Range 45 - 100°F
- Water Temp Range 45 - 90°F
- Water Pressure 10 - 113 PSIG
- Voltage Range 104-127V

### Service

- Panels easily removed and all components accessible for service.
- Allow 24" (61 cm) clearance at top for removal of auger and 6" (15 cm) clearance at rear and sides for proper air circulation and ease of maintenance/service.

### Plumbing

- Icemaker Water Supply Line: Minimum 1/4" Nominal ID Copper Water Tubing or Equivalent
- Icemaker Drain Line: Minimum 3/4" Nominal ID Hard Pipe or Equivalent

### Water Filter

Please refer to water filter specification sheet for recommendations.



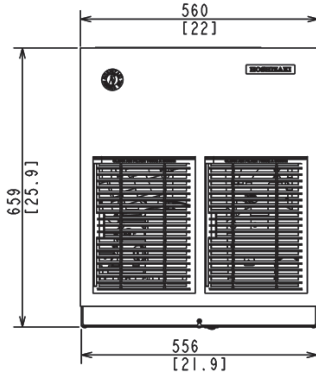
# FD-1002M\_J-C

Modular Ice Machine  
Slim-Line Dispenser Series

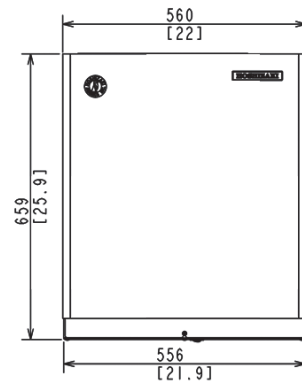


FD-1002M\_J-C  
01/05/18  
Item # 13242

FRONT VIEW



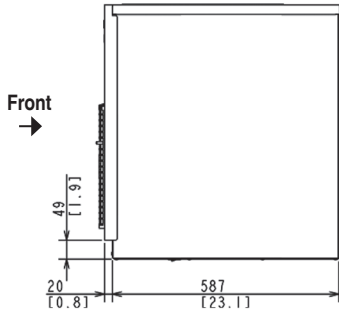
AIR-COOLED



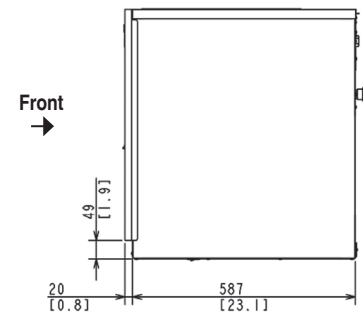
REMOTE AIR-COOLED

mm  
[inch]

SIDE VIEW

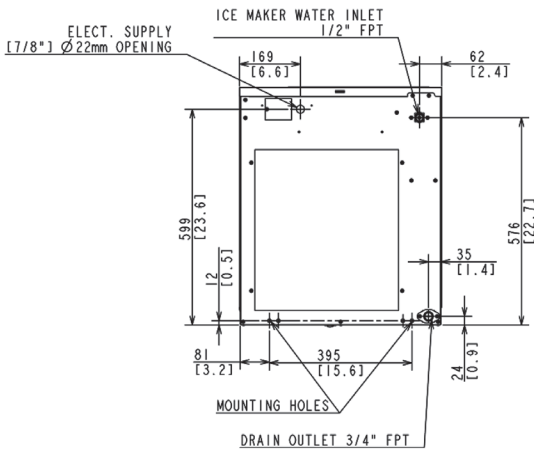


AIR-COOLED

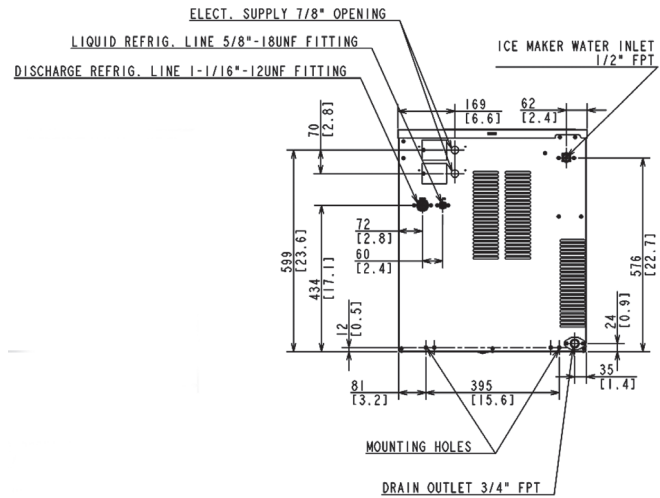


REMOTE AIR-COOLED

REAR VIEW

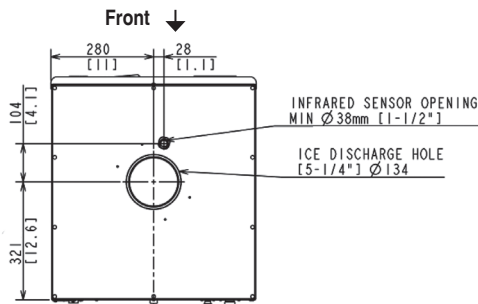


AIR-COOLED



REMOTE AIR-COOLED

BOTTOM VIEW



AIR-COOLED  
REMOTE AIR-COOLED

URC-5F Remote Condenser (Sold Separately)  
(W x D x H) 21 13/16 x 14 1/16 x 32 13/16  
For Use with FD-1002MRJ(-C)



Pre-Charged Tubing Kits  
(Sold Separately)  
20' R404-2046-2  
35' R404-3546-2

Voltage supply for the URC  
Remote Condenser is supplied  
from the Ice Maker.  
No additional circuit is required.

