



FS-1001MLJ-C

SERENITY SERIES CUBELET ICE MACHINE



FS-1001MLJ-C
03/04/19
Item # 13211

Item #: _____
Project: _____
Qty: _____
AIA#: _____

Modular Head Unit
W x D x H
30" x 11" x 26"

Remote Unit Dimension
SRC-10J
35^{3/4}" x 23^{1/2}" x 22"

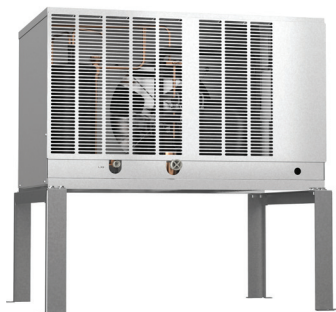
Installation Dimension*
SRC-10J
38" x 29" x 37"

*Dimensions include legs


FS-1001MLJ-C
Remote Air-Cooled



SRC-10J



Features

- ▶ Quiet operation - perfect for dining area
- ▶ Advanced CleanCycle24™ design 
- ▶ Stainless steel auger with greaseless bearing

- Up to 851 lbs. of ice production per 24 hours
- Durable stainless steel exterior
- EverCheck™ alert system
- No heat, less noise
- 2 second flush cycle every hour
- Flush cycle removes sediment for cleaner ice
- Slim depth - easier to clean dispenser
- Front and back serviceability
- 8 ft. power cord with NEMA 5-15P plug
- Compatible with Hoshizaki condenser or central rack system
- R-404A Refrigerant

Warranty:

3 Year Parts & Labor on entire machine. 5 Year Parts on Compressor; air-cooled condenser coil. Valid in United States, Canada, Puerto Rico and U.S. Territories. Contact factory for warranty in other countries.

FS-1001MLJ-C Shipping: (LxWxH) 34.75" x 15.75" X 32" Volume: 10.14ft³

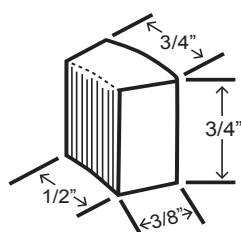
Condenser	Model	ICE PRODUCTION		WATER USAGE		ELECTRICAL			Refrigerant Charge Amount	Net / Ship Weight (lbs.)	
		Air / Water Temp Lbs. per 24 hours 70°/ 50°F 90°/ 70°F		Potable Gal. per 100 lbs.	Condenser Gal. per 100 lbs.	kWh Used per 100 lbs.	Amperage	Voltage			Circuit Wires (including ground)
Remote	FS-1001MLJ-C	851	720	12.0	N/A	5.07	3.0A	115V/60/1 *	See remote condenser	0lb. 3.5 oz.	126/166

Condenser	Model	LINE SETS - Brazing Required			TEMP RANGE	ELECTRICAL					Refrigerant Charge Amount	Net / Ship Weight (lbs.)	
		25' Length	35' Length	55' Length		Ambient (Outdoor Use)	Voltage Range	Min. Circuit Amp - Max. Fuse/Breaker	Amperage	Voltage			Circuit Wires (including ground)
Remote	SRC-10J	HS-5299†	HS-5300†	HS-5301†	-20° - 122°	187-253VAC	20A	9.3A	208-230V/60/1	4	9,800	15 lb. 14 oz.	225 /270

† Line sets require refrigerant. Refer to instruction manual for installation and electrical requirements. See instruction manual for wiring diagram.

Power cord included.

Cubelet Cube Dimensions*



* approximate size in inches, image not to scale

Operating Limits FS-1001MLJ-C

- Ambient Temp Range 45 - 100°F
- Water Temp Range 45 - 90°F
- Water Pressure 10 - 113 PSIG
- Voltage Range 104-127V/187-253V*

Service FS-1001MLJ-C

- Allow 6" (15 cm) clearance at rear, sides, and top for proper air circulation and ease of maintenance/service.
- Allow 24" (61 cm) clearance on left side for removal of cube guides
- Panels easily removed and all components accessible for service.

Plumbing FS-1001MLJ-C

- Icemaker Water Supply Line: Minimum 1/4" Nominal ID Copper Water Tubing or Equivalent
- Icemaker Drain Line: Minimum 3/4" Nominal ID Hard Pipe or Equivalent

Service- SRC-10J

- Allow 24" (61 cm) clearance in both front and rear for proper air circulation and ease of maintenance/service.
- For best performance the Remote Condenser should not be more than 33 feet above the icemaker or no more than 10 feet below it. These distances are measure from fitting to fitting.



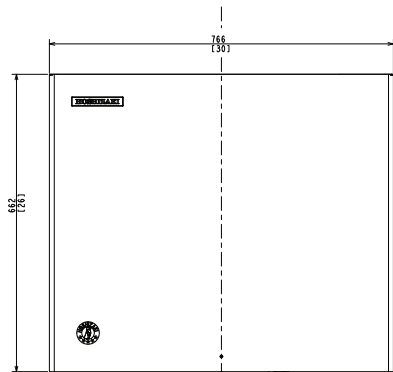
FS-1001MLJ-C

SERENITY SERIES CUBELET ICE MACHINE

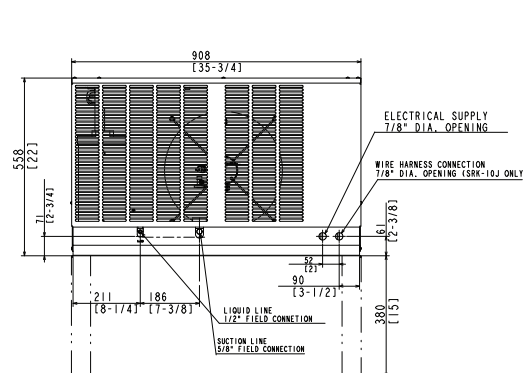


FS-1001MLJ-C
03/04/19
Item # 13211

FRONT VIEW



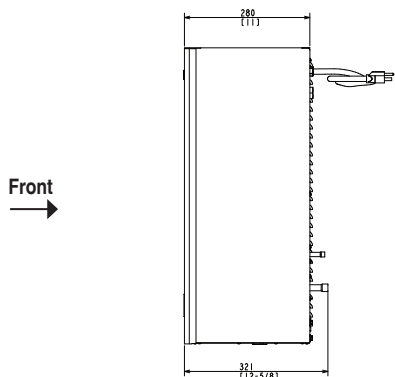
REMOTE AIR-COOLED



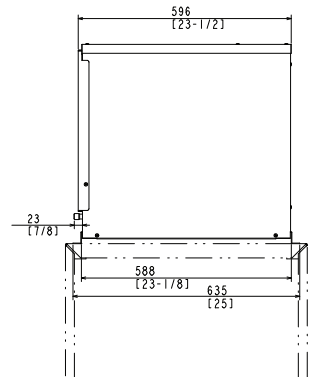
SRC-10J REMOTE CONDENSER

mm
[inches]

SIDE VIEW

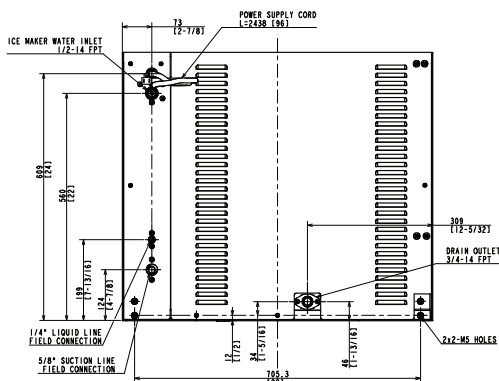


REMOTE AIR-COOLED



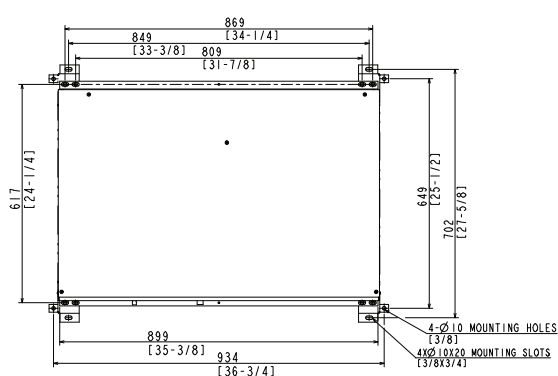
SRC-10J REMOTE CONDENSER

REAR VIEW



REMOTE AIR-COOLED

TOP VIEW

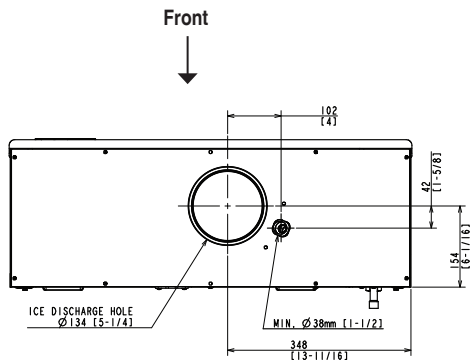


SRC-10J REMOTE CONDENSER

SRC-10J Remote Condenser (Sold Separately)
35 3/4" x 23 1/2" x 37" (W x D x H with legs)

For Use with FS-1001MLJ-C

BOTTOM VIEW



REMOTE AIR-COOLED



Brazed Line Sets (Sold Separately)
25" HS-5299
35" HS-5300
55" HS-5301

Voltage supply for ice maker and condensing unit are separate.

