

Item # _____

Project: _____

Qty: _____

*AutoCad available on KCL

HPR46/72A-D

REFRIGERATED PREP TABLE WITH DRAWERS

TEMPGUARD® Self-Contained Refrigerated Prep Table with EverCheck® Controls

HPR46/72A-D

11/09

Item # 13253

HPR46A-D DIMENSIONS

W x D x H

46 x 32.3 x 44.8*

*with 4" casters

HPR72A-D DIMENSIONS

W x D x H

72 x 32.3 x 44.8*

*with 4" casters



HPR46A-D

Shown with optional
cutting board

HPR72A-D

Shown with optional
cutting board

- Stainless steel interior and exterior top, front and sides with galvanized steel back and bottom for long life, durability and easy maintenance
- Cabinet drawer perimeter heater provides condensation control in high humidity environments and is equipped with a back-up should the primary heater fail
- Cabinet and drawer mullion are insulated with 2³/₈" CFC free, foamed-in-place polyurethane
- Each drawer accommodates (2) 12" x 20" x 6" deep pans (pans not included) and features full extension drawer slides
- Drawer fronts are constructed of high-grade stainless steel inside and out
- The drawer module frame and drawer slides are constructed of 14 gauge stainless steel for superior durability
- Snap-in magnetic drawer gaskets are durable and easily removed for cleaning
- Delrin rollers, used in combination with the stainless steel slides, provide for smooth, quiet drawer operation without metal to metal contact
- Drawers have a 250 lb. dynamic load rating
- Equipped with 4" heavy duty casters (2 with brakes), standard
- Refrigerated rail is mechanically cooled, equipped with a 1" drain and utilizes low profile fans to circulate refrigerated air
- Rail will accommodate 1/6th, 1/3rd or full size pans 6" deep (Pans and adapter bars by others). Food pans are located 1" below front of rail and provide easier access than traditional raised rail prep tables
- One piece stainless steel rail cover is standard
- TempGuard's® EverCheck® controls monitor high and low temperatures, control board and sensor functions, clean filter and provide visual alarms to alert operator to possible problems
- Refrigeration system is equipped with solid state digital controls (Fahrenheit or Celsius display) for both the base and rail with a master on/off switch
- Exclusive "night switch" control setting allows over night product storage in rail with cover closed (Please note: Food product must be properly covered)
- High-efficiency, self-contained refrigeration system is designed to meet or exceed NSF Standard 7 performance requirements at 86°F ambient temperature
- Cabinet defrost cycles are time initiated - temperature terminated
- Removable, cleanable air filter protects condenser and reduces cleaning requirements
- Hot gas condensate evaporator is standard
- Units equipped with 8' - 6" cord and plug
- Refrigerant: R-404A with expansion valve controls



Warranty

Valid in United States, Canada, Puerto Rico, & U.S. Territories. Contact factory for warranty in other countries.

Two Year - Parts & Labor on entire machine.**Five Year** - Parts on: Compressor.

H

hoshizaki

HPR46/72A-D REFRIGERATED PREP TABLE

DIMENSIONS

W x D x H
HPR46A-D
 46" x 32.3" x 44.8"
*with 4" casters
HPR72A-D
 72" x 32.3" x 44.8"
*with 4" casters

REFRIGERATED PREP TABLE

- 1 section refrigerated prep table w/drawers
- 2 section refrigerated prep table w/drawers

DIMENSIONS/CAPACITY

Model #	HPR46A-D	HPR72A-D
Interior Storage Capacity (CF)	8.5 ft ³	18.8 ft ³
Overall Width	46"	72"
Overall Depth	32.3"	32.3"
Height (including 4" casters)	44.8"	44.8"
Depth with Drawer fully open (in)	58.1"	58.1"
Drawer Opening Width	22.5"	22.5"
Drawer Opening Height	9.9"	9.9"
Adjustable Shelves	N/A	N/A
Shelf Dimensions (W x D)	N/A	N/A
Crated Shipping Weight	431 lbs	696 lb
Crated Height	51.8"	51.8"
Crated Width	50"	76"
Crated Depth	36.25"	36.25"

ELECTRICAL & REFRIGERATION DATA

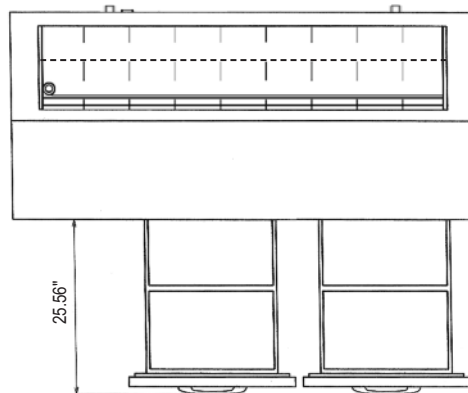
Model #	HPR46A-D	HPR72A-D
Voltage	115/60/1	115/60/1
Amperage	7.6	13.6
HACR Breaker	15.0	20.0
Electrical Connection (NEMA)	5 - 15P	5 - 20P
*Energy Consumption (kwh/day)	7.3	16
*Heat Rejection (BTU/Hr.)	1043.5	2275
Approximate Nominal Compressor BTU/Hr.(HP)	1280 (1/4HP)	4391 (5/8HP)
Voltage Range	104 - 126	104 - 126
Ambient Temp. Range	45° - 86°F	45° - 86°F
Control Setpoint Range (Base)	21° to 53°F	21° to 53°F
Control Setpoint Range (Rail)	-13° to 53°F	-13° to 53°F
*Refrigerant	R-404A	R-404A

* Based on 86°F ambient cycling at setpoint

OPTIONS

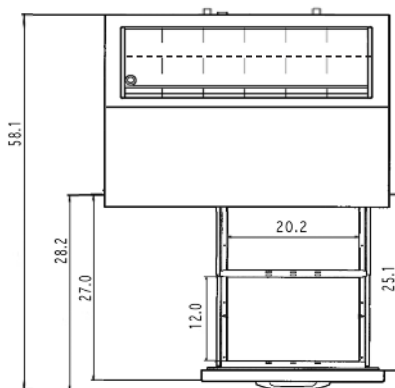
- 1/2" polyurethane cutting board

RAIL CAPACITY - (18) 1/6 SIZE PANS 6" DEEP
 (Pans and Adapter Bars by Others)

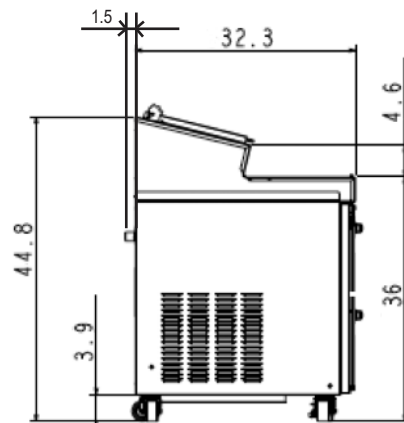


TOP VIEW - HPR72A-D

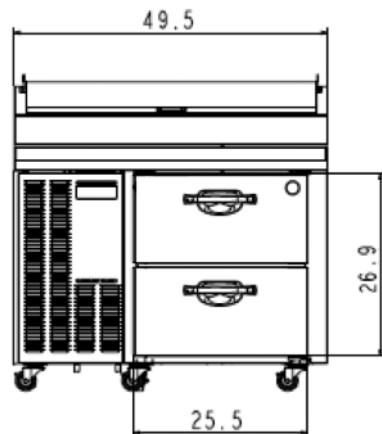
RAIL CAPACITY - (12) 1/6 SIZE PANS 6" DEEP
 (Pans and Adapter Bars by Others)



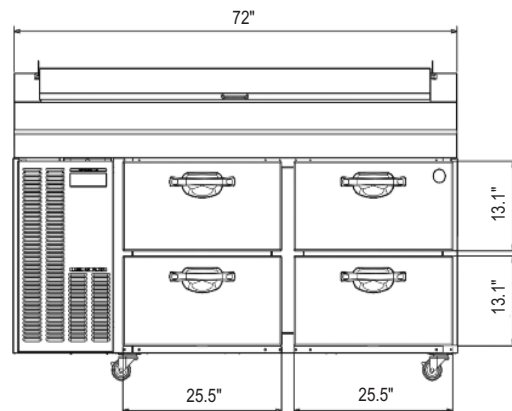
TOP VIEW - HPR46A-D



SIDE VIEW



FRONT VIEW - HPR46A-D



FRONT VIEW - HPR72A-D



© HOSHIZAKI AMERICA, INC.

618 Hwy. 74 S., Peachtree City, GA 30269

TEL 1-800-438-6087

FAX 1-800-345-1325

www.hoshizaki.com

Printed in U.S.A.

