

Item # _____

Project: _____

Qty: _____

*AutoCad available on KCL

HPR46/72A

REFRIGERATED PREP TABLE WITH RAISED RAIL

TEMPGUARD® Self-Contained Refrigerated Prep Table with EverCheck® Controls

HPR46/72A

11/09

Item # 13248

HPR46A DIMENSIONS

W x D x H

46 x 32.3 x 44.8*

*with 4" casters

HPR72A DIMENSIONS

W x D x H

72 x 32.3 x 44.8*

*with 4" casters



HPR46A

Shown with optional
cutting board

HPR72A

Shown with optional
cutting board

- Stainless steel interior and exterior top, front and sides with galvanized steel back and bottom for long life, durability and easy maintenance
- (1) heavy duty epoxy shelf per section is standard, mounted on stainless steel pilasters, shelves are adjustable in 1" increments
- Cabinet door perimeter heater provides condensation control in high humidity environments and is equipped with a back-up heater should the primary heater fail
- Cabinet walls and doors are insulated with 2³/₈" R-134A, CFC free, foamed-in-place polyurethane
- Equipped with 4" heavy duty casters (2 with brakes), standard
- Doors are constructed of high-grade stainless steel inside and out and are self-closing with a stay open feature at 105°
- Doors are standard with locks
- Stepped door design protects door gasket when product is removed from the cabinet; Snap in magnetic door gaskets are durable and easily removed
- Refrigerated rail is mechanically cooled, equipped with a 1" drain and utilizes low profile fans to circulate refrigerated air
- Rail will accommodate 1/6th, 1/3rd or full size pans 6" deep (Pans and adapter bars by others). Food pans are located 1" below front of rail and provide easier access than traditional raised rail prep tables
- One piece stainless steel rail cover is standard
- TempGuard's® EverCheck® controls monitor high and low temperatures, control board and sensor functions, clean filter and provide visual alarms to alert operator to possible problems
- Refrigeration system is equipped with solid state digital controls (Fahrenheit or Celsius display) for both the base and rail with a master on/off switch
- Exclusive "night switch" control setting allows over night product storage in rail with cover closed (Please note: Food product must be properly covered)
- High-efficiency, self-contained refrigeration system is designed to meet or exceed NSF Standard 7 performance requirements at 86°F ambient temperature
- Cabinet defrost cycles are time initiated - temperature terminated
- Removable, cleanable air filter protects condenser and reduces cleaning requirements
- Hot gas condensate evaporator is standard
- Units equipped with 8' - 6" cord and plug
- Refrigerant: R-404A with expansion valve controls



Warranty

Valid in United States, Canada, Puerto Rico, & U.S. Territories. Contact factory for warranty in other countries.

Two Year - Parts & Labor on entire machine.**Five Year** - Parts on: Compressor.

Hoshizaki

HPR46/72A REFRIGERATED PREP TABLE

DIMENSIONS
W x D x H
HPR46A
46" x 32.3" x 44.8"
*with 4" casters
HPR72A
72" x 32.3" x 44.8"
*with 4" casters

REFRIGERATED PREP TABLE

- 1 section refrigerated prep table
- 2 section refrigerated prep table

DIMENSIONS/CAPACITY

Model #	HPR46A	HPR72A
Interior Storage Capacity (CF)	8.5 ft ³	18.8 ft ³
Overall Width	46"	72"
Overall Depth	32.3"	32.3"
Height (including 4" casters)	44.8"	44.8"
Depth with Door open at 90°	56.8"	56.8"
Door Opening Width	22.5"	22.5"
Door Opening Height	24.3"	24.3"
Adjustable Shelves	1	2
Shelf Dimensions (W x D)	22.4" x 24.6"	22.4" x 24.6"
Crated Shipping Weight	373 lb	585 lb
Crated Height	51.8"	51.8"
Crated Width	50"	76"
Crated Depth	36.25"	36.25"

ELECTRICAL & REFRIGERATION DATA

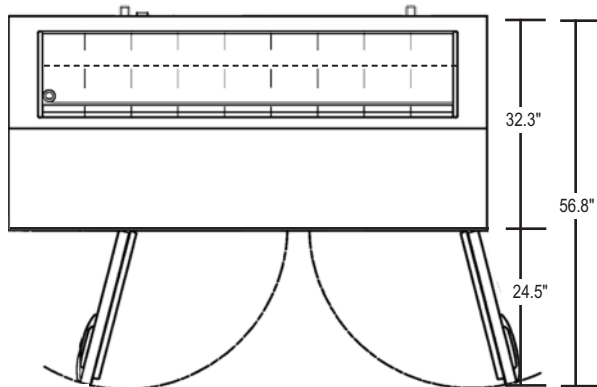
Model #	HPR46A	HPR72A
Voltage	115/60/1	115/60/1
Amperage	7.6	13.6
HACR Breaker	15.0	20.0
Electrical Connection (NEMA)	5 - 20P	5 - 20P
*Energy Consumption (kwh/day)	7.3	13.9
* Heat Rejection (BTU/Hr.)	1044	1976
Approximate Nominal Compressor BTU/Hr.(HP)	1280 (1/4HP)	4391 (5/8HP)
Voltage Range	104 - 126	104 - 126
Ambient Temp. Range	45° - 86°F	45° - 86°F
Control Setpoint Range (Base)	21° to 53°F	21° to 53°F
Control Setpoint Range (Rail)	-13° to 53°F	-13° to 53°F
*Refrigerant	R-404A	R-404A

* Based on 86°F ambient cycling at setpoint

OPTIONS

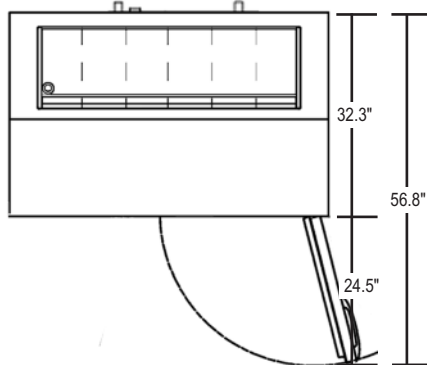
- 6" Legs
- Tray pan rack slides (accommodates 18" x 26" pans)
- Reversible door hinging (factory modification)
- Additional epoxy shelves
- 1/2" thick polyurethane cutting board

RAIL CAPACITY - (18) 1/6 SIZE PANS 6" DEEP
(Pans and Adapter Bars by Others)

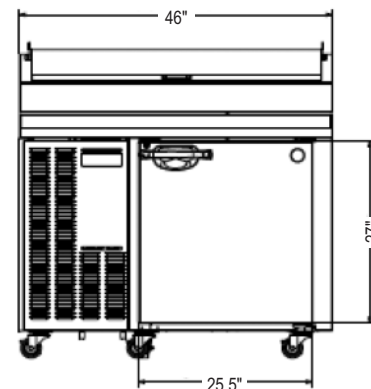


TOP VIEW - HPR72A

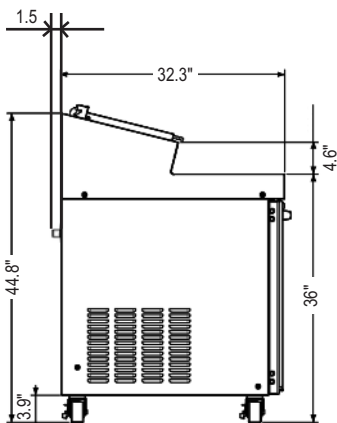
RAIL CAPACITY - (12) 1/6 SIZE PANS 6" DEEP
(Pans and Adapter Bars by Others)



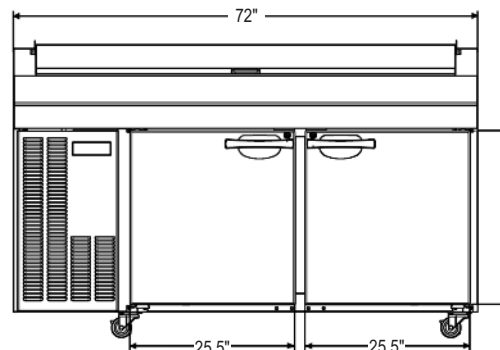
TOP VIEW - HPR46A



FRONT VIEW - HPR46A



SIDE VIEW



FRONT VIEW - HPR72A

