



KM-1301S_H(3)


STACKABLE ICE CUBER





KM-1301S_H(3)
03/30/17
Item # 13232

Item #: _____
Project: _____
Qty: _____
AIA#: _____

Features

- ▶ Individual crescent cube
- ▶ Stainless steel evaporator
- ▶ CycleSaver™ design 

- Up to 1353 lbs. of ice production per 24 hours
- Stackable for 2706 lbs. per 24 hours ice production in the same floor space
- Durable stainless steel exterior
- Protected by H-Guard Plus  Antimicrobial Agent
- EverCheck™ alert system 
- Removable air filters (Air-cooled model only)
- R-404A Refrigerant

Available on Bins:

B-800 **B-1150SS** **B-1500SS** *Top kit may be required.*
B-900 **B-1300SS** **B-1650SS** *See Bin Spec Sheets.*

Warranty:

3 Year Parts & Labor on entire machine. 5 Year Parts & Labor on Evaporator. 5 Year Parts on Compressor; air-cooled condenser coil. Valid in United States, Canada, Puerto Rico and U.S. Territories. Contact factory for warranty in other countries.



W x D x H
48" x 27^{3/8}" x 27^{3/8}"

KM-1301SAH
Air-Cooled 1 Phase

KM-1301SWH
Water-Cooled 1 Phase
Shown on optional bin B-900

KM-1301SRH ★
Remote Air-Cooled 1 Phase

KM-1301SAH3 ★
Air-Cooled 3 Phase

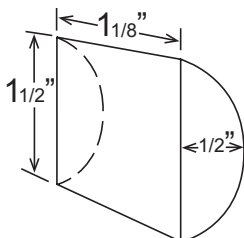
KM-1301SWH3
Water-Cooled 3 Phase

KM-1301SRH3 ★
Remote Air-Cooled 3 Phase



	Condenser	Model	ICE PRODUCTION				WATER USAGE			ELECTRICAL			Heat Rejection BTU/hr.	Shipping Weight	ENERGY STAR®
			Air / Water Temp Lbs. per 24 hours 70°/ 50°F	90°/ 70°F	Per Cycle Lbs.	Cubes	Potable Gal. per 100 lbs. 90°/ 70°F	Condenser Gal. per 100 lbs. 90°/ 70°F	kWh Used per 100 lbs. 90°/ 70°F	Max. Fuse Size or HACR Circuit Breaker	Amperage	Voltage			
1 Phase	Air-Cooled	KM-1301SAH	1329	1164	29.8	1440	15.7	N/A	4.63	20A	12.4A	208-230V/60/1	20,300	315 lbs.	
	Water-Cooled	KM-1301SWH	1290	1276	31.5	1440	19.6	124	3.44	20A	8.2A	208-230V/60/1	17,200	315 lbs.	
	Remote Air-Cooled	KM-1301SRH	1353	1222	31.1	1440	16.6	N/A	4.1	20A	13.5A	208-230V/60/1	17,600	315 lbs.	★
3 Phase	Air-Cooled	KM-1301SAH3	1298	1159	30.4	1440	15.6	N/A	4.6	20A	9.5A	208-230V/60/3	20,200	315 lbs.	★
	Water-Cooled	KM-1301SWH3	1248	1251	30.3	1440	20.5	130	3.31	20A	6.1A	208-230V/60/3	16,200	315 lbs.	
	Remote Air-Cooled	KM-1301SRH3	1339	1197	30.7	1440	16.0	N/A	4.3	20A	10.7A	208-230V/60/3	17,500	315 lbs.	★

KM Cube Dimensions*



* approximate size in inches, image not to scale

Operating Limits

- Ambient Temp Range 45 - 100°F
- Water Temp Range 45 - 90°F
- Water Pressure 10 - 113 PSIG
- Voltage Range 187 - 253V

Service

- Panels easily removed and all components accessible for service.
- Allow 6" (15cm) clearance at rear, sides, and top for proper air circulation and ease of maintenance/service.

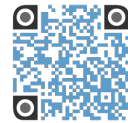
Plumbing

- Icemaker Water Supply Line: Minimum 3/8" Nominal ID Copper Water Tubing or Equivalent
 - Icemaker Drain Line: Minimum 3/4" Nominal ID Hard Pipe or Equivalent
- Water-Cooled Model (Lines Must Be Independent of Icemaker)
- Condenser Water Supply Line: Minimum 3/8" Nominal ID Copper Water Tubing or Equivalent
 - Condenser Drain/Return Line: Minimum 3/8" Nominal ID Hard Pipe (open drain system) or Copper Water Tubing (closed loop system) or Equivalent



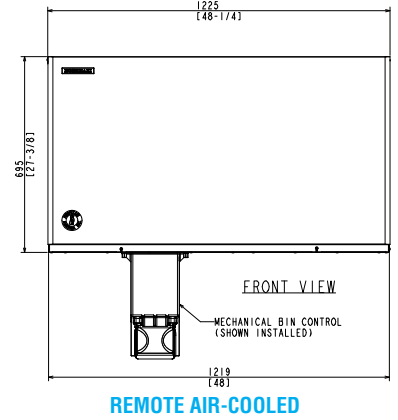
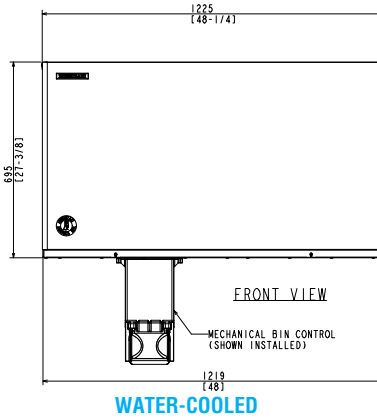
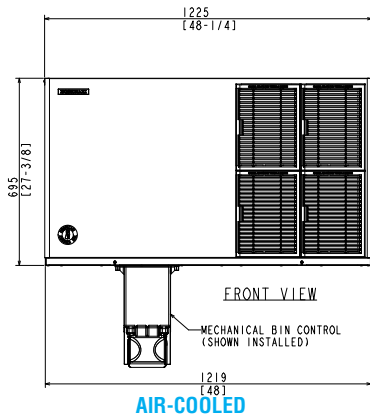
KM-1301S_H(3)

STACKABLE ICE CUBER

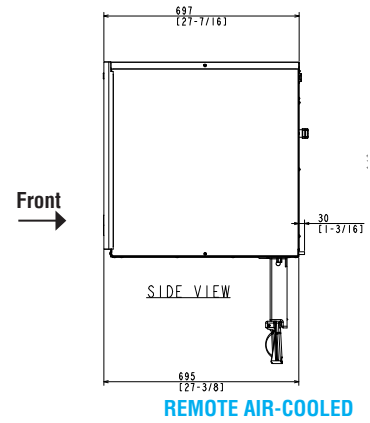
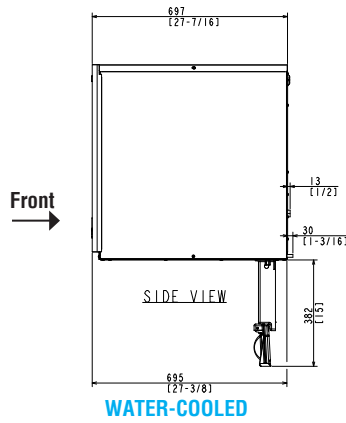
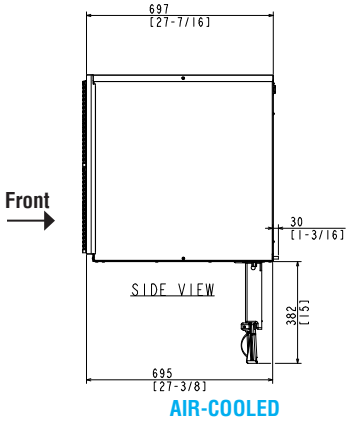


KM-3101S_H(3)
03/30/17
Item # 13232

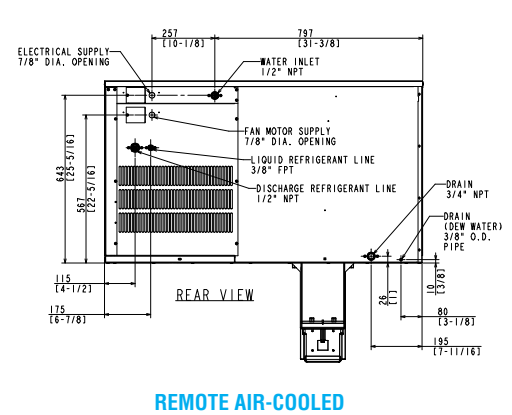
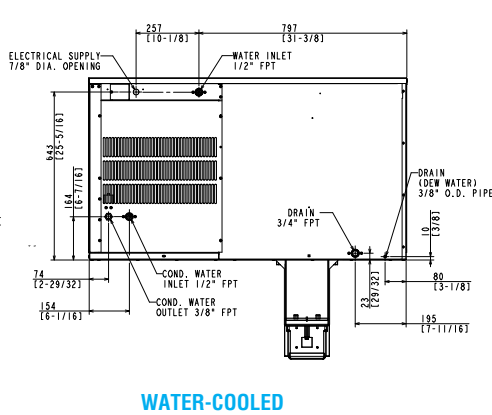
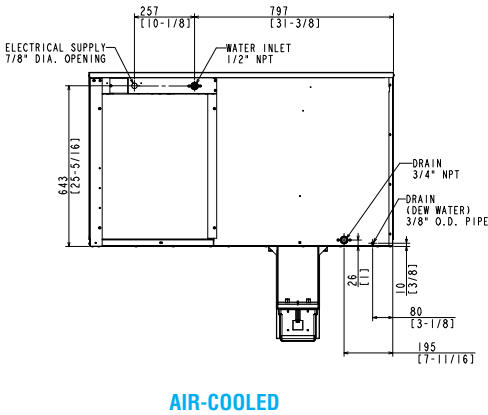
FRONT VIEW



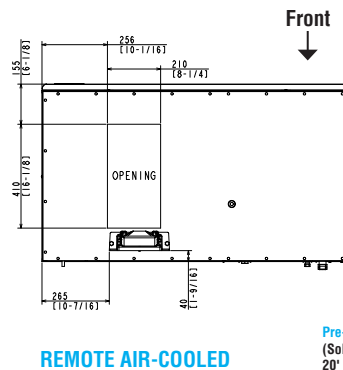
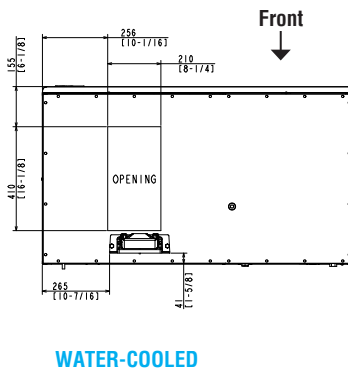
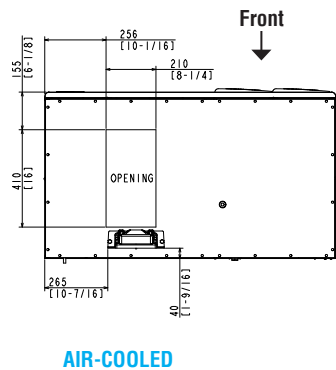
SIDE VIEW



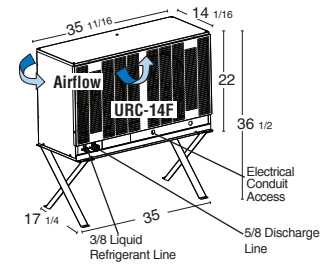
BACK VIEW



BOTTOM VIEW



URC-14F Remote Condenser (Sold Separately)
For Use with KM-1301SRH(3)



Pre-Charged Tubing Kits
(Sold Separately)
20' R404-2068-2
35' R404-3568-2
55' R404-5568-2



Voltage supply for the URC Remote Condenser is supplied from the Ice Maker. No additional circuit is required.