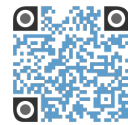




KM-1601S_H(3)

STACKABLE CRESCENT CUBER



KM-1601S_H(3)
03/31/17
Item # 13204

W x D x H
48" x 27^{3/8}" x 27^{3/8}"

KM-1601SAH ★
Air-Cooled 1 Phase

KM-1601SWH
Water-Cooled 1 Phase

KM-1601SRH ★
Remote Air-Cooled 1 Phase

KM-1601SAH3 ★
Air-Cooled 3 Phase

KM-1601SWH3
Water-Cooled 3 Phase

KM-1601SRH3
Remote Air-Cooled 3 Phase
Shown on optional bin: B-900



Item #: _____
Project: _____
Qty: _____
AIA#: _____

Features

▶ Individual crescent cube

▶ Stainless steel evaporator

▶ CycleSaver™ design

- Up to 1565 lbs. of ice production per 24 hours
- Stackable for 3130 lbs. per 24 hours ice production in the same floor space
- Durable stainless steel exterior
- Protected by H-Guard Plus Antimicrobial Agent
- EverCheck™ alert system
- R-404A Refrigerant

Available on Bins:

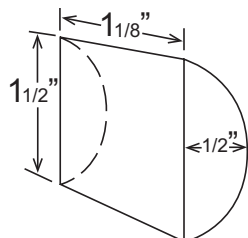
B-800 **B-1150SS** **B-1500SS** *Top kit may be required.*
B-900 **B-1300SS** **B-1650SS** *See Bin Spec Sheets.*

Warranty:

Valid in United States, Canada, Puerto Rico and U.S. Territories. Contact factory for warranty in other countries.

	Condenser	Model	ICE PRODUCTION				WATER USAGE			ELECTRICAL			Heat Rejection BTU/hr.	Shipping Weight	ENERGY STAR®
			Air / Water Temp Lbs. per 24 hours 70°/ 50°F	90°/ 70°F	Per Cycle Lbs.	Cubes	Potable Gal. per 100 lbs. 90°/ 70°F	Condenser Gal. per 100 lbs. 90°/ 70°F	kWh Used per 100 lbs. 90°/ 70°F	Max. Fuse Size or HACR Circuit Breaker	Amperage	Voltage			
1 Phase	Air-Cooled	KM-1601SAH	1462	1343	31.4	1440	17.0	N/A	4.7	20A	15.0A	208-230V/60/1	23,800	315 lbs.	
	Water-Cooled	KM-1601SWH	1505	1500	31.0	1440	27.7	111	3.91	20A	13.4A	208-230V/60/1	24,600	360 lbs.	
	Remote Air-Cooled	KM-1601SRH	1531	1490	31.6	1440	23.6	N/A	4.36	20A	12.8A	208-230V/60/1	26,500	350 lbs.	
3 Phase	Air-Cooled	KM-1601SAH3	1456	1345	32.5	1440	18.5	N/A	4.65	20A	12.0A	208-230V/60/3	23,700	315 lbs.	
	Water-Cooled	KM-1601SWH3	1555	1565	30.2	1440	23.8	100	3.66	20A	9.0A	208-230V/60/3	25,100	360 lbs.	
	Remote Air-Cooled	KM-1601SRH3	1530	1498	32.1	1440	23.2	N/A	4.46	20A	7.9A	208-230V/60/3	25,700	350 lbs.	

KM Cube Dimensions*



* approximate size in inches, image not to scale

Operating Limits

- Ambient Temp Range 45 - 100°F
- Water Temp Range 45 - 90°F
- Water Pressure 10 - 113 PSIG
- Voltage Range 187 - 253V

Service

- Panels easily removed and all components accessible for service.
- Allow 6" (15 cm) clearance at rear, sides, and top for proper air circulation and ease of maintenance/service.

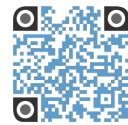
Plumbing

- Icemaker Water Supply Line: Minimum 3/8" Nominal ID Copper Water Tubing or Equivalent
- Icemaker Drain Line: Minimum 3/4" Nominal ID Hard Pipe or Equivalent
- Water-Cooled Model (Lines Must Be Independent of Icemaker)
- Condenser Water Supply Line: Minimum 3/8" Nominal ID Copper Water Tubing or Equivalent
- Condenser Drain/Return Line: Minimum 3/8" Nominal ID Hard Pipe (open drain system) or Copper Water Tubing (closed loop system) or Equivalent



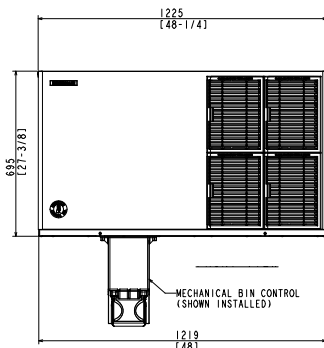
KM-1601S_H(3)

STACKABLE CRESCENT CUBER

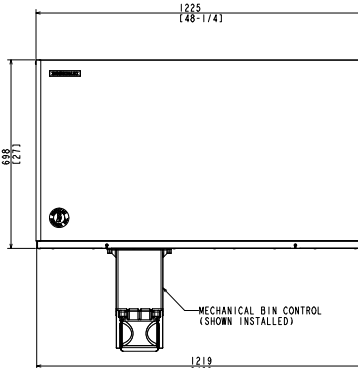


KM-1601S_H(3)
03/31/17
Item # 13204

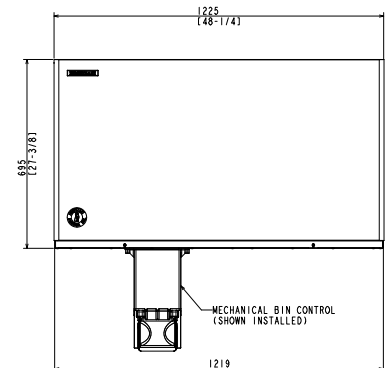
FRONT VIEW



AIR-COOLED

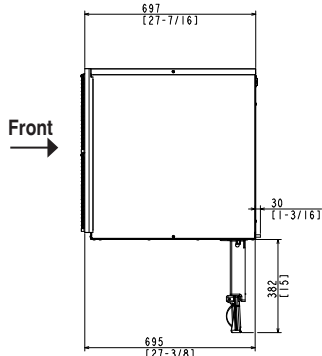


WATER-COOLED

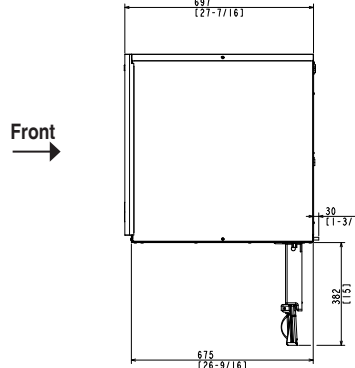


REMOTE AIR-COOLED

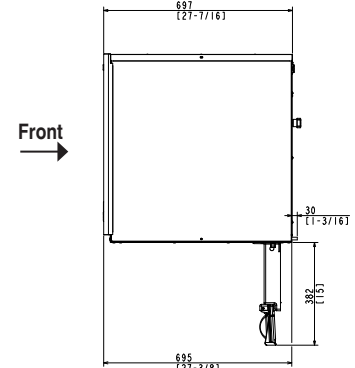
SIDE VIEW



AIR-COOLED

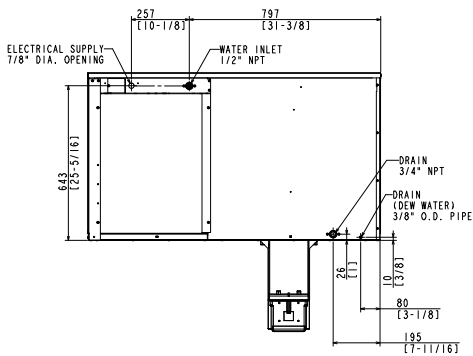


WATER-COOLED

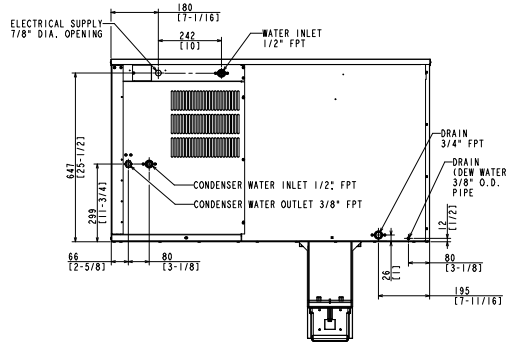


REMOTE AIR-COOLED

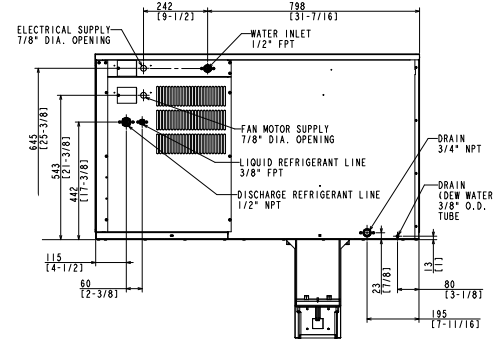
REAR VIEW



AIR-COOLED

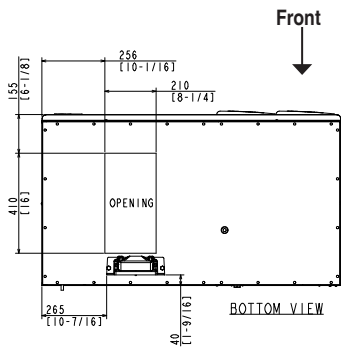


WATER-COOLED

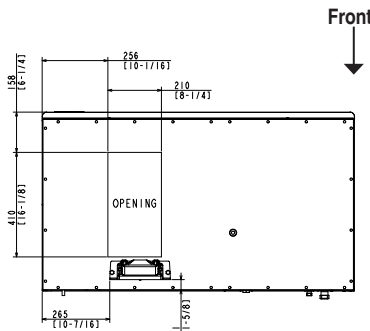


REMOTE AIR-COOLED

BOTTOM VIEW

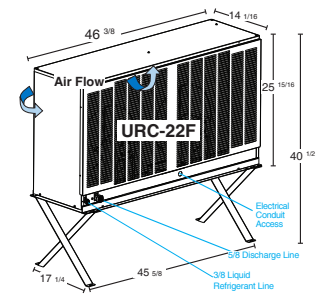


AIR-COOLED
WATER-COOLED



REMOTE AIR-COOLED

URC-22F Remote Condenser (Sold Separately)
(W x D x H) 46 3/8 X 14 1/16 X 40 1/2
For Use with KM-1601SRH(3)



Pre-Charged Tubing Kits (Sold Separately)
20' R404-20610
35' R404-35610
55' R404-55610



Voltage supply for the URC Remote Condenser is supplied from the Ice Maker. No additional circuit is required.