



KM-2500S_H3

3 PHASE STACKABLE ICE CUBER



KM-2500S_H3
03/31/17
Item # 13246

W x D x H
48" x 27^{3/8}" x 36^{7/16}"

KM-2500SWH3
Water-Cooled 3 Phase
Shown on optional bin: B-900

KM-2500SRH3
Remote Air-Cooled 3 Phase



Item #: _____
Project: _____
Qty: _____
AIA#: _____

Features

▶ Individual crescent cube

▶ Stainless steel evaporator

▶ CycleSaver™ design

- Up to 2429 lbs. of ice production per 24 hours
- Stackable for 4858 lbs. per 24 hours ice production in the same floor space
- Durable stainless steel exterior
- Protected by H-GUARD Plus® Antimicrobial Agent
- EverCheck™ alert system
- R-404A Refrigerant

Available on Bins:

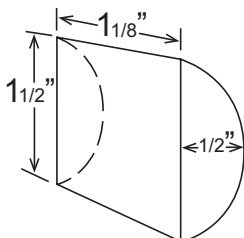
B-800 **B-1150SS** **B-1500SS** *Top kit may be required.*
B-900 **B-1300SS** **B-1650SS** *See Bin Spec Sheets.*

Warranty:

Valid in United States, Canada, Puerto Rico and U.S. Territories.
Contact factory for warranty in other countries.

Condenser	Model	ICE PRODUCTION				WATER USAGE			ELECTRICAL			Heat Rejection BTU/hr.	Shipping Weight	ENERGY STAR®	
		Air / Water Temp Lbs. per 24 hours		Per Cycle		Potable Gal. per 100 lbs.	Condenser Gal. per 100 lbs.	kWh Used per 100 lbs.	Max. Fuse Size or HACR Circuit Breaker	Amperage	Voltage				
		70°/50°F	90°/70°F	Lbs.	Cubes	90°/70°F	90°/70°F	90°/70°F							
3 Phase	Water-Cooled	KM-2500SWH3	2429	2365	47.1	2160	17.2	127	3.54	30A	14.2A	208-230V/60/3	33,200	415 lbs.	
	Remote Air-Cooled	KM-2500SRH3	2424	2235	46.1	2160	18.6	N/A	4.50	30A	17.7A	208-230V/60/3	40,600	440 lbs.	

KM Cube Dimensions*



* approximate size in inches, image not to scale

Operating Limits

- Ambient Temp Range 45 - 100°F
- Water Temp Range 45 - 90°F
- Water Pressure 10 - 113 PSIG
- Voltage Range 187 - 253V

Service

- Panels easily removed and all components accessible for service.
- Allow 6" (15 cm) clearance at rear, sides, and top for proper air circulation and ease of maintenance/service.

Plumbing

- Icemaker Water Supply Line: Minimum 3/8" Nominal ID Copper Water Tubing or Equivalent
- Icemaker Drain Line: Minimum 3/4" Nominal ID Hard Pipe or Equivalent
- Water-Cooled Model (Lines Must Be Independent of Icemaker)
- Condenser Water Supply Line: Minimum 3/8" Nominal ID Copper Water Tubing or Equivalent
- Condenser Drain/Return Line: Minimum 3/8" Nominal ID Hard Pipe (open drain system) or Copper Water Tubing (closed loop system) or Equivalent



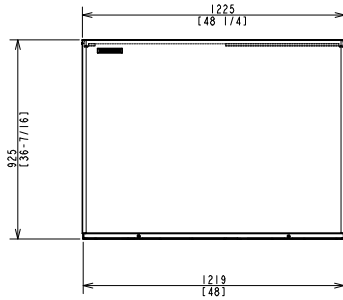
KM-2500S_H3

3 PHASE STACKABLE ICE CUBER

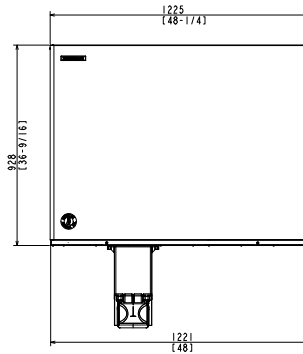


KM-2500S_H3
03/31/17
Item # 13246

FRONT VIEW

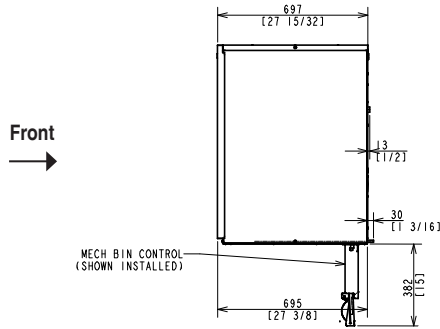


WATER-COOLED

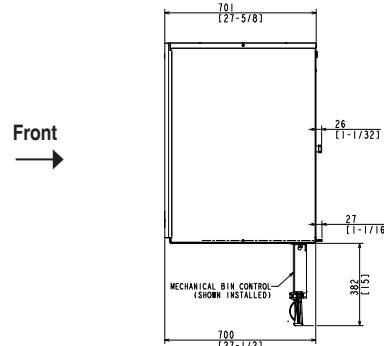


REMOTE AIR-COOLED

SIDE VIEW

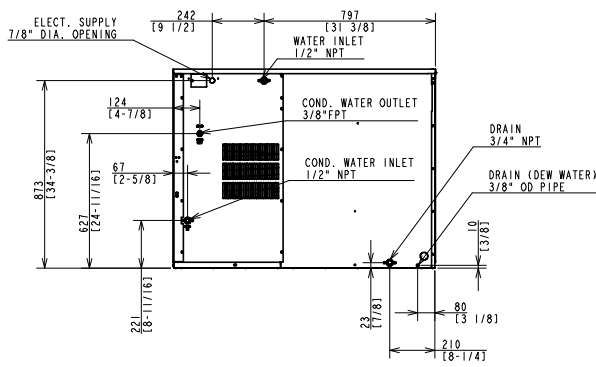


WATER-COOLED

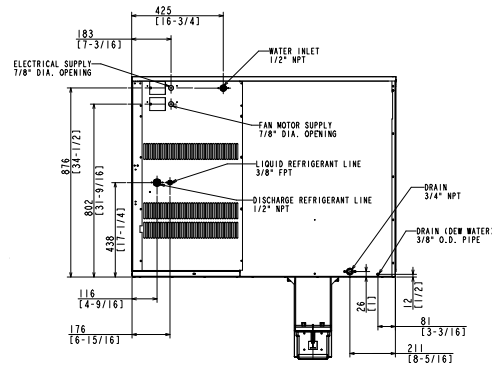


REMOTE AIR-COOLED

REAR VIEW

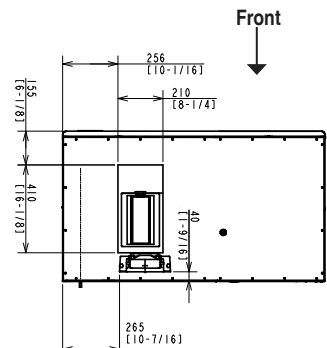


WATER-COOLED

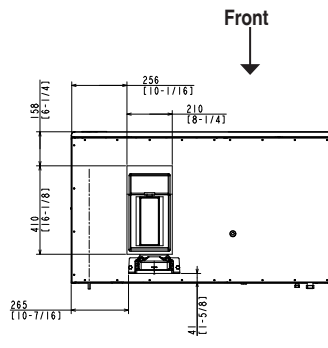


REMOTE AIR-COOLED

BOTTOM VIEW

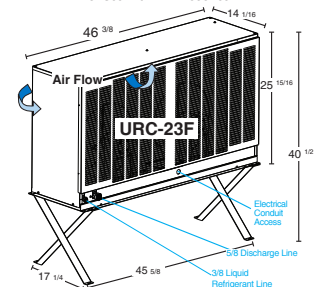


WATER-COOLED



REMOTE AIR-COOLED

URC-23F Remote Condenser (Sold Separately)
(W x D x H) 46^{3/8} X 14^{1/16} X 40^{1/2}
For Use with KM-2100SRJ3



Pre-Charged Tubing Kits (Sold Separately)
20' R404-20610
35' R404-35610
55' R404-55610



Voltage supply for the URC Remote Condenser is supplied from the Ice Maker. No additional circuit is required.