



# KM-260B\_H

## SELF-CONTAINED CUBER WITH BUILT-IN STORAGE BIN



KM-260B\_H  
03/31/17  
Item # 13239

Item #: \_\_\_\_\_  
 Project: \_\_\_\_\_  
 Qty: \_\_\_\_\_  
 AIA#: \_\_\_\_\_

### Features

- ▶ Individual crescent cube
- ▶ Stainless steel evaporator
- ▶ CycleSaver™ design

- Up to 268 lbs. of ice production per 24 hours
- Up to 100 lbs. of built-in storage capacity
- Durable stainless steel exterior
- Ice bin opening is ADA compliant
- EverCheck™ alert system
- Removable air filter (Air-cooled model only)
- R-404A Refrigerant

#### Warranty:

3 Year Parts & Labor on entire machine. 5 Year Parts & Labor on Evaporator. 5 Year Parts on Compressor; air-cooled condenser coil. 1 Year - HS-5061 Drain Pump Assembly - Parts & Labor. Valid in United States, Canada, Puerto Rico and U.S. Territories. Contact factory for warranty in other countries.

**W x D x H**  
**30" x 28" x 39"\***  
 \*including 6" legs

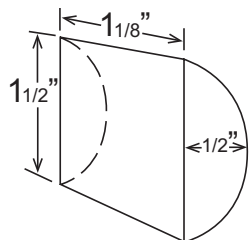
**KM-260BAH** ★  
 Air-Cooled  
 Shown

**KM-260BWH**  
 Water-Cooled



Condenser	Model	ICE PRODUCTION				WATER USAGE			ELECTRICAL			Heat Rejection BTU/hr.	Shipping Weight	ENERGY STAR®	
		Air / Water Temp Lbs. per 24 hours	Per Cycle	Potable Gal. per 100 lbs.	Condenser Gal. per 100 lbs.	kWh Used per 100 lbs.	Max. Fuse Size or HACR Circuit Breaker	Amperage	Voltage						
		70°/50°F	90°/70°F	Lbs.	Cubes	90°/70°F	90°/70°F	90°/70°F							
Air-Cooled	KM-260BAH	263	200	5.0	238	20.3	N/A	7.6	15A	7.6A	115V/60/1	3,500	204 lbs.	★	
Water-Cooled	KM-260BWH	268	237	5.0	238	26.3	121	6.4	15A	7.5A	115V/60/1	3,600	204 lbs.		

### KM Cube Dimensions\*



\* approximate size in inches, image not to scale

### Operating Limits

- Ambient Temp Range 45 - 100°F
- Water Temp Range 45 - 90°F
- Water Pressure 10 - 113 PSIG
- Voltage Range 104 - 127V

### Service

- Allow enough space at rear for water supply and drain connections, at least 12" (30 cm) clearance at front and at least 0.6" (15 mm) clearance at top for maintenance.

### Plumbing

- Icemaker Water Supply Line: Minimum 1/4" Nominal ID Copper Water Tubing or Equivalent
- Icemaker Drain Line: Minimum 3/4" Nominal ID Hard Pipe or Equivalent
- Water-Cooled Model (Lines Must Be Independent of Icemaker)
- Condenser Water Supply Line: Minimum 1/4" Nominal ID Copper Water Tubing or Equivalent
- Condenser Drain/Return Line: Minimum 1/4" Nominal ID Hard Pipe (open drain system) or Copper Water Tubing (closed loop system) or Equivalent



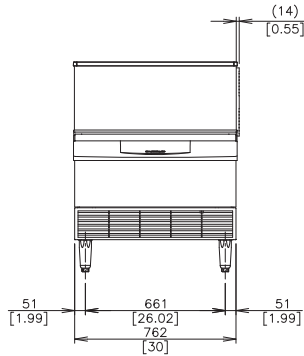
# KM-260B\_H

**SELF-CONTAINED CUBER  
WITH BUILT-IN STORAGE BIN**

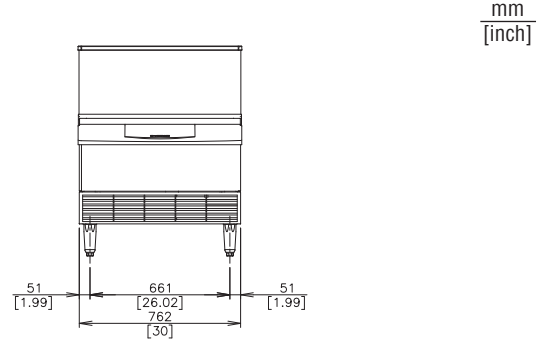


KM-260B\_H  
03/31/17  
Item # 13239

**FRONT VIEW**



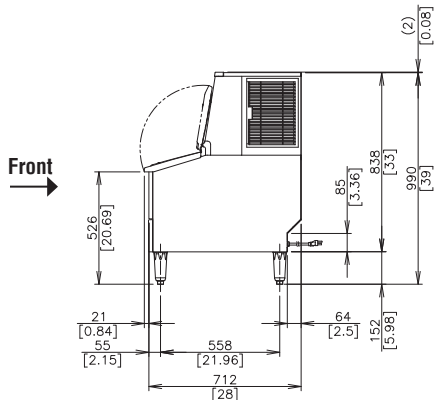
**AIR-COOLED**



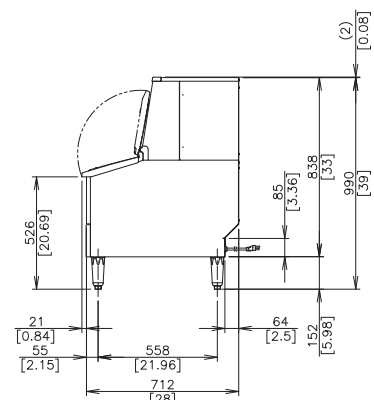
**WATER-COOLED**

mm  
[inch]

**SIDE VIEW**

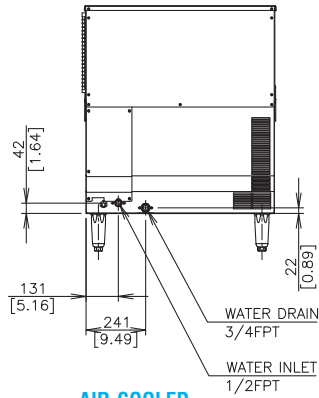


**AIR-COOLED**

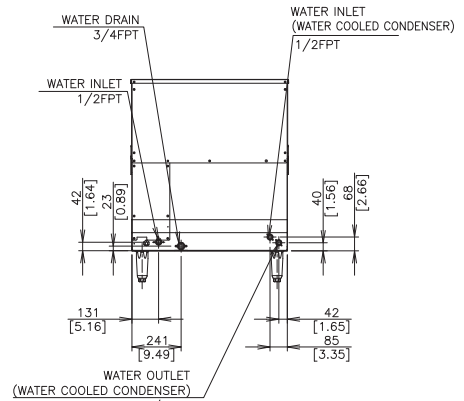


**WATER-COOLED**

**REAR VIEW**

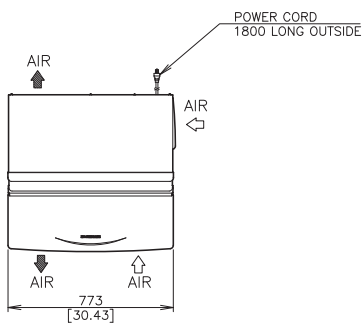


**AIR-COOLED**

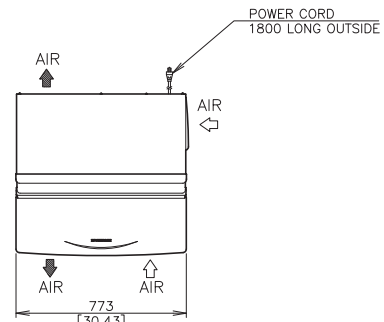


**WATER-COOLED**

**TOP VIEW**



**AIR-COOLED**



**WATER-COOLED**