



# KM-515M\_H-E

## SLIM-LINE MODULAR CRESCENT CUBER



KM-515M\_H-E  
6/28/16  
Item # 13125

Item #: \_\_\_\_\_  
 Project: \_\_\_\_\_  
 Qty: \_\_\_\_\_  
 AIA#: \_\_\_\_\_

**W x D x H**  
56 x 69.5 x 77 cm



**KM-515MAH-E**  
Air-Cooled  
Shown on optional bin B-300

### Features

- ▶ Individual crescent cube
- ▶ Stainless steel evaporator
- ▶ CycleSaver™ design

- Up to 233 kg of ice production per 24 hours
- Mount two units side-by-side for 466 kg per 24 hours
- Durable stainless steel exterior
- Protected by H-GUARD Plus Antimicrobial Agent
- EverCheck™ alert system
- R-404A Refrigerant

#### Available on Bins:

B-250PF B-700PF/SF B-1150SS B-1650SS DM-200B  
 B-300PF/SF B-800PF/SF B-1300SS DB-130H  
 B-500PF/SF B-900PF/SF B-1500SS DB-200H

*Top kit may be required. See Bin Spec Sheets.*

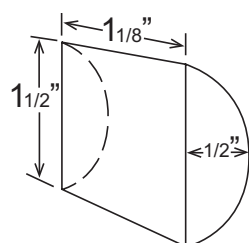
#### Warranty:

Call factory for warranty information.



Condenser	Model	ICE PRODUCTION				WATER USAGE			ELECTRICAL			Heat Rejection BTU/hr.	Shipping Weight	ENERGY STAR®
		Air / Water Temp kg per 24 hours		Per Cycle		Potable	Condenser	kWh Used	Max. Fuse Size or HACR Circuit Breaker	Amperage	Voltage			
		21°/10°C	32°/21°C	kg	Cubes	Liters per 45 kg 32°/21°C	Liters per 45 kg 32°/21°C	per 45 kg 32°/21°C						
Air-Cooled	KM-515MAH-E	233	185	4.6	480	100.3	N/A	7.1	15A	7.14A	220-240V/50/1	9,500	79 kg	

### KM Cube Dimensions\*



\* approximate size in inches, image not to scale

### Operating Limits

- Ambient Temp Range 7 - 38°C
- Water Temp Range 7 - 32°C
- Water Pressure 0.7 - 8 kg/cm<sup>2</sup>
- Voltage Range 198-254V

### Service

- Panels easily removed and all components accessible for service.
- Allow 15 cm clearance at rear, sides, and top for proper air circulation and ease of maintenance/service.

### Plumbing

- Icemaker Water Supply Line: Minimum 6 mm Nominal ID Copper Water Tubing or Equivalent
  - Icemaker Drain Line: Minimum 18 mm Nominal ID Hard Pipe or Equivalent
- Water-Cooled Model (Lines Must Be Independent of Icemaker)
- Condenser Water Supply Line: Minimum 6 mm Nominal ID Copper Water Tubing or Equivalent
  - Condenser Drain/Return Line: Minimum 6 mm Nominal ID Hard Pipe (open drain system) or Copper Water Tubing (closed loop system) or Equivalent



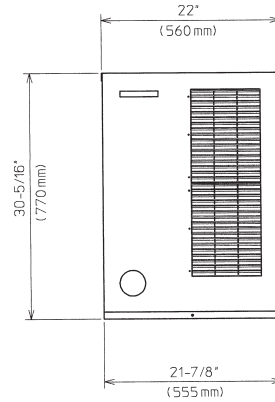
# KM-515M\_H-E

## SLIM-LINE MODULAR CRESCENT CUBER



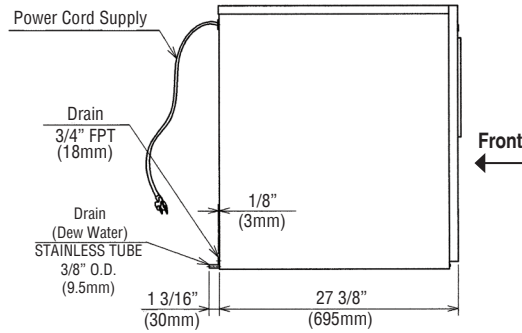
KM-515M\_H-E  
6/28/16  
Item # 13125

### FRONT VIEW



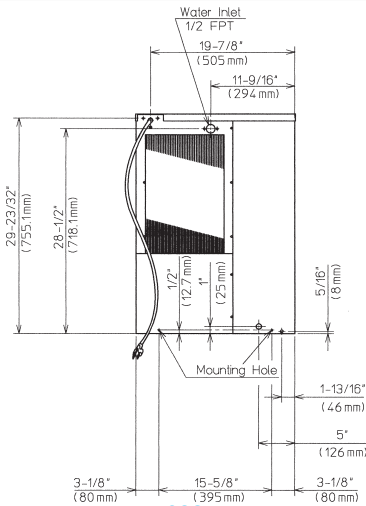
AIR-COOLED

### SIDE VIEW



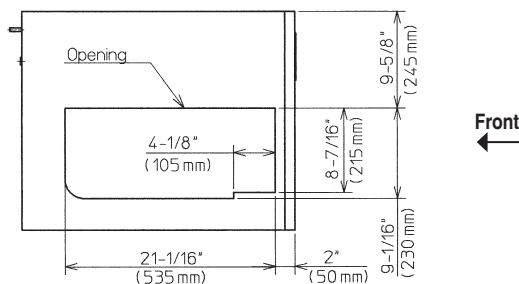
AIR-COOLED

### REAR VIEW



AIR-COOLED

### BOTTOM VIEW



AIR-COOLED